

# WET/DRY VACUUMS

**PWD 600**

**Gulper 600S**

**PWD 609**

**Gulper 609S**

**PWD 612**

**Gulper 612S**

**PWD 615**

**Gulper 615S**

## INTRODUCTION

## OPERATING & MAINTENANCE INSTRUCTIONS

---

### READ THIS BOOK

This operator's book has important information for the use and safe operation of this machine. Read this book carefully before starting the machine. Keep this book and tell all operators to read the book. If you do not follow the instructions, you can cause an injury or damage equipment, furniture or buildings.

For new books write to:

*Pacific*  
2259 S. Sheridan  
Muskegon, MI 49442-6252

Carefully inspect all components to ensure that there is no concealed freight damage. If such damage is discovered, file a "CONCEALED DAMAGE REPORT" immediately with the delivering carrier.

The contents of this manual are based on the latest product information available at the time of publication. Pacific Steamex reserves the right to make changes or improvements to its machines without notice.

### FOR YOUR CONVENIENCE, RECORD THE FOLLOWING IMPORTANT INFORMATION:

MODEL \_\_\_\_\_

SERIAL NUMBER \_\_\_\_\_

PART NUMBER \_\_\_\_\_

DATE PURCHASED \_\_\_\_\_

# IMPORTANT SAFETY INSTRUCTIONS

## READ AND UNDERSTAND ALL WARNINGS AND INSTRUCTIONS BEFORE USING THIS MACHINE!

### WARNING! To reduce the risk of fire, electric shock, or injury:

1. You must be trained to operate this machine. This machine is to be operated for its intended use only.
2. Do not operate this machine unless it is completely assembled.
3. Always use a three-wire electrical system connected to the electrical ground. For maximum protection against electrical shock, use a circuit that is protected by a ground fault circuit interrupter. Consult your electrical contractor.
4. To prevent electrical shock: Always remove the electrical plug from the electrical outlet before performing any repairs, maintenance or cleanup and when leaving the machine unattended.
5. To prevent electrical shock: Keep the machine surface dry; Do not subject to rain; Store the machine in a dry building area; Clean the machine with a dry cloth only.
6. Machines can cause an explosion when near flammable materials and vapors. Do not use or store this machine with or near fuels, grain dust, solvents, thinners, or other flammable materials. Do not use flammables to clean this machine.
7. Maintenance and repairs must be done by a qualified or authorized person.
8. If the machine is not working as it should, has been dropped, damaged, left outdoors, or dropped into water, return it to a service center.
9. To avoid damage to the machine's electrical cord, always lift the machine over the cord. Do not run the machine over the electrical cord.
10. Make sure all labels, decals, warnings, cautions and instructions are fastened to the machine.

## Grounding Instructions

This machine must be grounded. If it should malfunction or break down, grounding provides a path of least resistance for electric current to reduce the risk of electric shock. This machine is equipped with a cord having an equipment-grounding conductor and grounding plug. The plug must be inserted into an appropriate outlet that is properly installed and grounded in accordance with all local codes and ordinances.

**WARNING** - Improper connection of the equipment-grounding conductor can result in a risk of electric shock. Check with a qualified electrician or service person if you are in doubt as to whether the outlet is properly grounded. Do not modify the plug provided with the machine - if it will not fit the outlet, have a proper outlet installed by a qualified electrician.

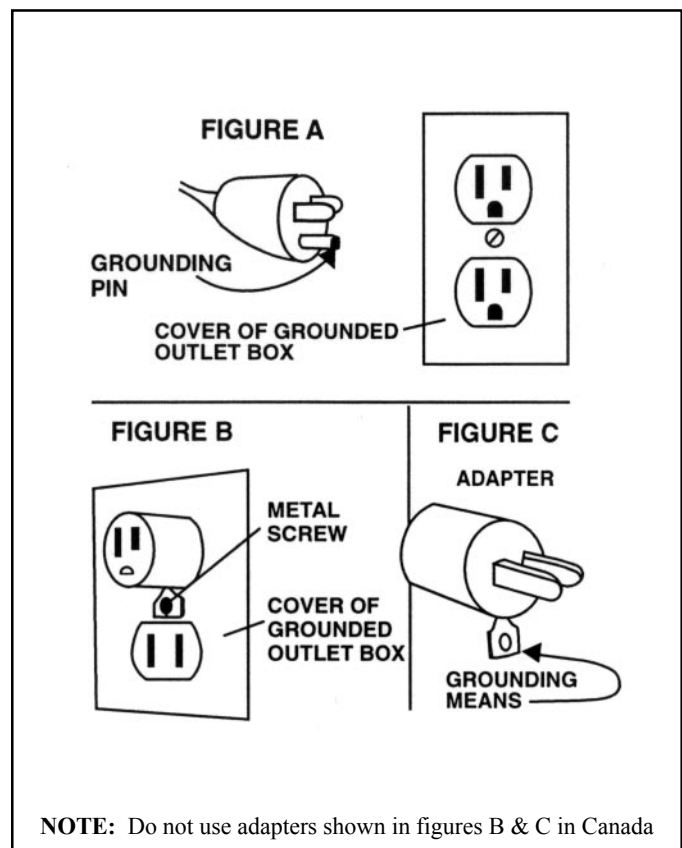
This machine is for use on a nominal 120-volt circuit, and has a grounded plug that looks like the plug illustrated in figure A. A temporary adapter that looks like the adapter illustrated in figures B and C may be used to connect this plug to a 2-pole receptacle as shown in figure B if a properly grounded outlet is not available. The temporary adapter should be used only until a properly grounded outlet (figure A) can be installed by a qualified electrician. The green colored rigid ear, lug, or the like extending from the adapter must be connected to a permanent ground such as a properly grounded outlet box cover. Whenever the adapter is used, it must be held in place by a metal screw.

*NOTE: In Canada, the use of a temporary adapter is not permitted by the Canadian Electrical Code*

### EXTENSION CORDS

Use only three-wire 16/3 or larger gauge approved extension cords that have three-prong grounding type plugs and three-pole receptacles that accept the appliance's plug. Replace or repair any damaged cords or plugs.

When servicing, refer to authorized person only. Use only identical replacement parts.



# OPERATING PROCEDURES

---

**WARNING! For the safe operation of this machine follow the instructions given in this booklet and the training given by your supervisor. Failure to do so can result in personal injury and/or damage to machine and property!**

## **DO NOT OPERATE MACHINE IN AN EXPLOSIVE ENVIRONMENT!**

To prepare the machine for operation, make sure it is of the correct voltage and properly assembled. If in doubt, ask your supervisor.

## **FOR DRY PICK-UP:**

“Dry” refers to material such as dust, dirt, debris and dry foam shampoo.

1. Release the clamp on each side of the tank and head assembly. Lift the head assembly off and set it aside.
2. Then lift the cloth filter assembly out of the collector tank. Clean the cloth filter if needed (reference the “Maintenance” section).
3. Empty the collector tank of all dust and debris. If the debris is wet, empty and dry the inside of the tank thoroughly.
4. Place the cloth filter assembly back into the collector tank. Check for a good seal around the outer filter lip and tank rim.
5. Replace the head assembly and fasten both clamps. Attach the hose, wand and floor tool of choice (reference page 5).
6. Plug the power cord into a 115-volt, 60 cycle grounded outlet.
7. Turn the machine’s motor on by pressing the rocker switch which is located on the head assembly.

**WARNING! NEVER USE THIS MACHINE TO PICK UP VOLATILE OR EXPLOSIVE MATERIALS.**

## **FOR WET PICK-UP:**

“Wet” refers to liquids such as water, scrub solutions and detergents; **NOT VOLATILE OR EXPLOSIVE MATERIALS.**

1. Release the clamp on each side of the tank and head assembly. Lift the head assembly off and set it aside.
2. Then lift the cloth filter assembly out of the collector tank. Store the filter assembly for future, dry pick-up use. **DO NOT REINSTALL.**
3. Empty the collector tank of all dust and debris. Also wipe the inside of the collector tank to remove clinging dust.
4. Check the float shut-off device on the lower portion of the head assembly. The float should have free movement. When the recovered liquid soilage reaches the collector tank capacity, the float will rise to shut off the air flow, stopping the liquid recovery. This prevents damaging overflow and signals the operator when to empty the collector tank.
5. Replace the head assembly and fasten both clamps. Attach the hose, wand and floor tool of choice (reference page 5).
6. Plug the power cord into a 115-volt, 60 cycle grounded outlet.
7. Turn the machine’s motor on by pressing the rocker switch which is located on the head assembly.

# MAINTENANCE

---

Good maintenance procedures assure better operation, fewer repairs and longer life to your machine.

**DISCONNECT THE ELECTRICAL PLUG OF THE MACHINE FROM THE ELECTRICAL OUTLET BEFORE DOING ANY CLEANUP, REPAIRS OR MAINTENANCE OF THE MACHINE AND WHEN LEAVING THE MACHINE UNATTENDED.**

## **CLEAN THE MACHINE AFTER EACH USE:**

1. **Wipe the outside with a clean cloth.**
2. **Clean the collector tank:** Release the clamps on each side of the tank and head assembly. Lift the head assembly off and set aside. Lift the filter assembly out of the collector tank and set aside. Then wipe the inside of the collector tank with a clean cloth.
3. **Empty and check the filter assembly:** Empty the recovered soilage into a suitable container and shake to remove clinging dirt. Brush the outside of the filter bag to remove embedded dirt. Check the filter assembly for tears or holes; repair or replace if necessary. Install the clean filter assembly into the clean collector tank.

## **ELECTRICAL CABLE:**

Check the cord for any nicks, cuts or damage. Report these to your supervisor for correction.

## **VACUUM HEAD ASSEMBLY:**

1. **Gaskets:** Clean the vacuum head gasket and the float shut-off gasket.
2. **Float Shut-Off Device:** This should move freely. Remove any debris or strings from the float cage.
3. **Head Assembly:** Replace and leave ajar if the collector tank is damp to prevent mildew.

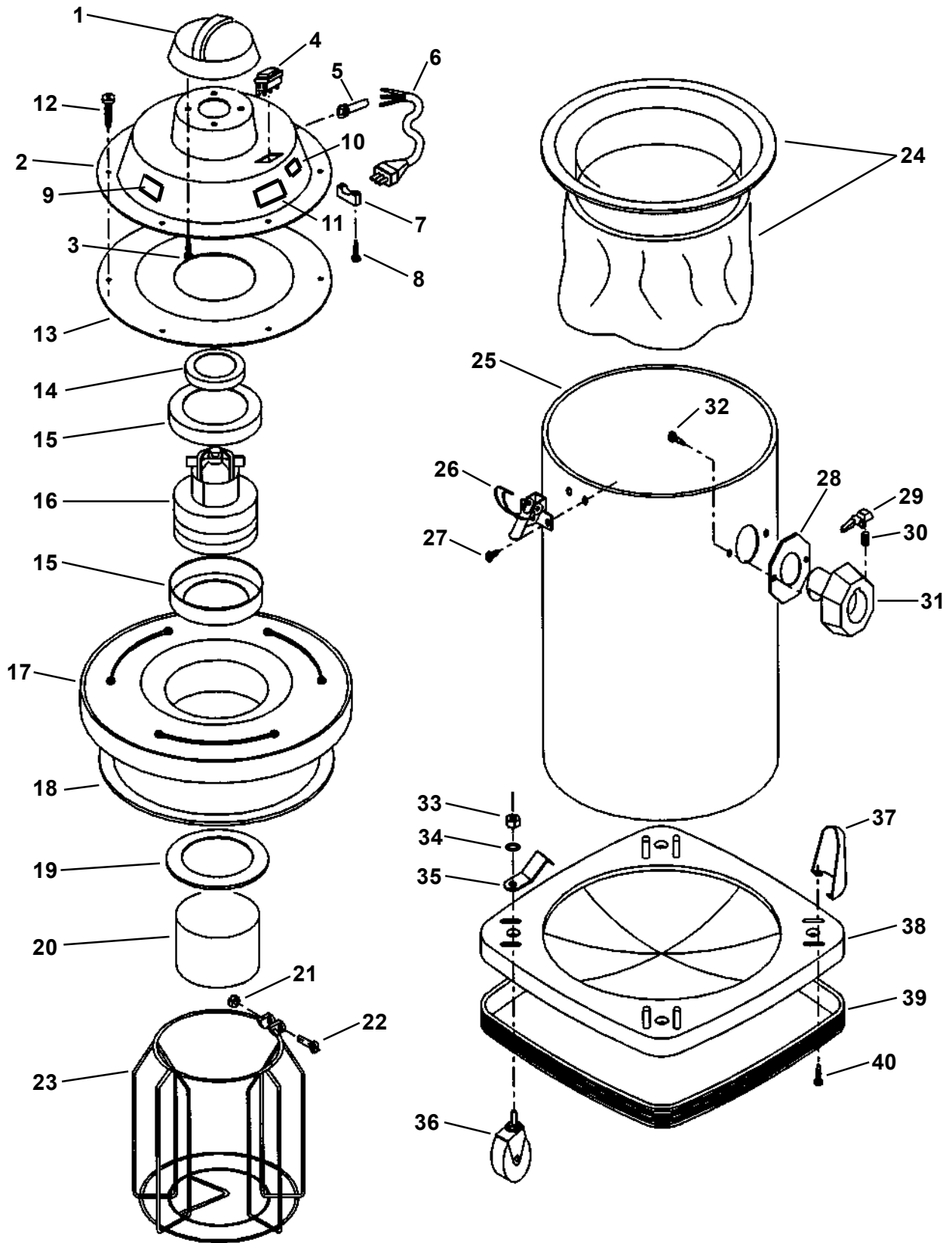
## **WHEELS AND CASTERS:**

Check these for cuts and nicks. Remove any strings or debris that may restrict the free movement of the wheels. Wipe the treads clean.

## **CARBON BRUSH INSPECTION:**

Check for wear at six month intervals or every 600 hours of operation. The carbon brushes must be replaced if worn shorter than 3/8 inch.

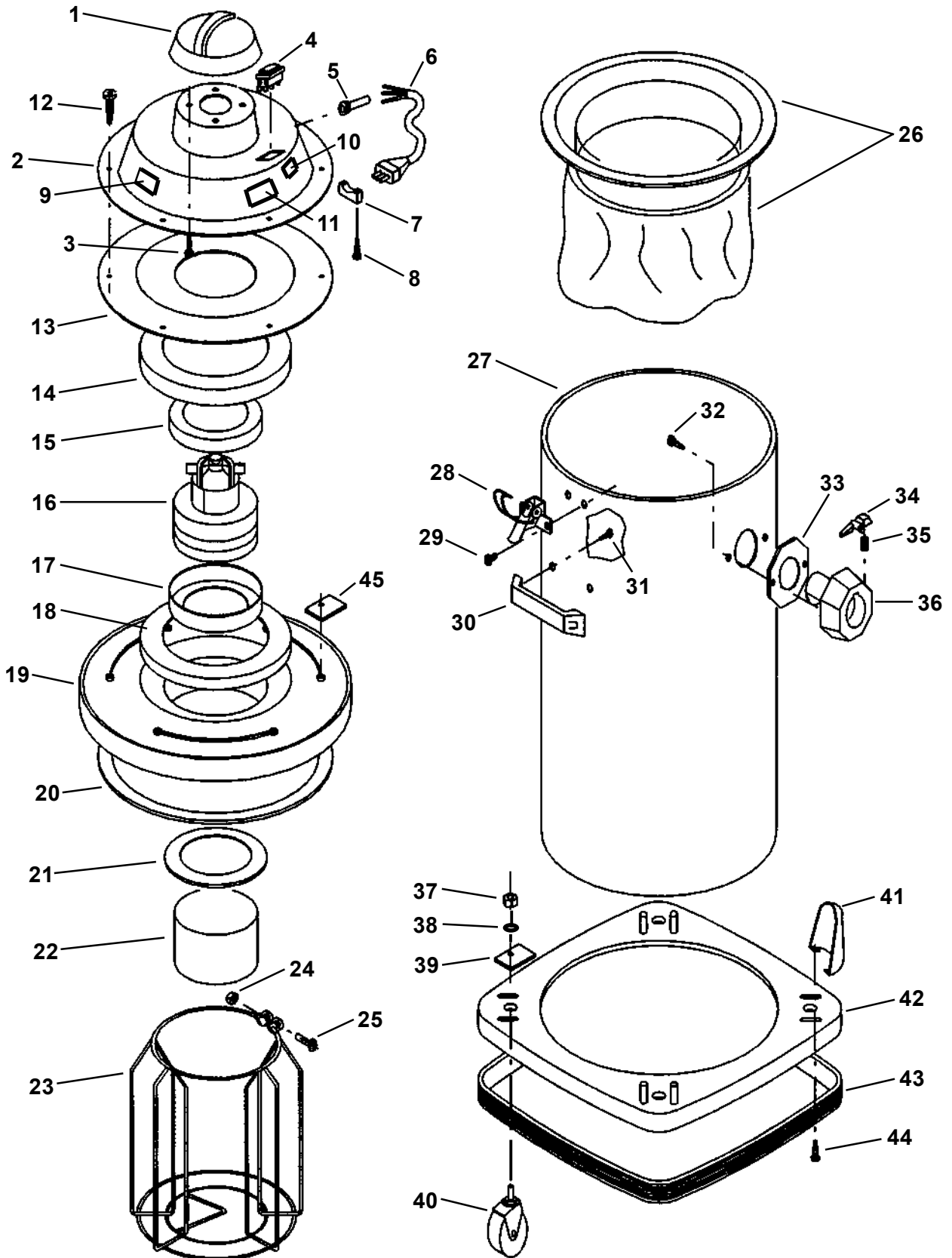
PWD 600 & 609  
Gulper 600S & 609S



**PWD 600 & 609  
Gulper 600S & 609S**

ITEM	PART NO.	DESCRIPTION	QTY.
1	601510	Cap, Dome	1
2	602310	Cover, Motor	1
3	964020	Screw, Cap	4
4	608010	Switch	1
5	608530	Strain Relief	1
6	908010	Cord Assembly	1
7	607210	Retainer, Cord	1
8	964021	Screw, Cord Retainer	2
9	606310	Lab- Watts/Voltage	1
10	515150	Label - Warning	1
11	606314	Label - Serial Number	1
12	964022	Screw, Motor Cover	6
13	600211	Adapter, Upper Motor	1
14	602771	Duct, Air Vent	1
15	603410	Gasket, Vac Motor	2
16	605210	Motor, Vacuum 115V	1
	605211	Motor, Vacuum 230V	1
	600903	Carbon Brush, Vac Mtr. (2 req'd/mtr)	2
17	600212	Adapter, Lower Motor	1
18	603411	Gasket, Lower Adapter	1
19	603412	Gasket, Float Shut-Off	1
20	603312	Float, Shut-Off	1
21	W106D	Nut, Float Cage	1
22	962120	Screw, Float Cage	1
23	602411	Cage, Float Shut-Off	1
24	600520	Adapter and Bag Assembly	1
25	608630	Tank, PWD-600	1
	608640	Tank, PWD-609	1
26	602010	Clamp, Lid	2
27	930001	Rivet, Clamp Lid	4
28	603415	Gasket, Plastic Coupler	1
	603425	Gasket, Foam Adaptor	1
29	607001	Pawl	1
30	608303	Spring	1
31	602415	Coupler, Tank	1
32	962112	Screw	2
33	924022	Nut, Caster	4
34	980008	Washer, Lock	4
35	607211	Retainer, Tank	4
36	609710	Caster	4
37	602311	Cover, Caster	4
38	601310	Base, Caster	1
39	601210	Bumper, Caster Base	1
40	964025	Screw, Caster Cover	8

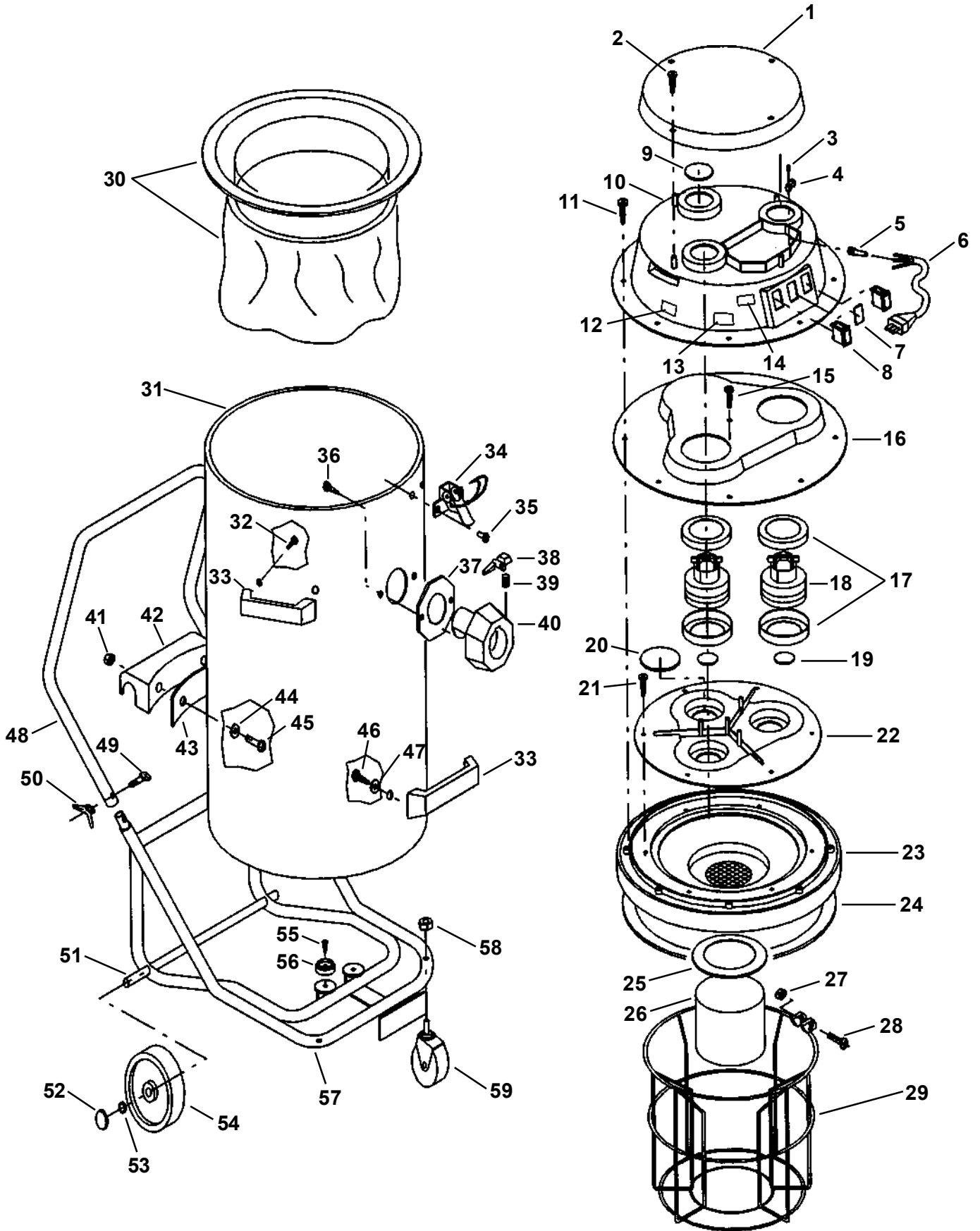
PWD 612  
Gulper 612S



**PWD 612  
Gulper 612S**

<b>ITEM</b>	<b>PART NO.</b>	<b>DESCRIPTION</b>	<b>QTY.</b>
1	601540	Cap, Dome	1
2	602340	Cover, Motor	1
3	964020	Screw, Cap	4
4	608010	Switch	1
5	608530	Strain Relief	1
6	908010	Cord Assembly	1
7	607210	Retainer, Cord	1
8	964021	Screw, Cord Retainer	2
9	606310	Lab- Watts/Voltage	1
10	515150	Label - Warning	1
11	606340	Label - Serial Number	1
12	964022	Screw, Motor Cover	8
13	600214	Adapter, Upper Motor	1
14	600216	Adapter, Middle Motor	1
15	603420	Gasket, Vac Motor	1
16	605210	Motor, Vacuum 115V	1
	605211	Motor, Vacuum 230V	1
	600903	Carbon Brush, Vac Mtr. (2 req'd/mtr)	2
17	603410	Gasket, Vac Motor	1
18		Gasket, Reduction	1
19	600215	Adapter, Lower Motor	1
20	603442	Gasket, Lower Adapter	1
21	603412	Gasket, Float Shut-Off	1
22	603312	Float, Shut-Off	1
23	602413	Cage, Float Shut-Off	1
24	W106D	Nut, Float Cage	1
25	962120	Screw, Float Cage	1
26	600530	Adapter and Bag Assembly	1
27	608650	Tank, PWD-612	1
28	602010	Clamp, Lid	2
29	930001	Rivet, Clamp Lid	4
30	603910	Handle	2
31	964026	Screw, Handle	4
32	962112	Screw	2
33	603415	Gasket, Plastic Coupler	1
	603425	Gasket, Foam Adaptor	1
34	607001	Pawl	1
35	608303	Spring	1
36	602415	Coupler, Tank	1
37	924022	Nut, Caster	4
38	980008	Washer, Lock	4
39	607211	Retainer, Tank	4
40	609720	Caster	4
41	602311	Cover, Caster	4
42	601320	Base, Caster	1
43	601220	Bumper, Caster Base	1
44	964025	Screw, Caster Cover	8

PWD 615  
Gulper 615S

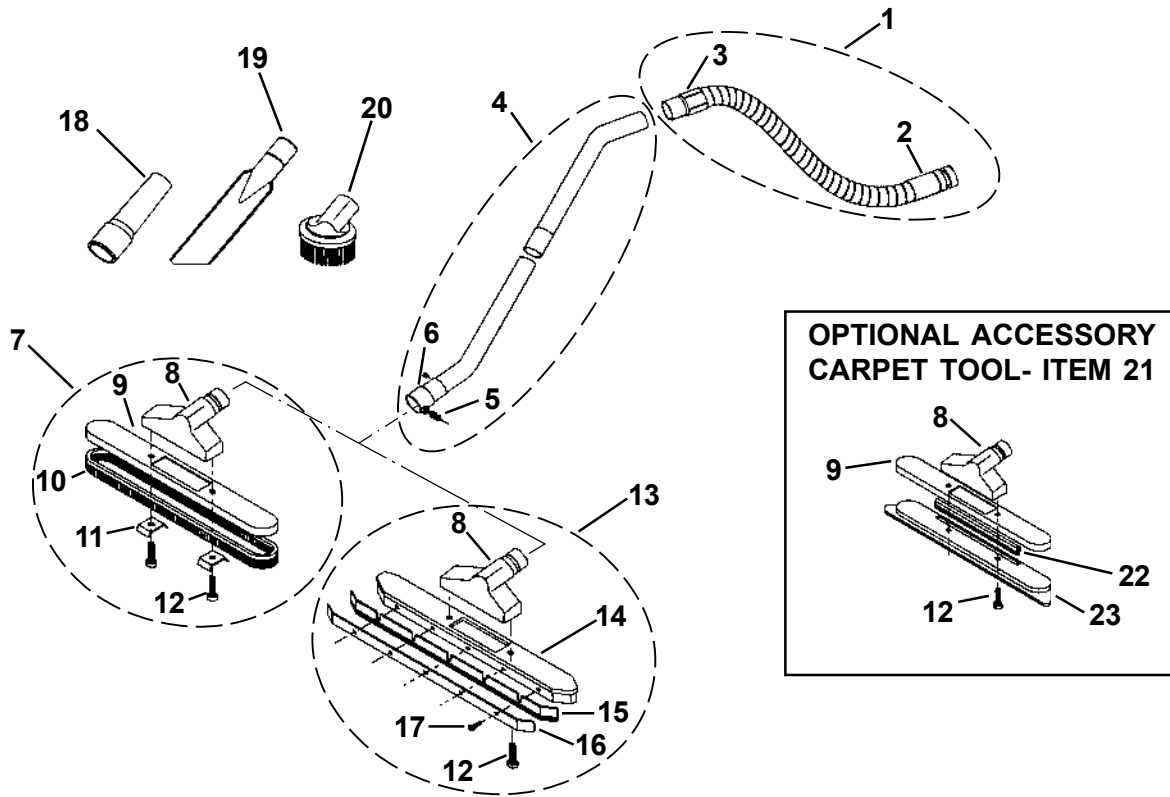




## PWD 615 and Gulper 615S

ITEM	PART NO.	DESCRIPTION	QTY.
1	601550	Cap, Dome	1
2	964022	Screw, Cap	4
3	964021	Screw, Strain Relief	1
4	607210	Retainer, Cord	1
5	608530	Strain Relief	1
6	908020	Cord Assembly	1
7	604610	Insert, Blank Switch	1
8	608010	Switch	2
9	604611	Insert, Blank Motor Cover	1
10	602350	Cover, Motor	1
11	964029	Screw, Motor Cover	8
12	606360	Label - Serial Number	1
13	606310	Lab- Watts/Voltage	1
14	515150	Label - Warning	1
15	964028	Screw, Upper Motor Adapter	4
16	600220	Adapter, Upper Motor	1
17	603410	Gasket, Vac Motor	1
18	605210	Motor, Vacuum 115V	2
	605211	Motor, Vacuum 230V	2
	600903	Carbon Brush, Vac Mtr. (2 req'd/mtr)	4
	605212	Motor, Vac.Acustek-UC-115V	2
	600904	Carbon Brush, 605212 Vac Mtr. (2 req'd/mtr)	4
19	604612	Spacer, Vac. Motor Intake	2
20	604613	Insert, Intake Blank	1
21	964020	Screw, Motor Adapter	6
22	600221	Adapter, Middle Motor	1
23	600222	Adapter, Lower Motor	1
24	603421	Gasket, Lower Adapter	1
25	603422	Gasket, Float Shut-Off	1
26	603312	Float Shut-Off	1
27	W106D	Nut, Float Cage	1
28	962120	Screw, Float Cage	1
29	602420	Cage, Float Shut-Off	1
30	600540	Adapter and Bag Assembly	1
31	608660	Tank, PWD-615	1
32	964026	Screw, Handle	4
33	603910	Handle	3
34	602010	Clamp, Lid	2
35	930001	Rivet, Clamp Lid	4
36	962112	Screw	2
37	603415	Gasket, Plastic Coupler	1
38	607001	Pawl	1
39	608303	Spring	1
40	602415	Coupler, Tank	1
41	920004	Nut	2
42	600810	Bracket, Tilt	1
43		Gasket, Bracket	1
44	980009	Washer	4
45	W156D	Screw, Tilt Bracket	2
46	964026	Screw, Handle	2
47	980010	Washer, Rubber-Handle	2
48	603920	Handle, Carriage	1
49	964031	Screw, Carriage Handle	2
50	924023	Nut-Wing	2
51	607710	Shaft, Wheel Axle	1
52	924022	Nut	2
53	507320	Snap Ring	2
54	609730	Wheel, Carriage	2
55	964032	Screw, Tank Support	2
56	608540	Support, Tank	2
57	601330	Base, Carriage	1
58	924022	Nut, Caster	2
59	609720	Wheel, Caster	2

## DELUXE TOOL KIT PART #608510

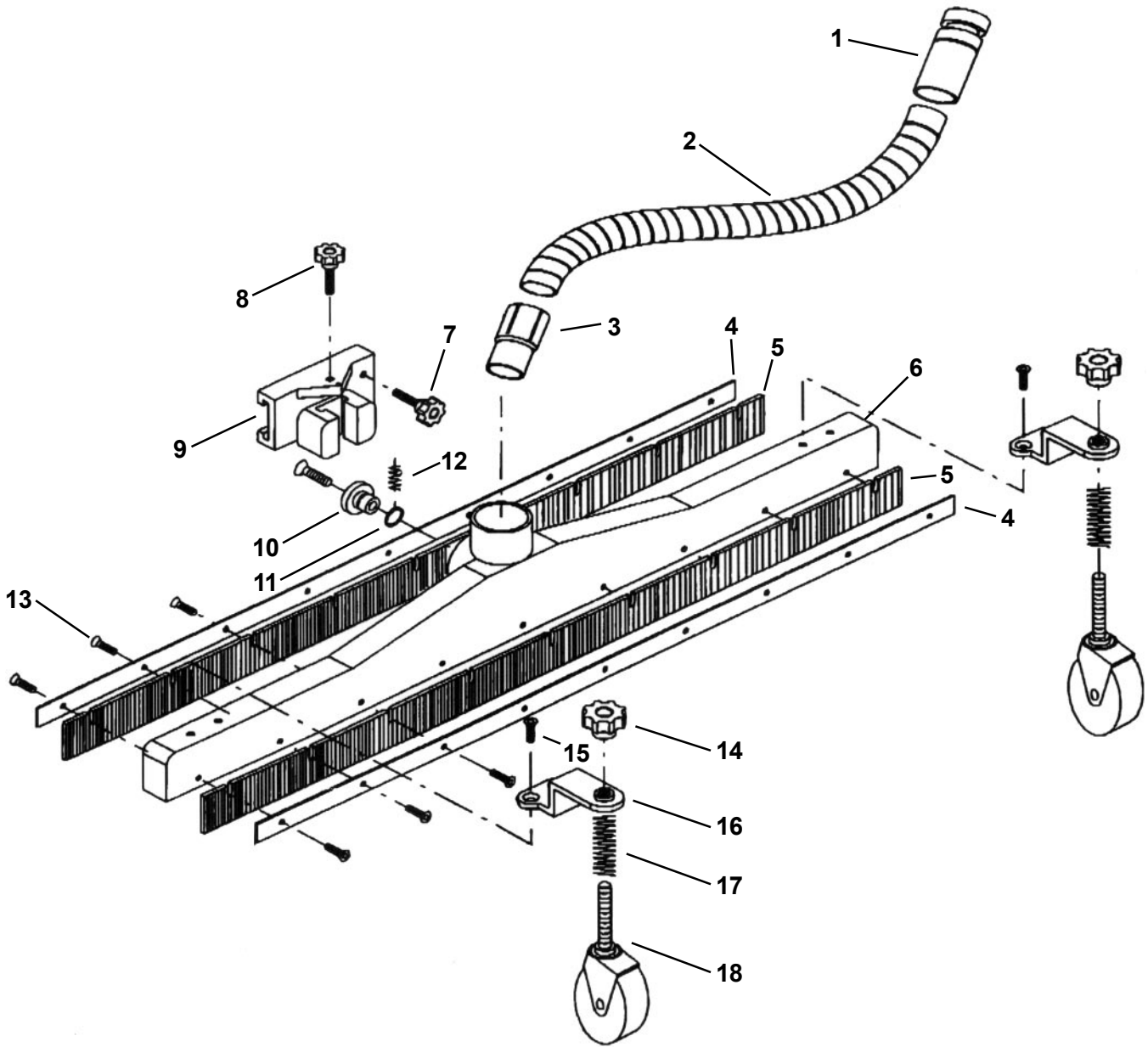


ITEM	PART NO.	DESCRIPTION	QTY.
1	604110	Hose Asm, w/Adapters	1
2	600206	Adapter, 1-1/2 Hose, Vac End	1
3	600205	Adaptor, 1-1/2 Hose, Wand End	1
4	609810	Wand Asm., with Adapter & Pin	1
	609813	Wand Half w/out Adapter (top half)	
	609809	Wand Half w/Adapter&Pin (bottom half)	
5	606710	Disconnect Pin Assembly	1
6	600204	Adapter, Wand	1
7	608810	16" Bristle Floor Tool Asm.	1
8	601803	Top Casting with Adapter	1
9	601804	Base Casting, Bristle Tool	1
10	600901	Brush, Bristle Tool	1
11	602011	Clamp, Brush	2
12	964022	Screw	2
13	608812	16" Squeegee Floor Tool Asm.	1
14	601802	Base Casting-Squeegee Tool	1
15	600701	Blade, Squeegee Pickup	2
16	607212	Retainer	2
17	962115	10-24x3/8 Self-Tapping Screw	5
18	600210	Tool Adapter, 1-1/4 to 1-1/2	1
19	608816	1-1/2" Crevice Tool	1
20	608820	3" Round Dusting Tool	1
<b>OPTIONAL:</b>			
21	608811	16" Carpet Tool Asm.	1
22	600902	Brush Strip	1
23	607901	Carpet Shoe	1

### TOOL KIT ASSEMBLY:

1. Connect the hose to the collector tank by inserting the large, grooved hose adapter end into the tank adapter. Pull the locking pin up to allow the hose adapter to slide further in. Release the locking pin to engage the large groove.
2. Insert the upper wand half firmly into the lower wand assembly. The dimple on the lower wand aligns with the groove of the upper half to assure a rigid fit.
3. Insert the wand end into the free end of the vacuum hose. Then fasten the proper floor tool to the wand by inserting the mating end of the floor tool into the adapter collar of the wand assembly. Pull the tool locking pin to allow total engagement of the adapter and tool. Release the pin to lock the tool to the wand.
4. The hand tools may also be used by inserting their adapter directly into the free end of the vacuum hose.
5. Tool Selection: Choosing the proper tool will give the best results. To vacuum dust and debris from floors or walls-select the bristle floor tool. To remove water, liquid waste, strip solution, etc. from hard surfaced floors-use the squeegee floor tool. When vacuuming carpets or rugs-choose the carpet tool.

## OPTIONAL SQUEEGEE ASSEMBLY PART #608519



ITEM	PART NO.	DESCRIPTION	QTY.
1	600206	Adapter, Hose	1
2	604112	Hose, without Cuffs	1
3	600205	Adapter, Hose	1
4	607213	Retainer, Squeegee Blade	2
5	600703	Blade, Squeegee	2
6	601805	Casting, Squeegee	1
7	605001	Knob, Adjusting Lower	1
8	605002	Knob, Adjusting Upper	1
9	600802	Bracket, Support	1

ITEM	PART NO.	DESCRIPTION	QTY.
10	601101	Bushing	1
11	602101	Clip, Seeger	1
12	608302	Spring, Squeegee Tension	1
13	962128	Screw	14
14	605003	Knob, Caster Adjusting	2
15	W155D	Screw	4
16	600803	Bracket, Caster	2
17	608301	Spring, Caster	2
18	609701	Caster	2

## **WARRANTY POLICY WET/DRY VACUUMS**

The **Pacific Steamex Inc.** Wet/Dry Vacuum has been manufactured, tested and inspected in accordance with specific engineering requirements and is WARRANTED to be free from defects in workmanship and materials as follows:

One (1) year parts & labor - All components unless excluded below.

This warranty extends to the original user/purchaser and only when used, operated and maintained in accordance with **Pacific Steamex Inc.** Operating and Maintenance instructions.

This warranty does not apply to certain wear parts and accessories of the machine such as electrical cords, carbon motor brushes, floor brushes, hoses, tools, filters, casters, wheels, etc. Nor does it apply to damage or failure caused by improper use, abuse or neglect. Warranty credit or replacement of return parts including motors, etc., is subject to incoming inspection of those items.

To secure repair under this warranty, the following procedure should be taken:

- The inoperative machine or warranted parts must be delivered to the authorized dealer with shipping and delivery charges prepaid. If unable to locate the Dealer, you may contact **Pacific Steamex Inc.** at the address listed herein for the location of the nearest **Pacific Steamex Inc.** repair center or agent or for other instructions pertaining to your warranty difficulty.
- Upon compliance with the above warranty procedure, all warranted repairs would be completed at no additional charge or cost to the user.
- Only **Pacific Steamex Inc.** or its authorized dealers and agents may make no charge warranty repairs on this product. All others do so at their own risk.

This warranty limits **Pacific Steamex Inc.** liability to the repair of the product and/or warranted parts replacement and does not include incidental or consequential damages arising from the use of a **Pacific Steamex Inc.** machine whether defective or not.

This warranty is in lieu of all other expressed or implied warranties and is extended to the original purchaser/user.

# **PACIFIC**

2259 Sheridan

Muskegon, Michigan 49442

Ph: (800) 968-1332 Fax: (231) 773-1642

[www.nextwaveofclean.com](http://www.nextwaveofclean.com)