

PACIFIC

Proteus 20B 20" Automatic Scrubber

Parts List & Service Manual

The contents of this manual are based on the latest product information available at the time of publication. **Pacific** reserves the right to make changes or improvements to its machines without notice.

For new books write to:

Pacific

2259 South Sheridan Road

Muskegon, MI 49442

Carefully inspect all components to ensure that there is no concealed freight damage. If such damage is discovered, file a "CONCEALED DAMAGE REPORT" immediately with the delivering carrier.

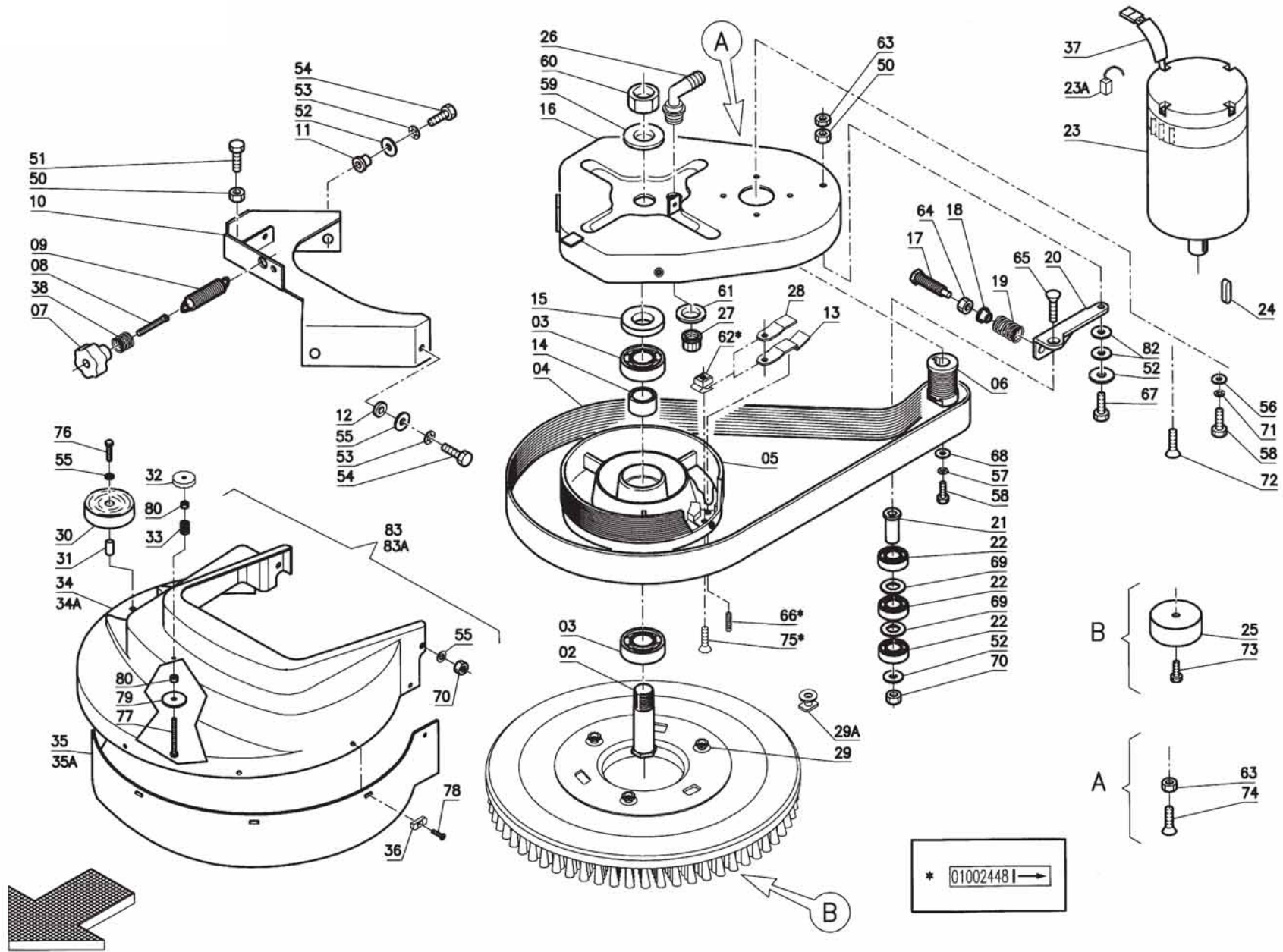
FOR YOUR CONVENIENCE, RECORD THE FOLLOWING IMPORTANT INFORMATION:

MODEL _____

SERIAL NUMBER _____

PART NUMBER _____

DATE PURCHASED _____

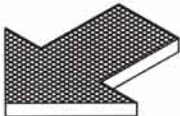
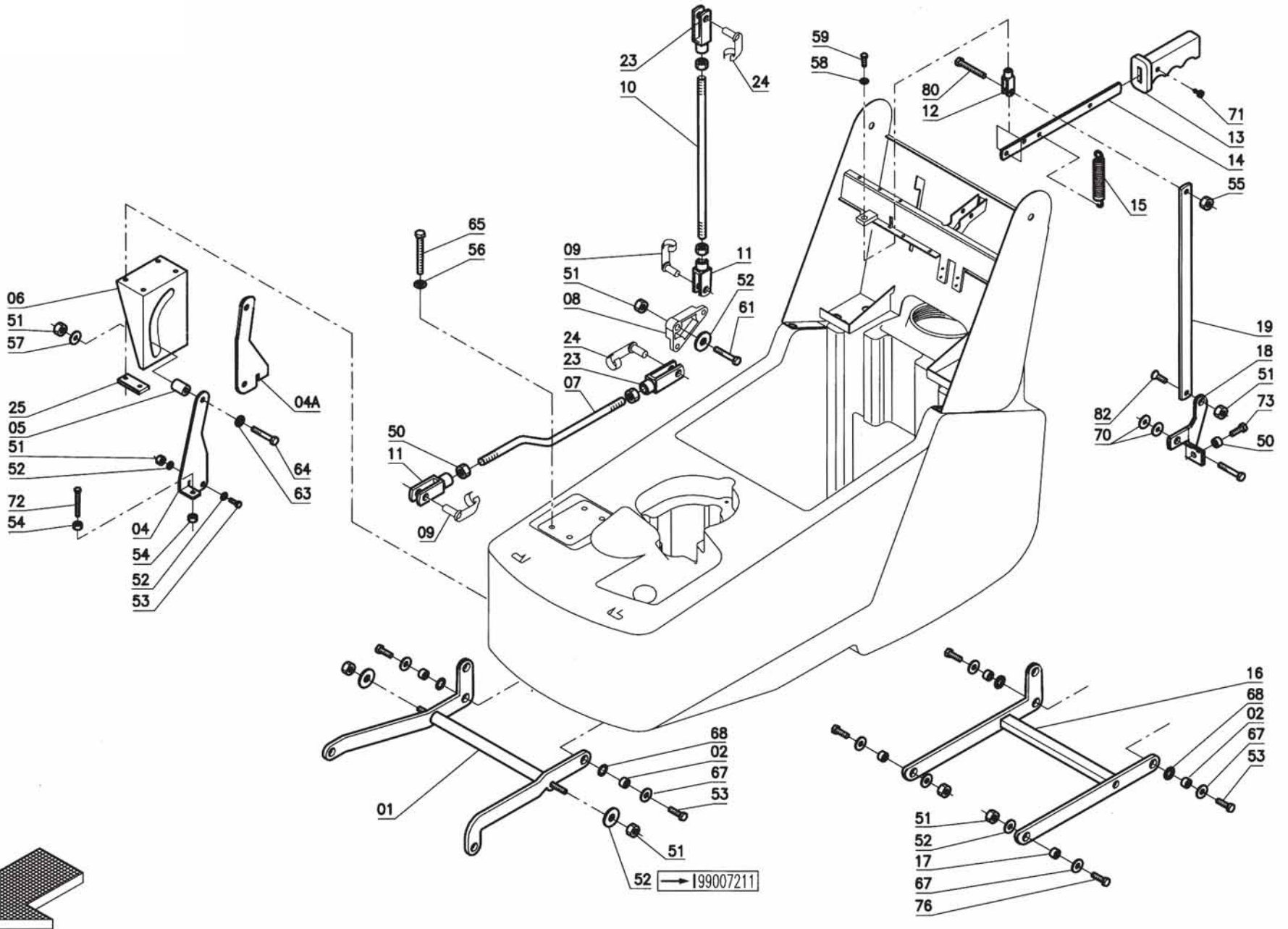


DRAWING 1

BRUSH BASE ASSEMBLY

Item	Part Number	Description	Qty.
1	880960	Brush	
	885960	Pad Driver	
	504470	Pad Holder, Top & Bottom	
2	887740	Shaft	1
3	902031	Bearing	2
4	903016	Belt	1
5	886940	Pulley	1
6	69420260	Motor Pulley	1
7	74006010	Knob	1
8	880540	Adjuster	1
9	888340	Spring	1
10	42301020	Support	1
11	881140	Bushing	2
12	69102050	Bushing	2
13	888341	Spring	2
14	888241	Spacer	1
15	888240	Spacer	1
16	69823010	Brush Base	1
17	880541	Adjuster	1
18	881141	Bushing	1
19	888342	Spring	1
20	42301010	Support	1
21	881142	Bushing	1
22	902032	Bearing	3
23	68220370	Motor	1
23A	880952	Carbon Brush Motor	4
24	70405041	Key	1
25	980620	Special Washer	1
26	74520028	Connector	1
27	74520029	Ring Nut	1
28	69230470	Spring	3
29	885146	Lugs, rectangular	-
	42001170	Lugs, round head with rectangular base to convert old pad driver to round lugs	
	022.111	Lugs, round	3
	70970603	Screws for Lugs	3
*30	67020030	Bumper Wheel	1
*31	69102110	Bushing	1
*32	42346050	Handwheel	1

Item	Part Number	Description	Qty.
*33	69210400	Spring	1
*34	42346120	Base Cover	1
*35	863606	Splash Guard	1
*36	882131	Clip Guard	8
37	67404160	Sheath	1
38	69210640	Spring	1
50	924035	Nut	3
51	964085	Screw	1
52	980044	Washer	2
53	980069	Lock Washer	1
54	964086	Screw	2
*55	980039	Washer	2
56	980042	Washer	3
57	980045	Lock Washer	1
58	964116	Screw	4
59	980050	Washer	1
60	924040	Nut	1
61	71316002	Lock Washer	1
62	71050602	Nut	1
63	71010809	Nut	1
64	924039	Nut	1
65	70980815	Screw	1
66	70960601	Dowel	1
67	964091	Screw	1
68	71106006	Washer	1
69	980052	Washer Brass	2
*70	924033	Lock Nut	1
71	71106009	Lock Washer	4
72	70980602	Screw	1
73	70980614	Screw	1
74	964093	Screw	1
75	70980603	Screw	1
76	70910816	Screw	1
*77	70910631	Screw	1
*78	70944204	Screw	8
*79	71106017	Lock Nut	1
*80	71010603	Nut	2
82	980051	Cupped Washer	2
*83	A4623005	Base Cover Assembly	

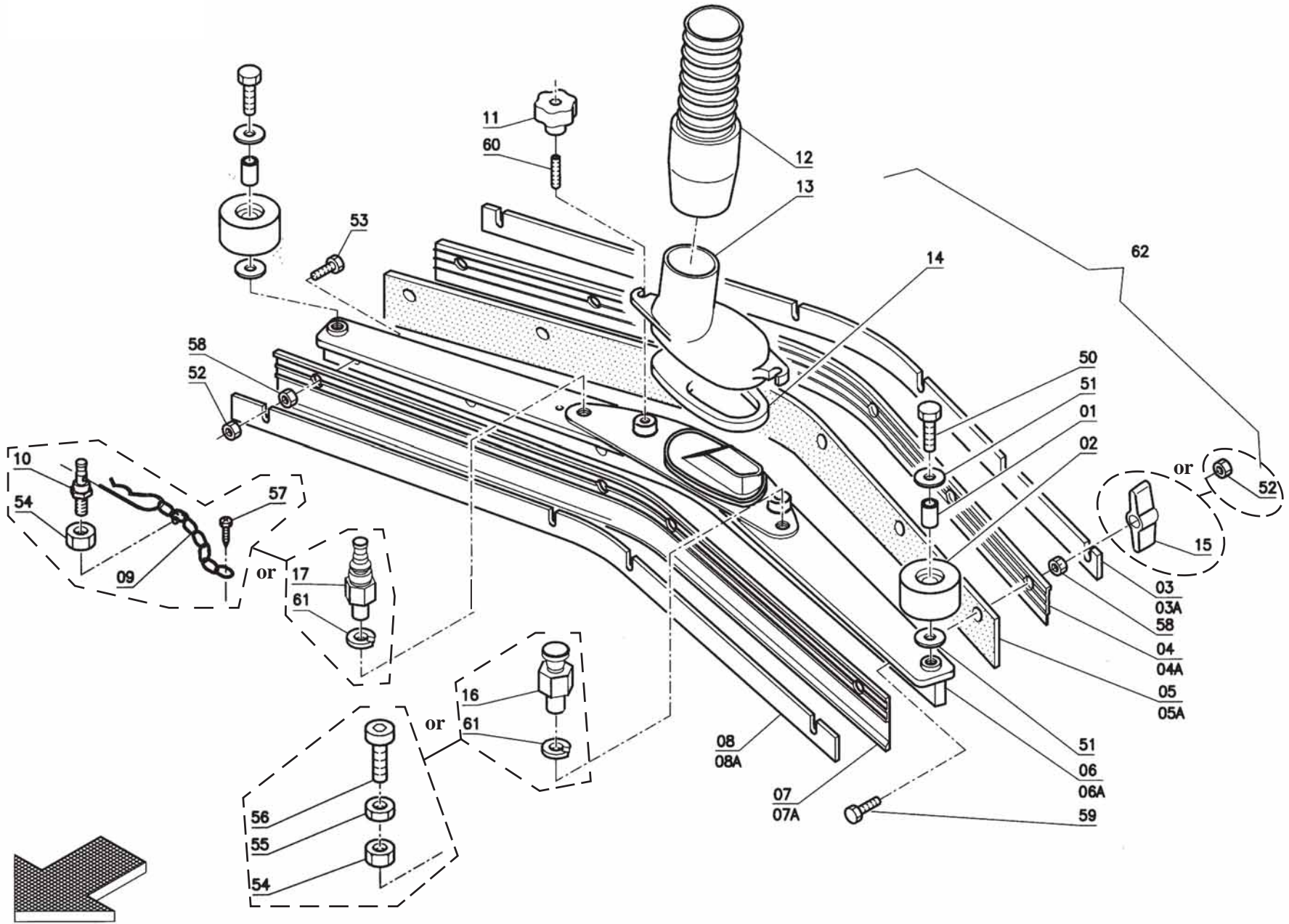


DRAWING 2

BRUSH CONTROL ASSEMBLY

Item	Part Number	Description	Qty.
1	42303120	Arm	1
2	69122030	Bushing	2
4	42303070	Support	1
5	42303080	Roller	1
6	42303030	Support	1
7	42303140	Tie Rod	1
8	40228020	Rocker Arm	1
9	74620001	Pin	3
10	42303130	Tie Rod	1
11	74610001	Fork	3
12	74610004	Fork	1
13	74100007	Knob	1
14	42303150	Lever	1
15	888336	Spring	1
16	42307120	Lever	1
17	69102050	Bushing	2
18	42303160	Coupling	1
19	42303170	Prop	1
23	74610005	Fork	1
24	74620006	Pin	1
25	42303180	Plate	2
50	71010809	Nut	5

Item	Part Number	Description	Qty.
51	924033	Lock Nut	5
52	980039	Washer	4
53	964090	Screw	1
54	71010601	Nut	2
55	924026	Lock Nut	1
56	980042	Washer	1
57	980070	Washer	1
58	980040	Washer	1
59	964116	Screw	1
61	70911024	Screw	1
63	980069	Lock Washer	1
64	964106	Screw	1
65	70910620	Screw	1
67	980044	Washer	4
68	980053	Lock Washer	2
70	71110005	Washer	2
71	70944801	Screw	1
72	70910626	Screw	1
73	964103	Screw	1
76	964085	Screw	2
80	70910618	Screw	1
82	70980809	Screw	1



DRAWING 3

SQUEEGEE ASSEMBLY

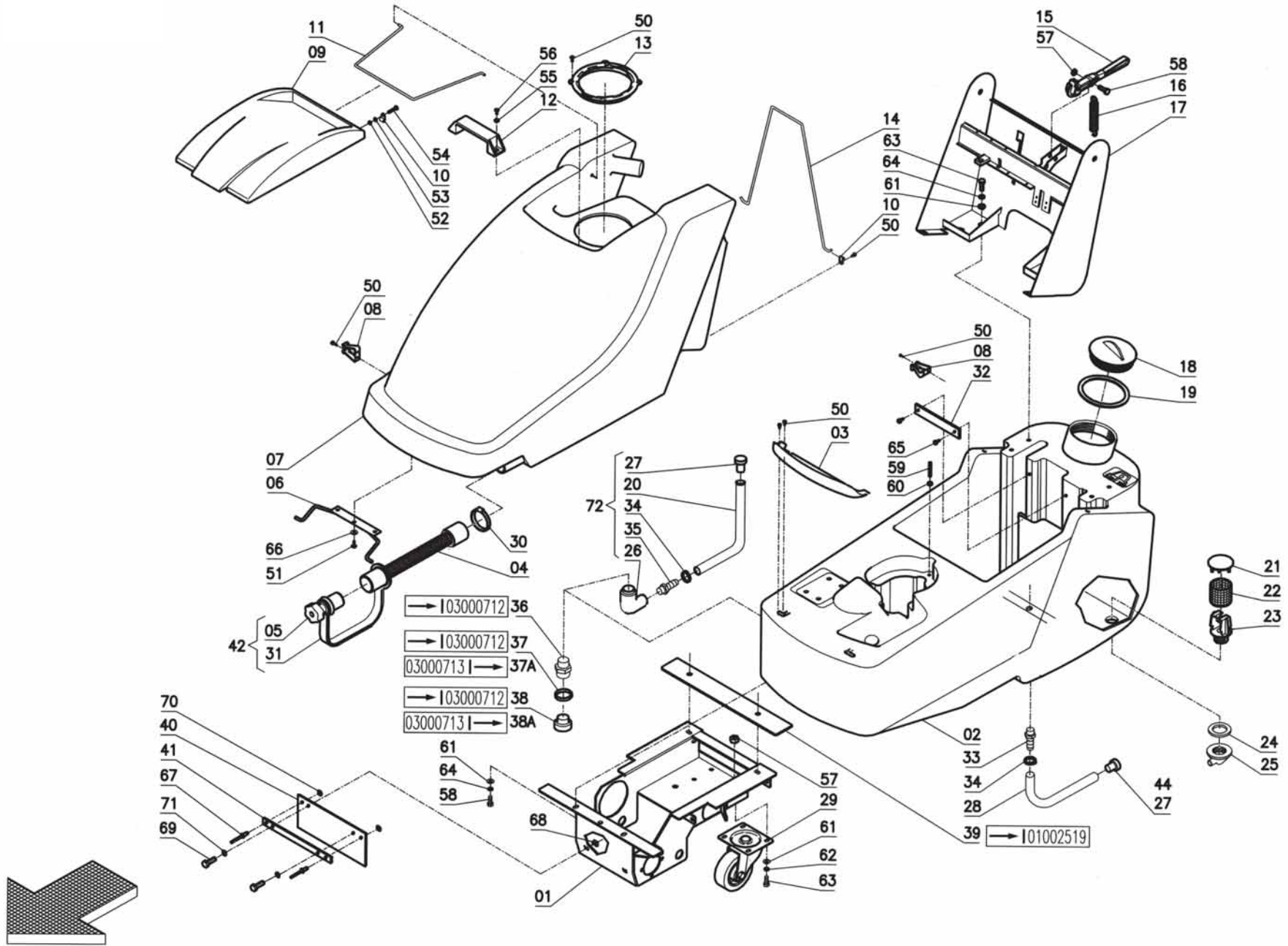
Item	Part Number	Description	Qty.
1	881145	Bushing	2
2	889742	Bumper	2
3	68813020	Blade	1
4	880750	Rear Rubber	1
5A	880751	Central Rubber,33 Shore,Smooth Floor, Red,31"	1
5B	880752	Central Rubber,40 Shore,Concrete Floor,Beige,31"	1
5C	67713060	Central Rubber, Oil Resistant	
6	69623010	Squeegee Body	1
7	880753	Front Rubber, Clear	1
8	68813010	Blade	1
9	882444	Chain with Clip	
10	42311010	Stud Bolt	
11	74006010	Knob	2
12	67512690	Vacuum Hose	1
13	880240	Opening	1
14	67406200	Gasket	1
15	74006011	Wing Nut	8
16	42311030	Stud Bolt	1
17	42311020	Stud Bolt	1
50	964085	Screw	2
51	980039	Washer	2
52	924050	Lock Nut	
53	964109	Screw	4
54	924061	Nut	
55	924053	Nut	
56	70931005	Screw	
57	964126	Screw	
58	924054	Nut	12
59	964110	Screw	8
60	925606	Dowel	2
61	71110007	Lock Washer	2
62	A9623004	Squeegee Assembly, includes all items above, except Item 12, the vacuum hose.	

DRAWING 4

SQUEEGEE CONTROL ASSEMBLY

Item	Part number	Description
1	42312050	LEVER
2	42312070	LEVER
3	69122010	BUSHING
4	74803062	CABLE
5	40212010	HAND WHEEL
6	880551	ADJUSTER
7	42312040	ARM
8	42312080	BALLAST
9	42312060	PIN
10	42312030	SUPPORT
11	869707	WHEEL
12	69122020	BUSHING
13	69122040	BUSHING
14	41312080	SPECIAL WASHER
15	69230020	SPRING
16	42312010	COUPLING
17	74100005	KNOB
18	42312020	PIN
19	69210330	SPRING
20	70220003	RETAINING RING
21	74610007	CONNECTOR FORK
22	74620008	CLIP
23	69220190	SPRING
24	42312100	COUPLING

Item	Part number	Description
25	69210660	SPRING
26	42312140	COUPLER
27	69220560	SPRING
50	70911009	BOLT
51	866706	CLEVIS PIN
52	925612	COTTER PIN
53	924060	NUT
54	71010809	NUT
55	980046	WASHER
56	70910621	BOLT
57	71106009	LOCK WASHER
58	71010810	NUT
59	924026	LOCK NUT
60	70910627	BOLT
61	980042	WASHER
62	980064	WASHER
63	924050	LOCK NUT
64	924055	LOCK NUT
65	70910621	BOLT
66	980065	WASHER
67	980040	WASHER
68	964186	BOLT
69	920644	LOCK NUT
70	980660	WASHER

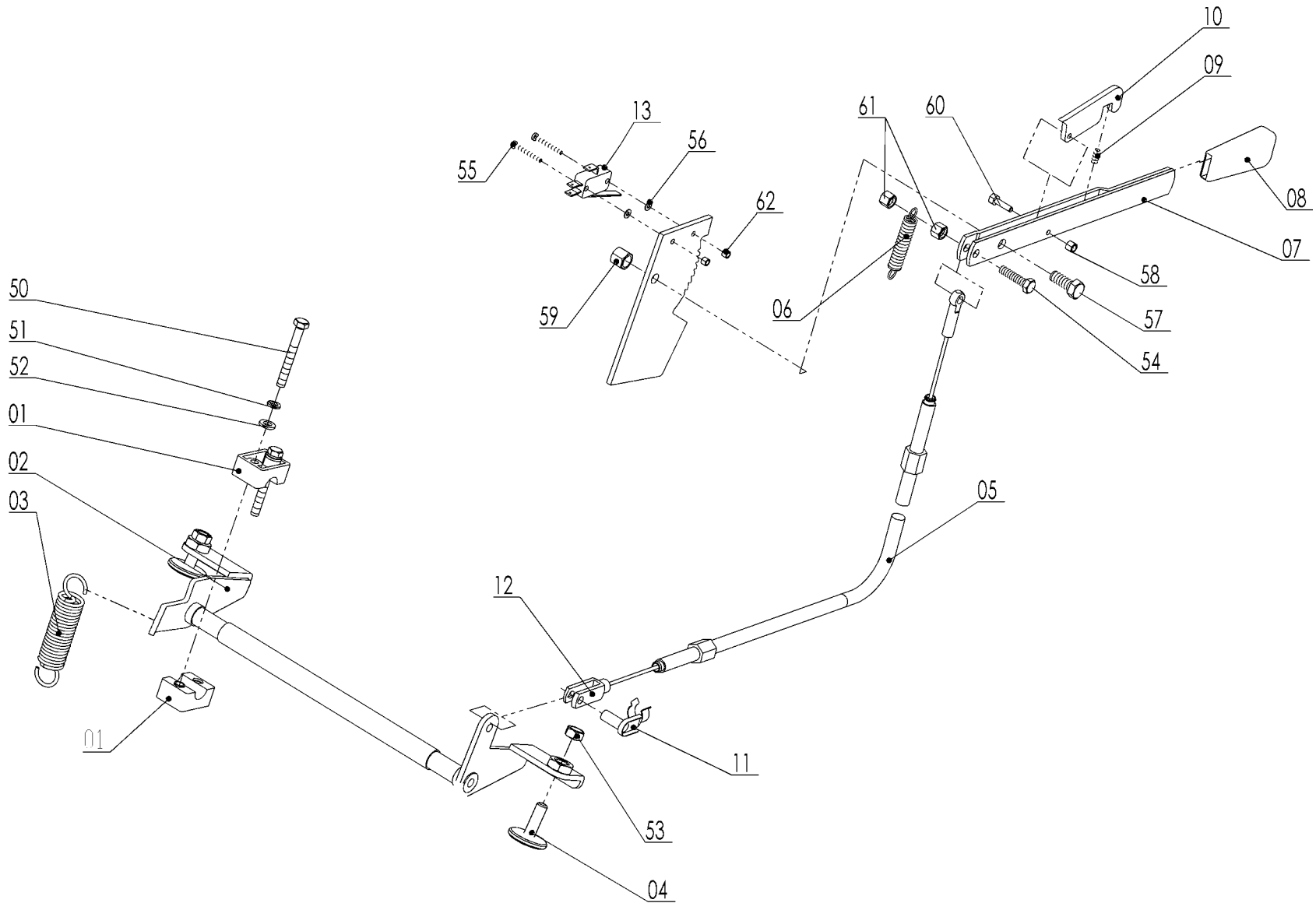


DRAWING 5

FRAME & TANK ASSEMBLY

Item	Part Number	Description	Qty.
1	69923100	Frame	1
2	69723040	Solution Tank	1
3	42346080	Cover	1
4	67512580	Drain Hose	1
5	886842	Plug, Drain Hose	1
6	42336080	Hinge	1
7	69723050	Recovery Tank	1
8	882440	Hook	1
9	42346020	Cover	1
10	72902008	Cable Fastener	4
11	42346010	Hinge	1
12	883930	Handle	1
13	42036030	Filter Holder	1
14	42336030	Prop	1
15	885143	Lever	1
16	888344	Spring	1
17	69923300	Frame	1
18	886844	Cover	1
19	67401080	Gasket	1
20	67523260	Pipe	1
21	882331	Cover	1
22	883331	Filter	1
23	883332	Base	1
24	70800003	Gasket	1
25	74520025	Ring Nut	1
26	74520001	Elbow	1
27	886852	Cap	2
28	67521670	Pipe	1
29	67050120	Castor Wheel	1
30	882041	Clamp	1
31	42341010	Clamp	1
32	42336090	Guide	1
33	74540002	Connector	1
34	74220061	Clamp	1

Item	Part Number	Description	Qty.
35	74540023	Connector	1
36	74560009	Fitting, 1/2" Pipe Thread	1
37	67400640	Gasket	1
37A	67406220	Gasket	1
38	74550009	Cap	1
38A	74550012	Plug Exhaust Pipe	1
39	42316010	Support Bracket	1
40	42346090	Splash Guard	1
41	42346100	Blade	1
42	42436030	Plug & Clamp, Drain Hose	
50	70973902	Screw	12
51	70945501	Screw	3
52	924029	Lock Nut	2
53	71104002	Washer	2
54	70950401	Screw	2
55	980066	Washer	2
56	70944807	Screw	2
57	924033	Lock Nut	5
58	964103	Screw	1
59	925606	Dowel	1
60	924048	Nut	2
61	980039	Washer	10
62	980053	Lock Washer	4
63	70930808	Screw	8
64	980069	Lock Washer	6
65	70944203	Screw	2
66	71105003	Washer	3
67	71400004	Rivet	2
68	71050503	Nut	2
69	70910504	Screw	2
70	71103004	Washer	2
71	71105001	Washer	2
72	A3623001	Drain Hose Kit (Optional)	

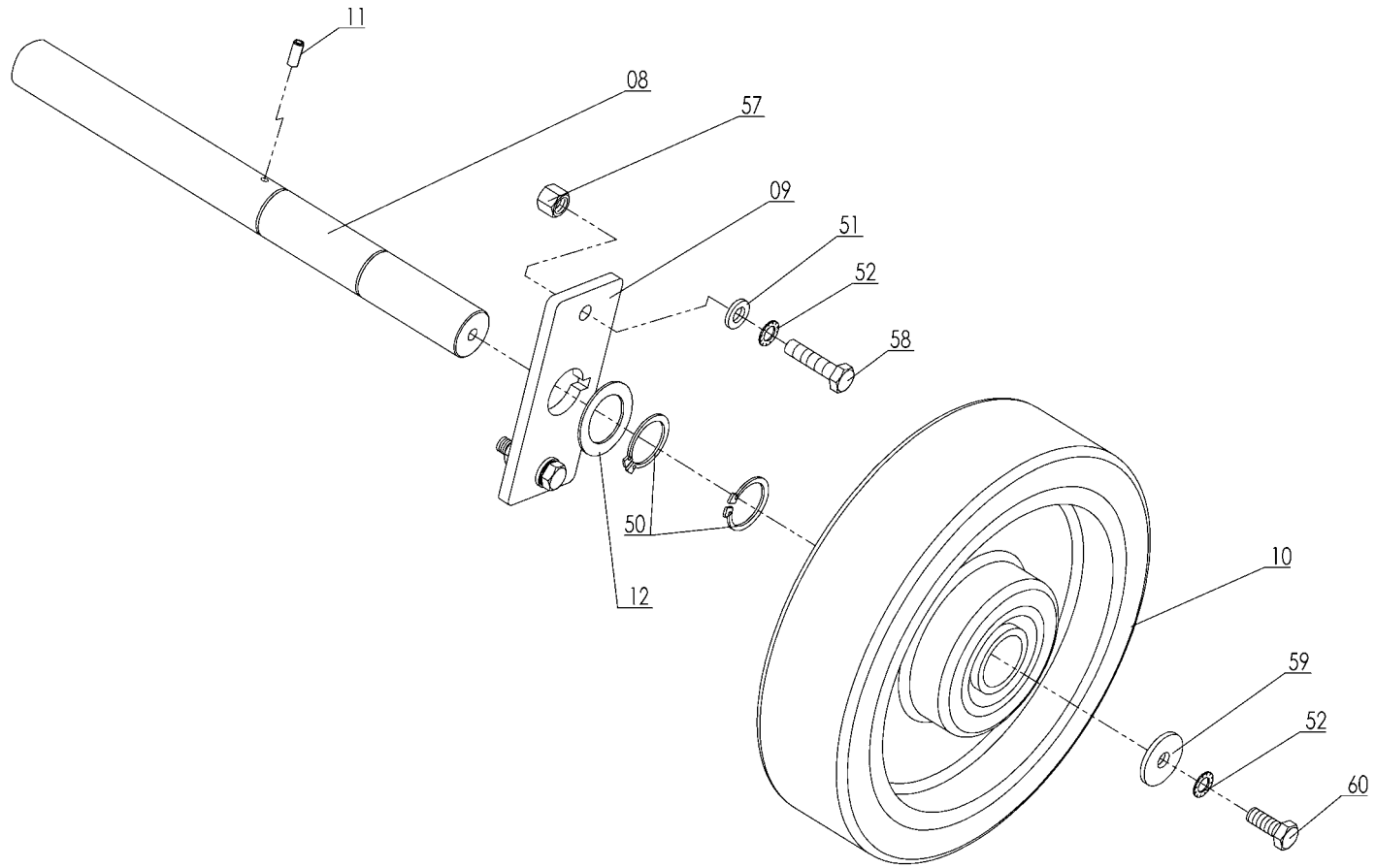


DRAWING 6

BRAKE ASSEMBLY

Item	Part number	Description
1	882043	PIVOT BLOCK
2	42318010	SHAFT ASSEMBLY
3	69220160	SPRING
4	41318090	PAD
5	74803051	BRAKE CABLE
6	888336	SPRING
7	40318100	LEVER
8	74100005	KNOB
9	69210540	SPRING
10	40318110	LEVER
11	74620005	PIN
12	74610004	CONNECTOR FORK
13	72105009	SNAP ACTION SWITCH

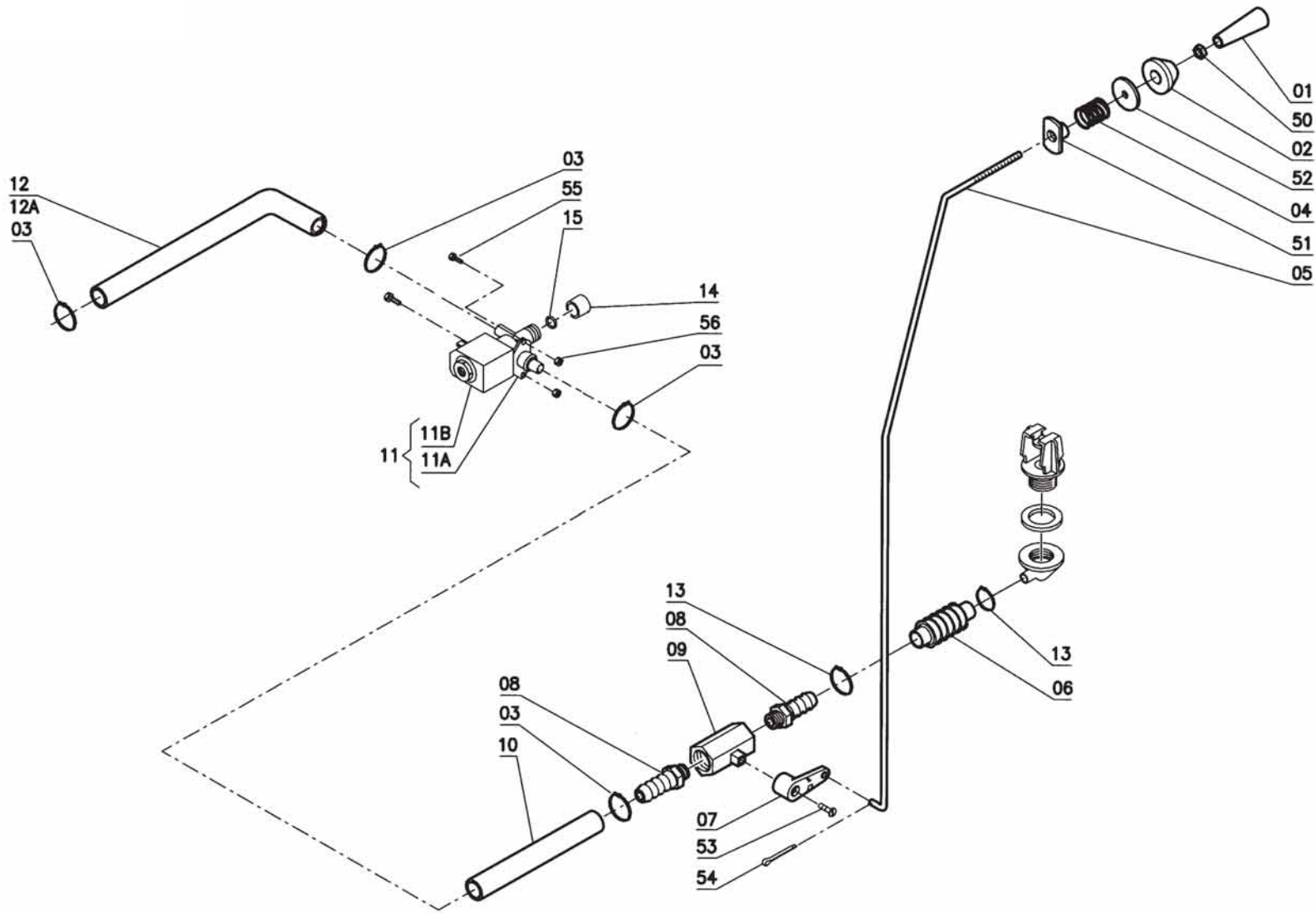
Item	Part number	Description
50	964079	SCREW
51	71106009	LOCK WASHER
52	980042	WASHER
53	71010809	NUT
54	964083	SCREW
55	70940304	SCREW
56	980054	WASHER
57	964086	SCREW
58	924029	LOCK NUT
59	924033	LOCK NUT
60	70910407	SCREW
61	924050	LOCK NUT
62	924043	LOCK NUT



DRAWING 7

AXLE ASSEMBLY

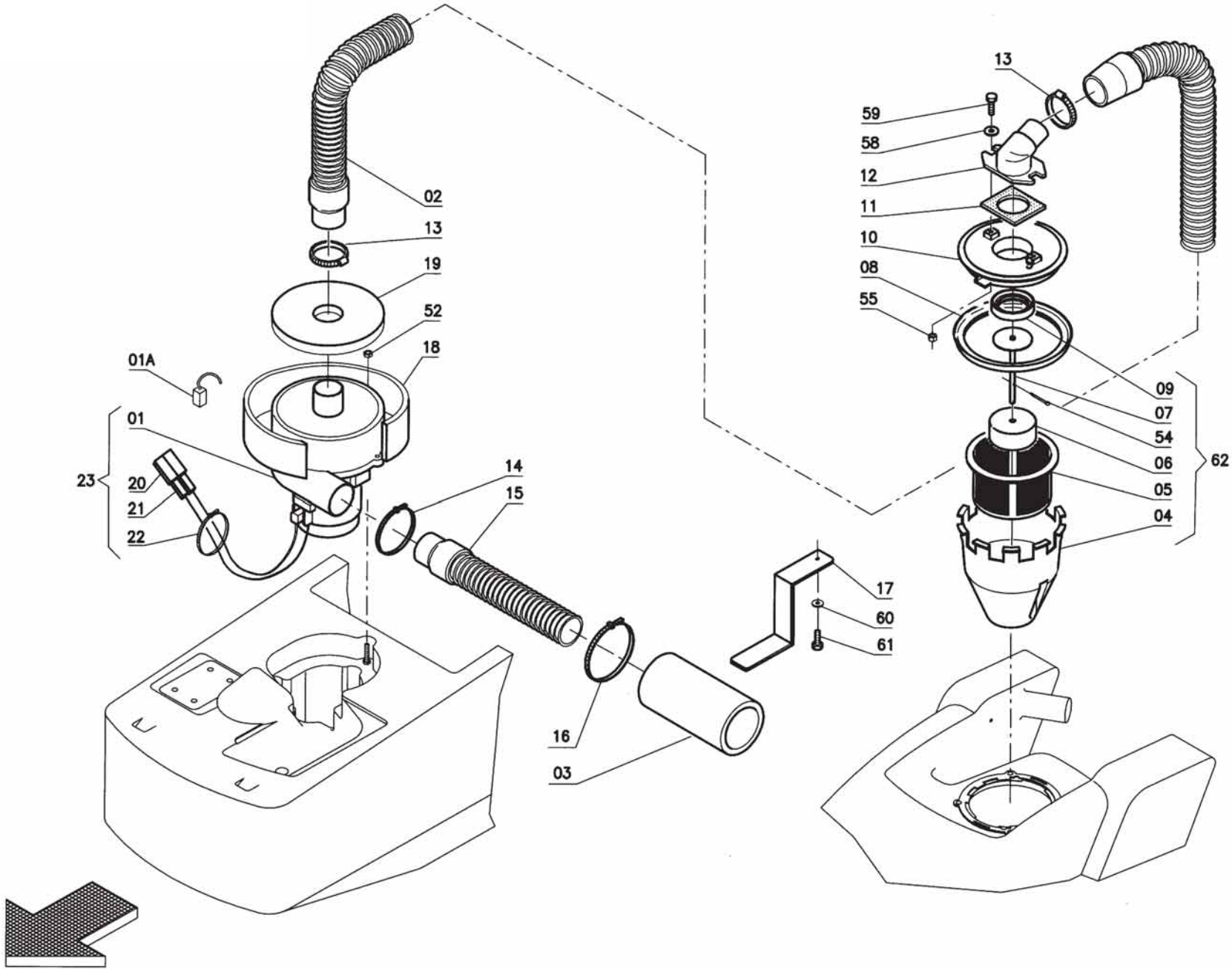
Item	Part number	Description
8	42317020	AXLE
9	42317030	SUPPORT
10	67010300	WHEEL
11	71440001	SPRING PIN
12		WHEEL SPACER (1.0mm Optional)
12		WHEEL SPACER (1.5mm Optional)
50	70220016	RETAINING RING
51	980042	WASHER
52	980045	LOCK WASHER
57	924026	LOCK NUT
58	964116	SCREW
59	980065	WASHER
60	964107	SCREW



DRAWING 8

WATER UNIT

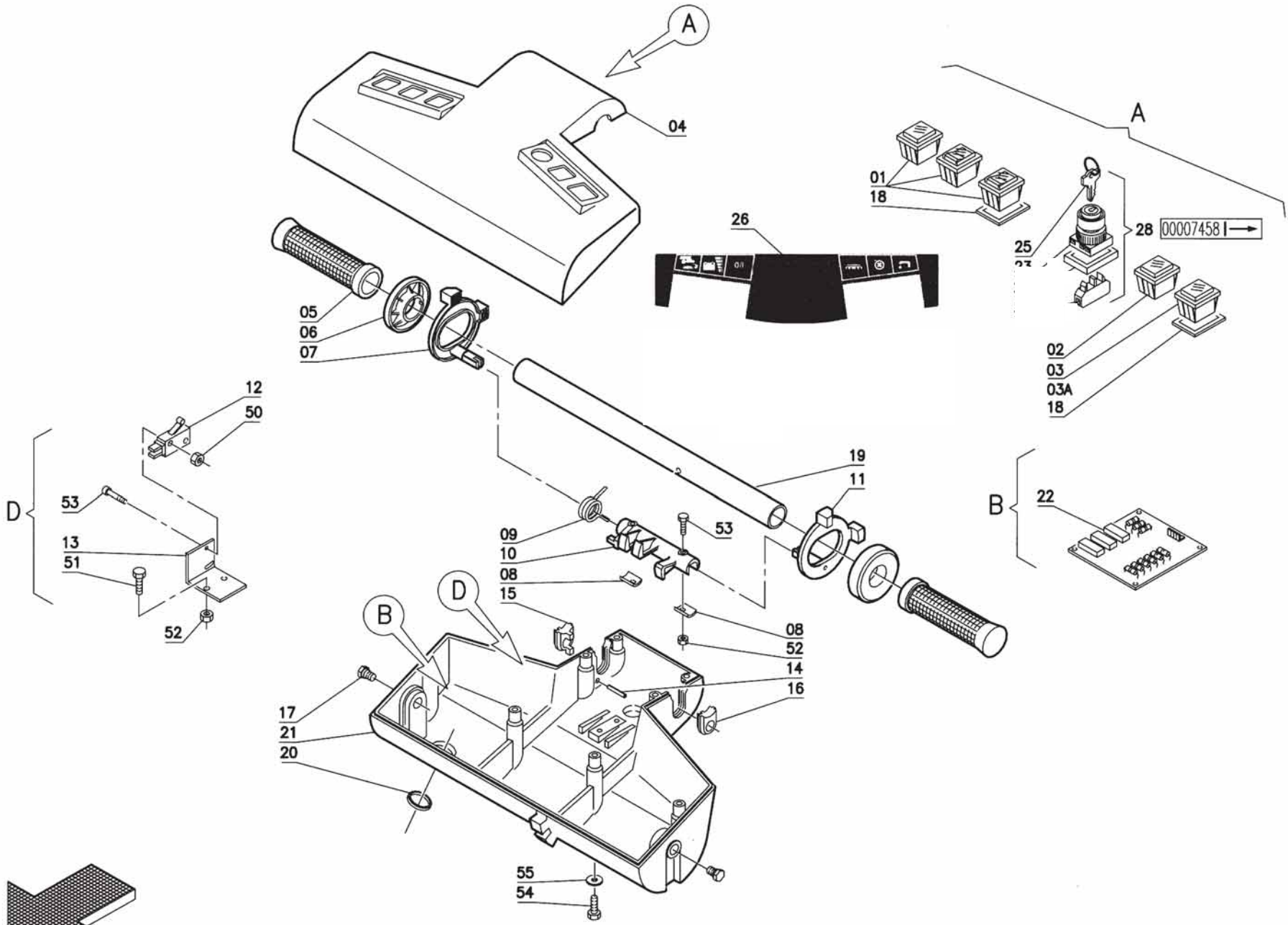
Item	Part Number	Description	Qty.
1	885044	Knob	1
2	980621	Special Washer	1
3	74210002	Clamp	4
4	888345	Spring	1
5	42337010	Rod	1
6	40237100	Bellows	1
7	865140	Lever	1
8	863308	Fitting	2
9	869405	Valve	1
10	67522250	Pipe	1
11	911312	Solenoid Valve Complete	1
12	67523050	Pipe	1
13	74210001	Clamp	4
14	74550011	Cap	1
15	70800020	O-Ring	1
50	924046	Nut	
51	924047	Nut	
52	980061	Washer	
53	70950401	Screw	
54	925609	Split Pin	
55	70910401	Screw	
56	924029	Lock Nut	



DRAWING 9

VACUUM ASSEMBLY

Item	Part Number	Description	Qty.
1		Vacuum Motor-Use item #23	1
1A	880951	Carbon Brush Motor	2
2	67512630	Vacuum Hose	1
3	67101390	Sound Deadening Hose	1
4	888551	Protection	1
5	883343	Filter	1
6	883344	Float	1
7	887440	Rod	1
8	883441	Gasket	1
9	883442	Gasket	1
10	886841	Cover	1
11	883446	Gasket	1
12	882442	Opening	1
13	882041	Clamp	1
14	74220059	Clamp	1
15	67512050	Pipe	1
16	882030	Clamp	1
17	42341020	Support	1
18	67101090	Deading Hose	1
19	67101080	Deading Hose	1
20	72700003	Connector	2
21	72700004	Contact	2
22	74210001	Clamp	2
23	68120460	Vacuum Motor Assembly	1
52	924050	Lock Nut	1
54	925603	Split Pin	2
55	71020502	Lock Nut	2
58	40247030	Washer	2
59	70950502	Screw	2
60	980039	Washer	1
61	70910803	Screw	1
62	A6520001	Filter/Float Assembly	1

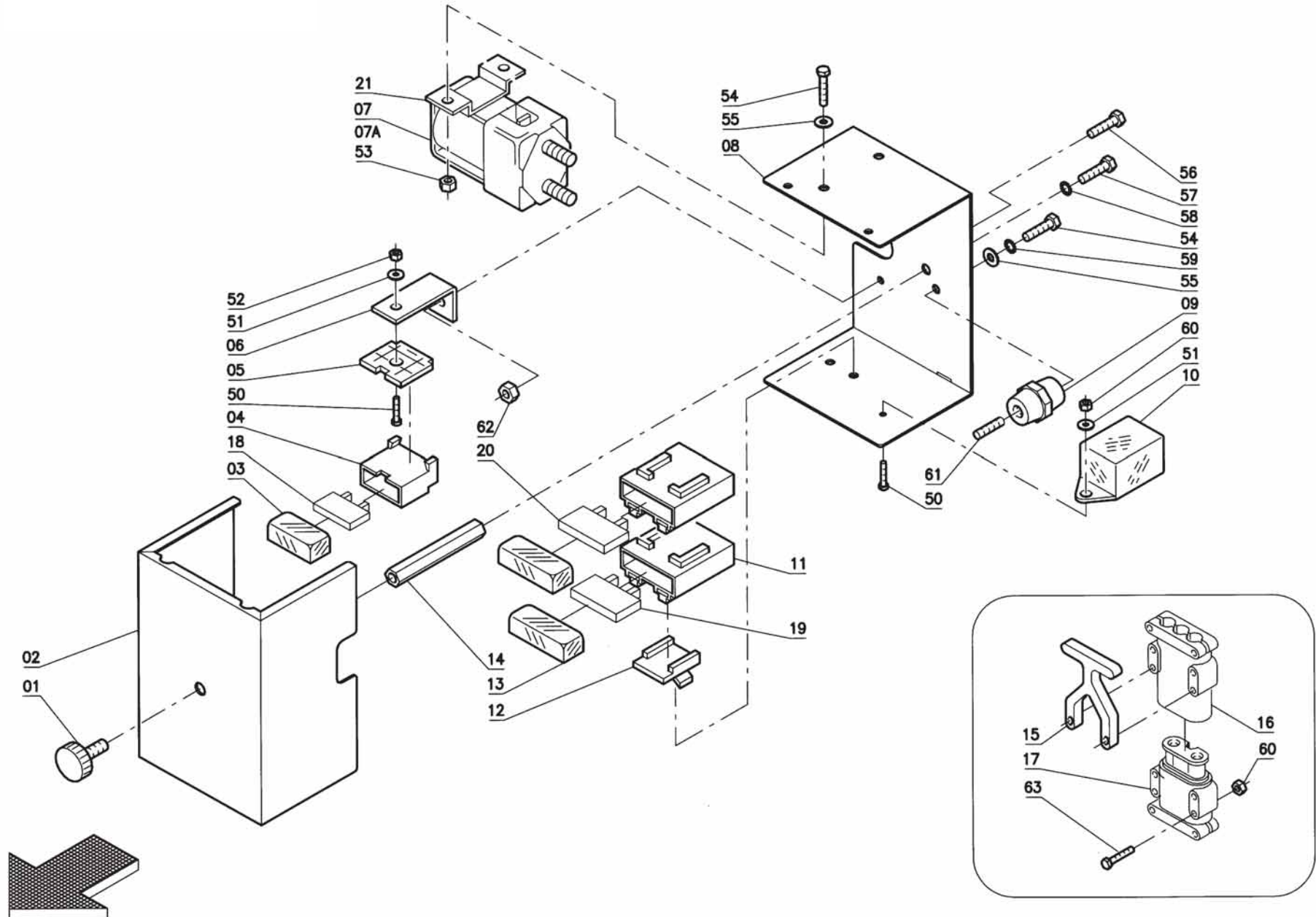


DRAWING 10

HANDLE ASSEMBLY

Item	Part Number	Description	Qty.
1	72102009	Switch	3
2	911167	Signal Lamp Green	1
3	72102010	Switch, Brush Release	1
4	882342	Handle Bar Cover	1
5	885042	Knob	2
6	980623	Special Washer	2
7	885141	Lever	1
8	882140	Clip Retaining	2
9	888343	Spring	1
10	41328010	Shaft	1
11	885142	Lever	1
12	911170	Microswitch	1
13	888548	Support	1
14	71404005	Spring Pin	1
15	887240	Retainer RH	1
16	887241	Retainer LH	1

Item	Part Number	Description	Qty.
17	42326010	Special Screw	2
18	883440	Gasket	5
19	886040	Pipe	1
20	883841	Fairlead	1
21	881341	Handle Bar Body	1
22	881358	Check Card Batterires	1
25	865003	Keys, Set of Two	1
26	865134	Decal, 20B	1
28A	911311	Switch Kit	1
50	924043	Lock Nut	5
51	70910407	Screw	4
52	924031	Nut	2
53	964101	Screw	4
54	964123	Screw	8
55	980041	Lock Washer	2



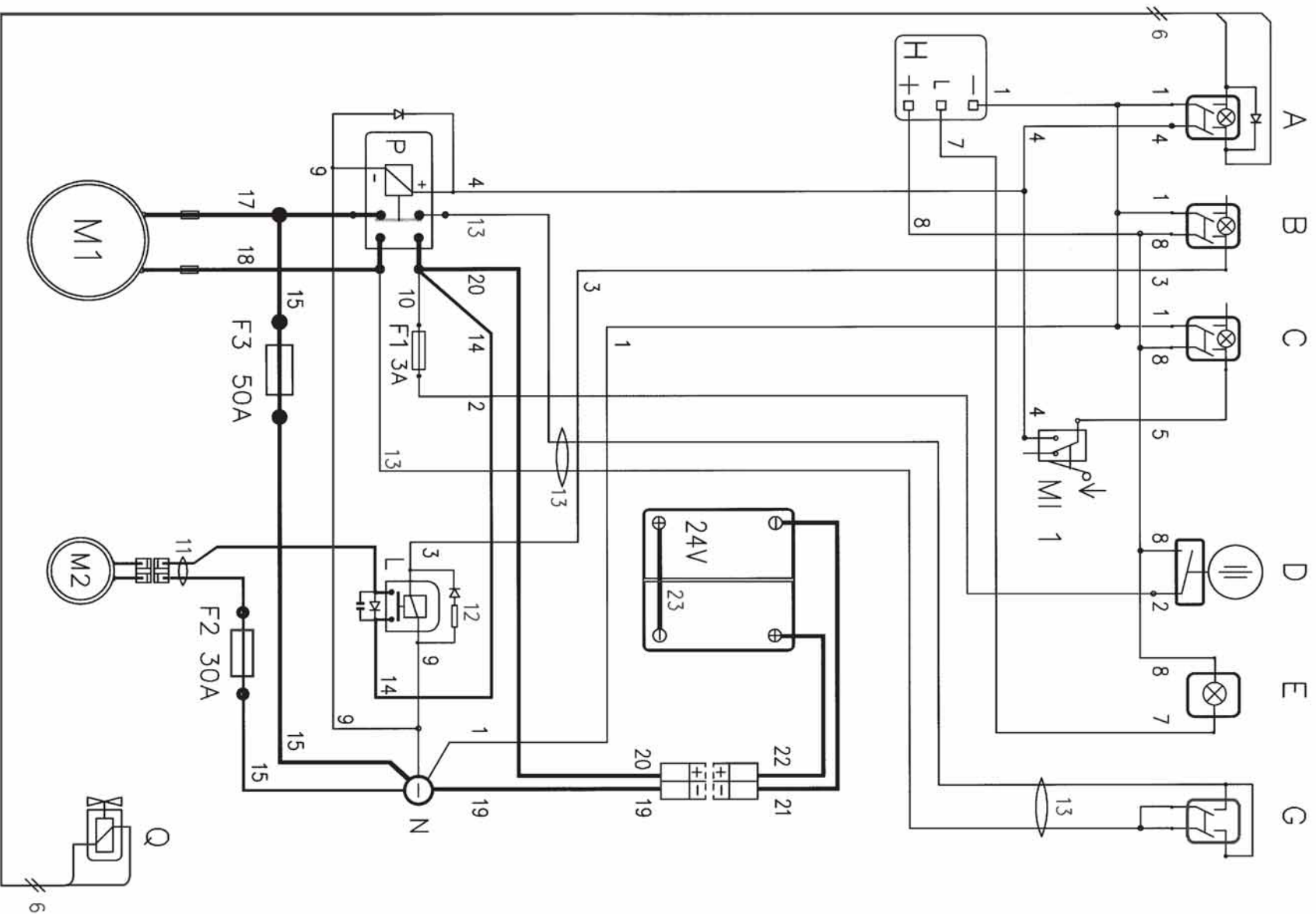
DRAWING 11

ELECTRICAL COMPONENTS

Item	Part Number	Description	Qty.
1	74006003	Knob	1
2	42351020	Cover	1
3	72916002	Cover	1
4	72400011	Fuseholder	1
5	72916001	Plaque	1
6	41251100	Support	1
7	68420220	Double Remote Control Switch	1
8	72351010	Cover	1
9	884750	Insulator	1
10	887550	Relay	1
11	72400012	Fuseholder	2
12	72916004	Plaque	1
13	72916003	Cover	2
14	42351030	Stud Bolt	1
15	72700015	Lever for Connector	1
16	72700011	Connector Male	1
17	72700012	Connector Female	1
18	72400301	Fuse	1

Item	Part Number	Description	Qty.
19	72403003	Fuse	1
20	72405002	Maxifuse	1
21	72906002	Support	1
50	70940301	Screw	2
51	980054	Washer	2
52	71010301	Nut	1
53	924032	Lock Nut	3
54	964082	Screw	3
55	980066	Washer	3
56	964098	Screw	1
57	964088	Screw	1
58	980045	Lock Washer	1
59	980041	Lock Washer	3
60	924043	Lock Nut	3
61	70960502	Dowel	1
62	924029	Lock Nut	1
63	70940305	Screw	2

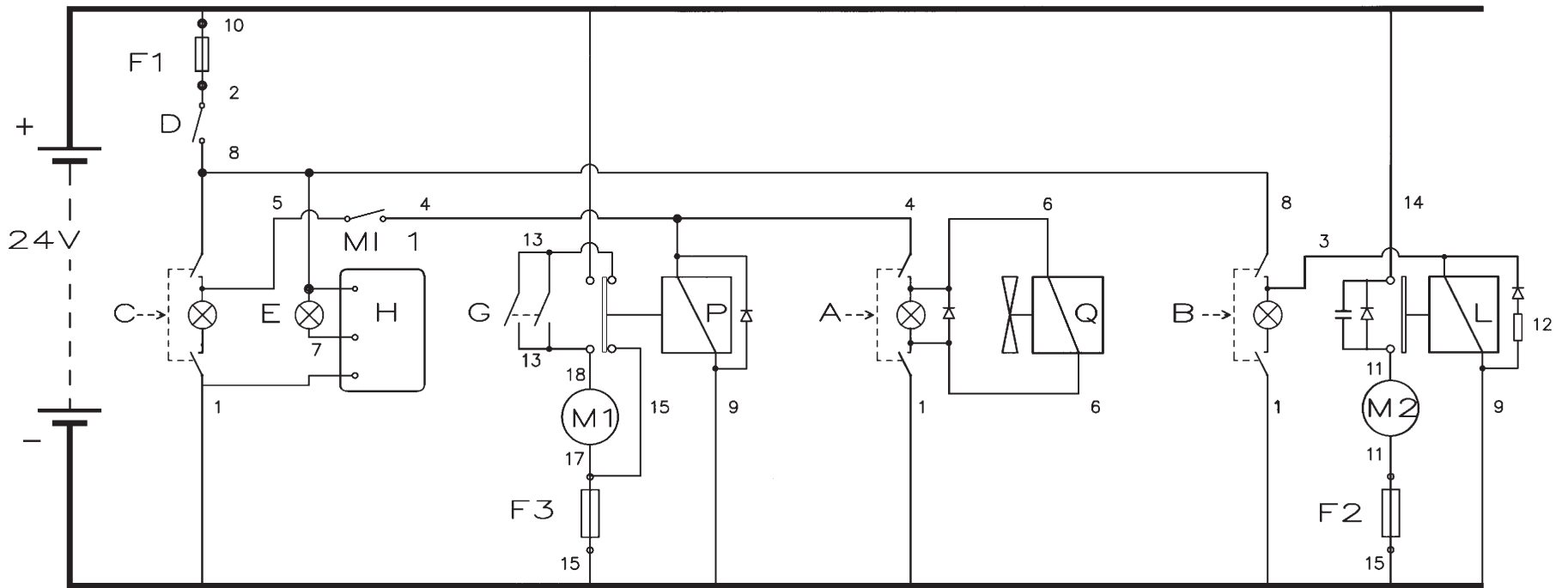
Electrical Diagram



Electrical Components Parts List

Item	Part Number	Component Descriptions
A	72102009	Bipolar Switch Green (Solenoid Valve Solution)
B	72102009	Bipolar Switch Green (Vacuum Motor)
C	72102009	Bipolar Switch Green (Motor Brushes)
D	911311	Key Switch Assembly
E	911167	Green Signal Protected 24V (Control Batteries)
F1	72400301	Fuse 3A (Controls)
F2	72403003	Maxifuse 30A (Vacuum Motor)
F3	72405002	Maxifuse 50A (Brush Motor)
H	67900001	Check Card Control Batteries 24V Lead Batteries
L	887550	Relay 24V 30A Faston (Vacuum Motor)
M1	68220370	Brush Motor 24V
M2	68120460	Vacuum Motor 24V with Plug
MI-1	911170	Microswitch 3x22 (Motor Brushes)
N	884750	Insulator M5x25 FF (Negative General)
P	68420230	Remote Control Switch 24V with Diode (Brush Motor)
Q	68522070	Coil Solenoid Valve 24V - 1/2

Item	Part Number	Cable Descriptions
1/6	68023001	Series Cables and connectors for Switches
1	68023033	4 Cables Black No. 1
2	68023034	Cable Brown No. 2
3	68023035	Cable Blue No. 3
4-5	68023036	3 Cables Red No. 4-5
6	68023014	2 Cables Brown-Blue No. 6
7	68023003	Cable Blue No. 7
8	68023004	4 Cables Red No. 8
9	68023005	2 Cables Black No. 9
10	68023006	Cable Red No. 10
11	68023007	Cables Suction Motor No. 11
12	72500011	Diode and Resistance with Terminal No. 12
13	68023002	Series Cables and Connector Brush Release No. 13
14	68023008	Cable Red + Condenser and Diode No. 14
15	68023009	Cable Black No. 15
17/18	68023029	2 Cables Black-Red Motor Brushes No. 17-18
19/20	68023037	2 Cables Black-Red and Connector 80A
21/22	68023038	2 Cables Black-Red and Connector 80A
23	68000154	Cable Bridge with Battery Terminals (+) (-)



Electrical Components Parts List

Item	Part Number	Component Descriptions
A	72102009	Bipolar Switch Green (Solenoid Valve Solution)
B	72102009	Bipolar Switch Green (Vacuum Motor)
C	72102009	Bipolar Switch Green (Motor Brushes)
D	911311	Key Switch Assembly
E	911167	Green Signal Protected 24V (Control Batteries)
F1	72400301	Fuse 3A (Controls)
F2	72403003	Maxifuse 30A (Vacuum Motor)
F3	72405002	Maxifuse 50A (Brush Motor)
H	67900001	Check Card Control Batteries 24V Lead Batteries
L	887550	Relay 24V 30A Faston (Vacuum Motor)
M1	68220370	Brush Motor 24V
M2	68120460	Vacuum Motor 24V with Plug
MI-1	911170	Microswitch 3x22 (Motor Brushes)
N	884750	Insulator M5x25 FF (Negative General)
P	68420230	Remote Control Switch 24V with Diode (Brush Motor)
Q	68522070	Coil Solenoid Valve 24V - 1/2

Item	Part Number	Cable Descriptions
1/6	68023001	Series Cables and connectors for Switches
1	68023033	4 Cables Black No. 1
2	68023034	Cable Brown No. 2
3	68023035	Cable Blue No. 3
4-5	68023036	3 Cables Red No. 4-5
6	68023014	2 Cables Brown-Blue No. 6
7	68023003	Cable Blue No. 7
8	68023004	4 Cables Red No. 8
9	68023005	2 Cables Black No. 9
10	68023006	Cable Red No. 10
11	68023007	Cables Suction Motor No. 11
12	72500011	Diode and Resistance with Terminal No. 12
13	68023002	Series Cables and Connector Brush Release No. 13
14	68023008	Cable Red + Condenser and Diode No. 14
15	68023009	Cable Black No. 15
17/18	68023029	2 Cables Black-Red Motor Brushes No. 17-18
19/20	68023037	2 Cables Black-Red and Connector 80A
21/22	68023038	2 Cables Black-Red and Connector 80A
23	68000154	Cable Bridge with Battery Terminals (+) (-)

ADJUSTMENTS & INSPECTIONS

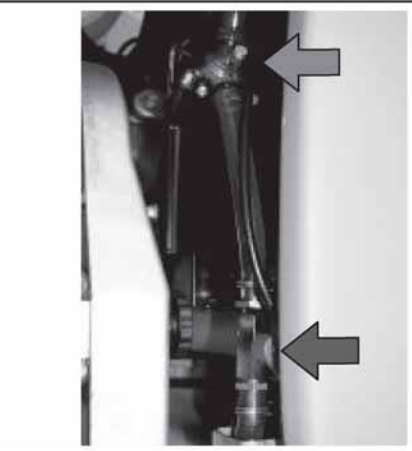
Inspection Water Supply

1. Check the cleanliness and the positioning of the solution tank filter.



2. Fill the solution tank completely with water.

3. Check the tightness of the hoses, solenoid valve (on left) and adjustment of the water valve (on right)



4. Make sure, that with the valve open, the solution arrives continuously on the floor.

Inspection of Vacuum

1. Check the function of the filter – float.
2. Check that the **cover** on the recovery tank is airtight.



3. Check that the vacuum hoses and the squeegee hose are airtight.
4. Check the tightness of the squeegee opening.

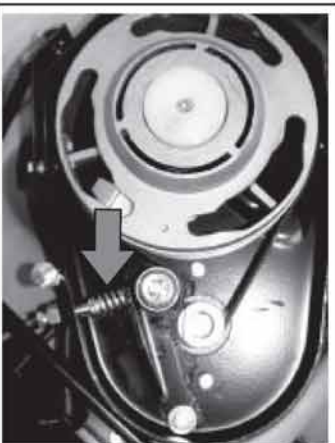
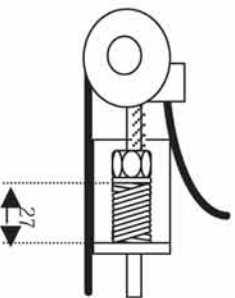


5. Verify the tightness of the drain hose and drain plug.

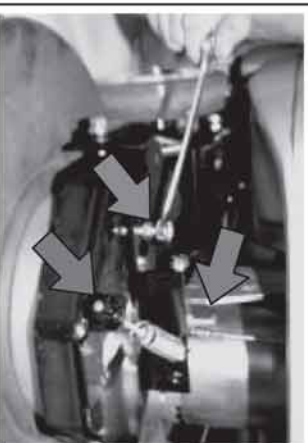
ADJUSTMENTS & INSPECTIONS

Brush Adjustment, 20B & 20BT – Forward movement

1. Adjust the spring belt tightener to a compression length of **27mm (1.06 inches)**.



2. Inclination adjustment: Let down the brushes and adjust the distance of the **screw M8 (center)** from the brush base to about 1 mm. Then tighten the nut. Excessive screwing causes the machine to pull to the right.



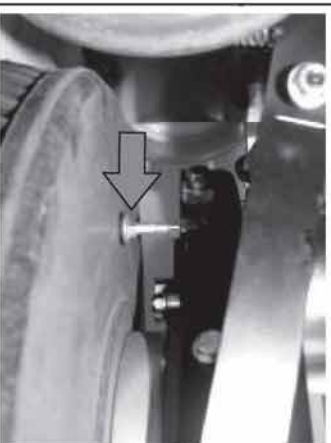
3. Adjustment of advancement without traction: Screw the **knob** with the plastic thread. Attention: excessive screwing increases the traction effect but decreases the width of the cleaned floor.
4. Inclination adjustment on machine with traction: if necessary adjust the **Knob** to obtain a neutral effect.
5. Adjustment Point III: Adjust **screw M6 (upper)**, so when the brush base is lifted, an Inclination about **3-4cm (1.18-1.57 in.)** on the front of the brush head is obtained. Make sure the brush motor does not touch the solution tank. Fix the **nut**.



6. Adjust the **support screw (lower left)**, so that the weight of the tank doesn't rest completely on the frame; fix the nut.
7. Tie rods: adjust the fork of the **vertical tie rod**, so that when the brush is lifted there are no interferences with the tank.
8. Adjust the fork of the **horizontal tie rod** and do not allow the lift arms of the brush base to touch the frame, also, the brush cover should not contact the solution tank. Furthermore check, that without brushes the brush holder is 0-1 mm from the floor.



9. Confirm the **screw with the round head rests on the plain top of the brushes**. The play between the head and brush must be maximally 1-2mm with coupled brushes and lowered brush head

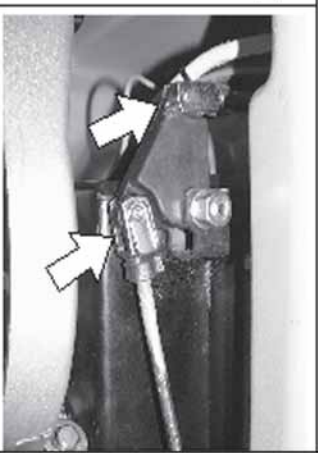


ADJUSTMENTS & INSPECTIONS

Cylindrical brush head adjustment

Adjustment of the brush head - lifted: to get the correct height when the brush head is lifted, adjust the **two forks** on the rear and underneath the solution tank.

The correct inclination of the brush head is automatically correct after the adjustment of **the screw** (next picture, top arrow) to obtain good brush tracks on the floor (see the following paragraphs)

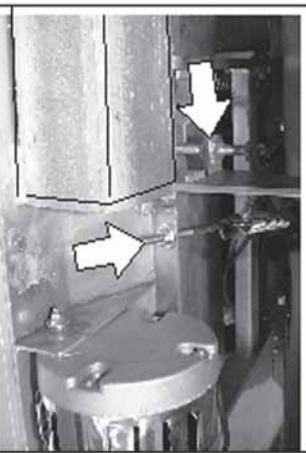


Adjustment of the brush head - lowered:

To get the same width of the brush tracks on the floor: adjust **the screw** (top arrow) that permits to equilibrate the balanced distribution of the weight (motor on the front).

To adjust the brush pressure on the floor: adjust **the knob** (right arrow) on the threaded rod connected to the frame by a spring. The spring's action reduces the brush pressure on the floor.

Check the track work on the floor for 30 seconds without water.



Tracks on the floor

Brake adjustment

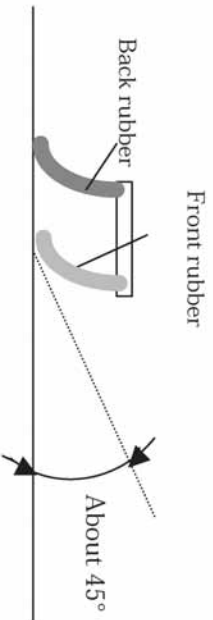
1. Adjustment hand brake: Verify the lever does not release more than 3-4 times. If necessary restore the correct range by adjusting the nut on the brake cable.
2. Adjustment of brake pads: Verify uniform brake effect. Try to turn the machine both left and right with the brake inserted: Checking that the wheels remain blocked in the same way.



ADJUSTMENTS & INSPECTIONS

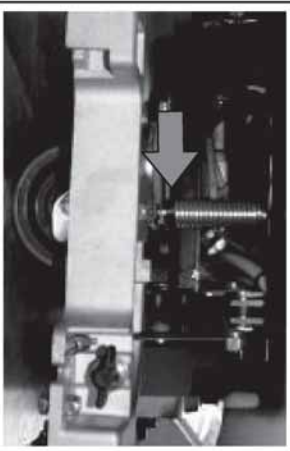
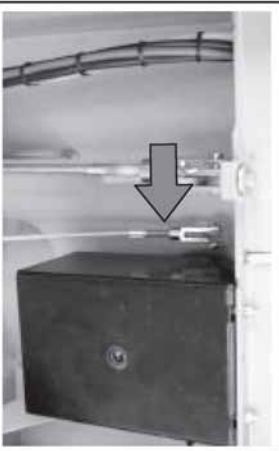
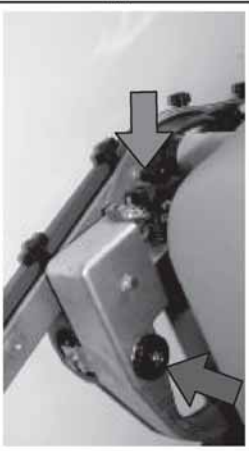
Adjustment Squeegee

1. Adjust the the inclination **controller (on left) of the rear** squeegee rubber while using to obtain a uniform inclination.
2. Adjust the wheel height with the **hand wheel (on right)** checking that the rubber has an inclination about 30°-45° and is not pressed down too much on the floor nor lifted too much.



3. Adjust lifting cable length with the corresponding controller, until the back rubber is lifted about 4-5 cm (1.57-1.97 inches) from the floor. The squeegee should not have contact with the tank outlet. Afterwards fix the nut.

4. Check that the **Spring ring** is completely closed.



Final inspection

Check all functions: scrubbing, suction, forward- and reverse gear and emergency brake.

WARRANTY POLICY LIMITED WARRANTY

The **Pacific** 20" Single-Disk Scrubber have been manufactured, tested and inspected in accordance with specific engineering requirements. This machine is WARRANTED to be free from defects in workmanship and materials for periods as follows from the date of purchase.

Ten (10) Years Parts, One (1) Year Labor – Polyethylene Components

Two (2) Years Parts, One (1) Year Labor – Brush Drive Motors

Five (5) Years Parts, One (1) Year Labor – Main Frame

One (1) Year Parts & Labor – All other components unless excluded below

Travel time for warranty repair is authorized for a period of ninety (90) days following the date of sale to the end user, with a maximum of three (3) hours per claim.

This warranty extends to the original user/purchaser and only when used, operated and maintained in accordance with **Pacific** Operating and Maintenance instructions.

This warranty does not apply to certain wear parts and accessories of the machine such as carbon motor brushes, floor brushes, belts, hoses, squeegee blades, etc., nor does it apply to damage or failure caused by improper use, abuse or neglect. Warranty credit or replacement of return parts including motors, pumps, etc., is subject to incoming inspection of those items.

To secure repair under this warranty, the following procedure should be taken:

1. After the expiration of the ninety (90) day travel time warranty period, the customer is responsible for warranty travel payment or the inoperative machine or warranted parts must be delivered to the authorized service center with shipping and delivery charges prepaid. If unable to locate a service center, you may contact **Pacific** at the address listed herein for the location of the nearest repair center or agent or for other instructions pertaining to your warranty difficulty.
2. Upon compliance with the above warranty procedure, all warranted repairs will be completed at no additional charge or cost to the user.
3. Only **Pacific** or its authorized dealers and agents may make no charge warranty repairs on this product. All others do so at their own risk.

This warranty limits **Pacific** liability to the repair of the product and/or warranted parts replacement and does not include incidental or consequential damages arising from the use of a **Pacific** machine whether defective or not.

BATTERY WARRANTY

In addition to the terms above, any original equipment **Pacific** Battery which becomes unserviceable under normal use within a period of ninety (90) days from date of sale to the original user will be repaired or replaced with one of equal specification at our option, F.O.B. **Pacific** or any authorized Service Branch, with no charge to user, except transportation costs. After the expiration of the above ninety (90) day period, any battery which fails under normal use will be adjusted to the original user with a new battery of equal specification on a twelve (12) month pro rata basis from the date of purchase. Adjustment will be determined using the then current list price, plus transportation costs. Warranty is rendered null and void if battery is not kept filled to the proper level with DISTILLED WATER.

This warranty is in lieu of all other expressed or implied warranties and is extended to the original purchaser/user.



PACIFIC

2259 South Sheridan Road
Muskegon, MI 49442

Phone: 231-773-1330 Fax: 231-773-1642

www.pacificfloorcare.com info@pacificfloorcare.com