

ScrubMaster 19E

INTRODUCTION

OPERATING & MAINTENANCE INSTRUCTIONS

READ THIS BOOK

This operator's book has important information for the use and safe operation of this machine. **Read and understand this manual before starting the machine.** Keep this book and tell all operators to read the book. If you do not follow the instructions, you can cause an injury or damage equipment, furniture or buildings

For new books write to:

Pacific Steamex, Inc.
2259 S. Sheridan
Muskegon, MI 49442-6252

Carefully inspect all components to ensure that there is no concealed freight damage. If such damage is discovered, file a "CONCEALED DAMAGE REPORT" immediately with the delivering carrier.

The contents of this manual are based on the latest product information available at the time of publication. Pacific Steamex reserves the right to make changes or improvements to its machines without notice

**FOR YOUR CONVENIENCE, RECORD THE
MACHINE MODEL AND SERIAL NUMBER:**

MODEL _____
SERIAL NUMBER _____

OPERATOR SAFETY INSTRUCTIONS

To assure the safe operation of this machine, you must read and understand all warnings and instructions in this book. If you do not understand, ask your supervisor.

WARNING: If you do not follow the instructions given in a warning, you or other persons could be injured, or damage could occur to the machine and/or property.

- 1 You must be trained to operate this machine. This machine is to be operated for its intended use only.
- 2 Do not operate this machine unless it is completely assembled.
- 3 Do not connect this machine to improper voltage. Always use a 3-wire grounded electrical supply. *See electrical section below*
- 4 To prevent electrical shock, always disconnect the electrical plug on the machine from the electrical outlet before performing any repairs, maintenance or cleanup and when leaving the machine unattended.
- 5 To prevent electrical shock, keep the machine surface dry. Do not immerse or subject to rain. Store the machine in a dry building area. Clean the machine with a clean dry cloth only.
- 6 Do not use this machine near flammable liquids, solvents, gas, vapors or dust. Do not use flammables to clean this machine.
- 7 Maintenance or repairs to this machine must be performed by a qualified or authorized person.
- 8 Avoid damage to the machine's electrical cord. Always lift the cord over the machine. Do not run the machine over the electrical cord.
- 9 If warning or instruction labels are missing or damaged, order new replacement labels from Pacific Steamex Cleaning Systems, Inc.
- 10 Read the labels carefully on the machine. Do not cover them for any reason and replace them immediately if damaged.
- 11 The machine is not suitable to clean carpets.

WARNING! Electrical Grounding Instructions

GROUNDING INSTRUCTIONS

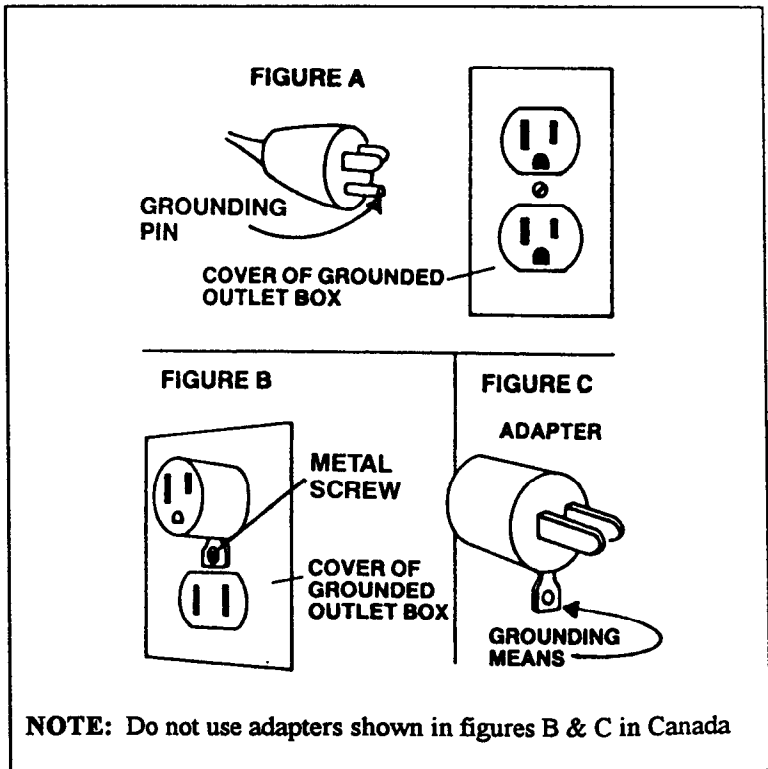
This machine shall be grounded while in use to protect the operator from electric shock. The machine is provided with a three-conductor cord and three-contact grounding type attachment plug to fit the proper grounding type receptacle. The green (or green and yellow) conductor in the cord is the grounding wire. Never connect this wire to other than the grounding pin of the attachment plug.

If the machine is provided with an attachment plug as shown in Figure A, it is intended for use on a nominal 120 volt circuit. If a properly grounded receptacle as shown in figure A is not available, an adapter as shown in Figure C should be installed as shown in Figure B if the outlet box that houses the receptacle is grounded. Be sure to fasten the grounding tab with a metal faceplate screw.

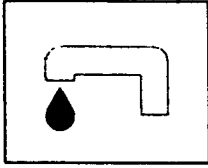
EXTENSION CORDS

Use only three-wire 12/3 or larger gauge approved extension cords that have three-prong grounding type plugs and three-pole receptacles that accept the appliance's plug. Replace or repair any damaged cords or plugs.

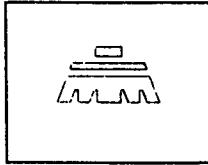
When servicing, refer to authorized person only. Use only identical replacement parts.



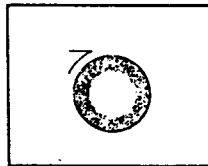
Symbology Used on the Machine



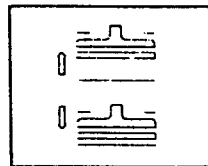
Symbol denoting water valve
It is used to indicate the solenoid valve switch



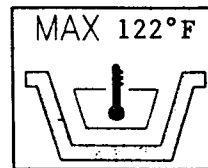
Symbol denoting brush
It is used to indicate the brushes motor switch



Symbol denoting vacuum motor
It is used to indicate the vacuum motor switch



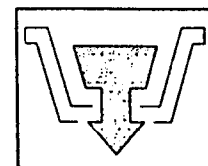
Symbol denoting up - down of the squeegee
It is used to indicate the squeegee lever



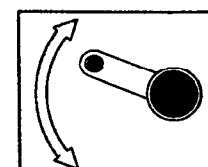
Indication of the recommended maximum temperature of the solution
Placed near the fill opening of the solution tank



Indicates the circuit breaker which protects the brush motor
It is used on the handle bar to indicate the reset location of the circuit breaker



Indicates the drain hose of the recovery tank

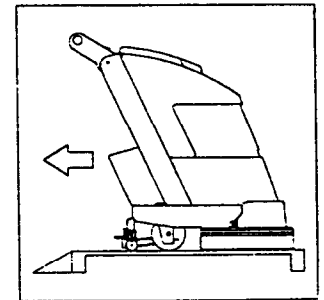
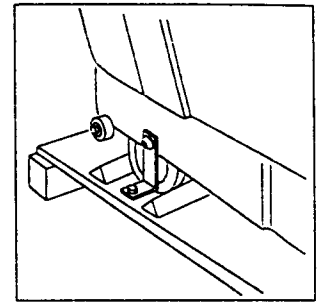


Indicates the regulation lever for the handle bar height

Machine Preparation

1. How to Unpack the Machine

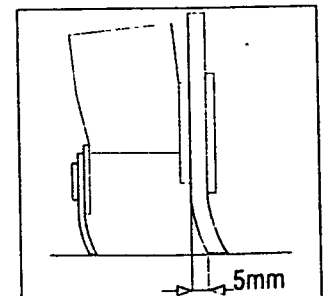
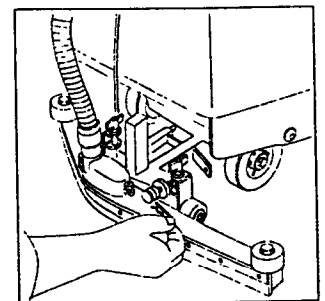
1. Take off the outer package.
2. The machine is fixed on the pallet with metallic brackets.
3. Take off these brackets and possible wedges which block the wheels.
4. Using a ramp, get the machine down from the pallet, pushing it in reverse motion. Avoid violent blows to the base.
5. Keep the pallet and the fixing brackets for eventual transport necessities.



2. Squeegee

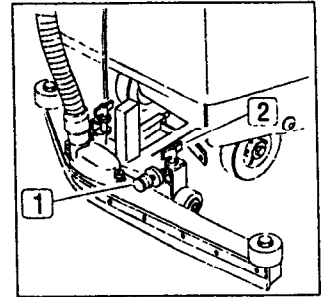
The squeegee, which is packed separately from the machine, should be assembled as shown in the figure, then fit the holding pin into the squeegee stud bolt. Fit the suction hose into its coupling.

During working operation, the rear blade has to work slightly tilted backwards and this equally in its whole length for about 3/16 inches. If it is necessary to increase the blade bending in the central part, then tilt the squeegee body backwards and turn the adjuster (1) counterclockwise. If the blade bending is to be noticeable at the sides of the squeegee, turn the adjuster clockwise.



3. Regulation Squeegee Height

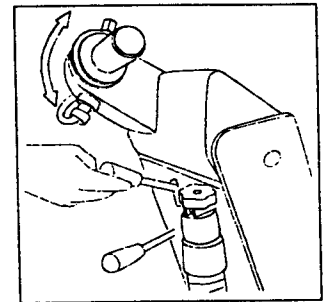
The squeegee has to be regulated depending on the wearing of the blades. To adjust this rotate the knob (2) clockwise to lift the squeegee and counterclockwise to lower it. **Note:** The right and left wheels must be regulated the same amount so that the squeegee works in parallel to the floor.



4. Height Handle Bar

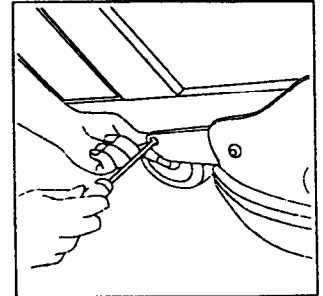
The handle bar is adjustable in three different position:

1. Release the lever.
2. Put the handle bar at the desired height, compatibly with the clamping holes.
3. Release the lever.

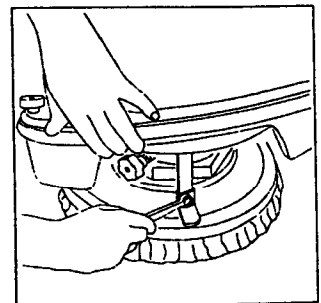


5. Splash Guard Cover

The cover and the regulation bracket which are packed separately, have to be assembled as shown in the figure. Assemble the cover by inserting the arms onto the side pins of the frame. Check that the washer is placed between the arms and the frame. Screw onto the pins the screws with the underscrews.

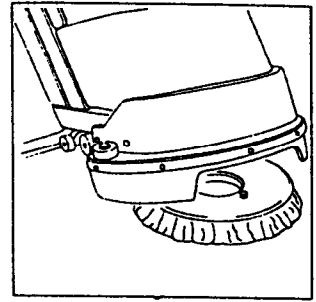


The regulation bracket should be removed and is done by taking off the fixing screw. Position the bracket as shown in the figure, adjust the height so that the cover does not touch the floor and fix the screw with a suitable wrench.

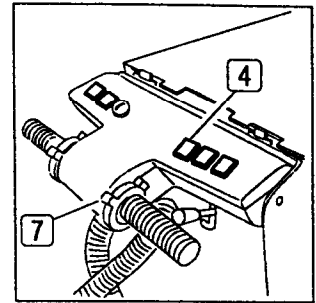


6. **Brush Assembly**

1. Tilt the machine back.
2. Move it onto the brush so that it covers the center of the hub.
3. Lower the machine onto brush.
4. Plug into the mains system.

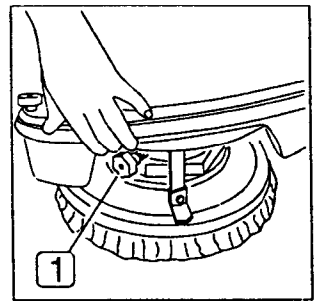


5. Press the switch ON/OFF and the lever on the handle bar.



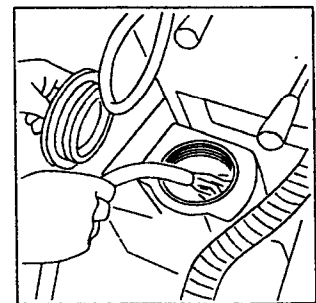
7. **Forward Speed**

The forward speed of the machine can be regulated by means of the knob shown in the figure. Should the traction be insufficient, turn the knob clockwise. If the traction is too high, turn the knob counterclockwise.



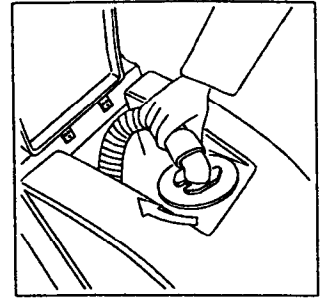
8. **Solution Water**

Fill the solution tank with clean water at a temperature not more than 122°F and add liquid detergent in the proper concentration following the instructions of the manufacturer. Excess foam in the recovery tank could damage the suction motor, so use only the minimum amount of detergent necessary. **Note:** Always use low foaming detergent. To avoid the production of foam, before starting to clean, put a minimum quantity of antifoam liquid into the recovery tank. Never use pure acid.

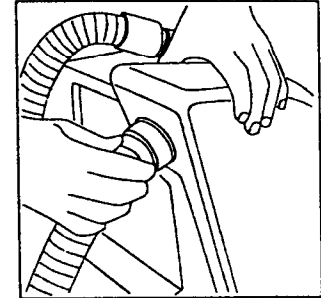


9. **Recovery Tank**

Open the cover and check that the cap is properly locked by fitting the notches into its seat and rotating it clockwise.



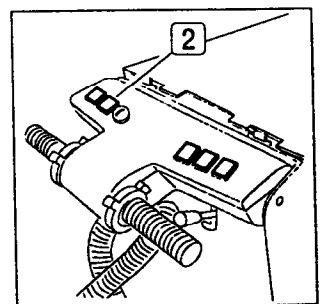
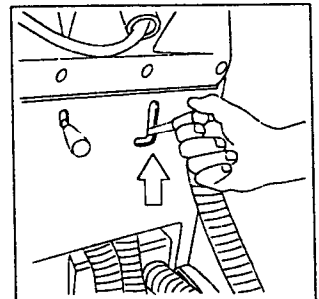
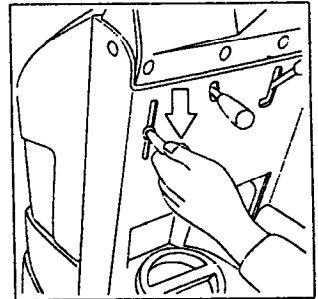
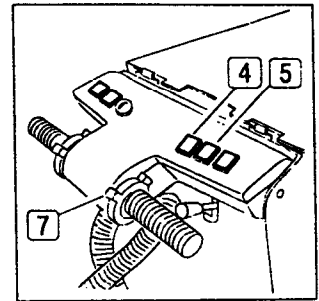
Move forward the recovery tank and check that the suction hose is fitted in its housing.



Operation

1. Carry out the operations for the preparation of the machine.
2. Plug the power cord into a wall outlet of proper voltage.
3. Press the main switch (4) and check that the green signal lamp comes on.
4. Using the flow of the water valve, adjust the amount of detergent solution, which should be just enough to wet the floor evenly, but not so much as to flow past the splash guard. One should recall that, the correct amount of solution to be used depends on the type of floor to be cleaned, the kind of dirt and the operation speed.
5. Using the right lever, lower the squeegee.
6. Press the vacuum motor switch (5, fig.1).
7. Push the lever on the handle bar (7, fig.1). At this point the machine can work efficiently until the detergent solution runs out and the tank is empty.

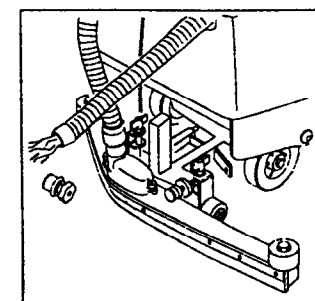
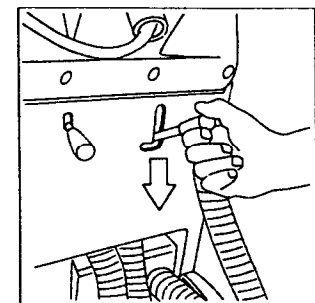
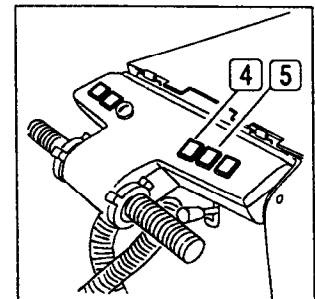
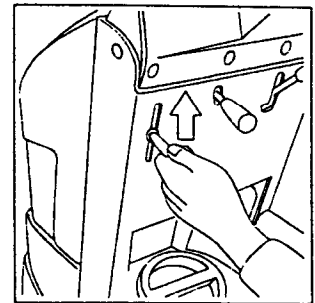
The machine is equipped with a circuit breaker (2), placed on the handle bar which interrupts the current to the brush motor, when it exceeds the predetermined load. In order to start up the machine again, press the push button (2). If the circuit breaker interrupts the current continuously, it is necessary to call the Pacific Steamex Service Department.



On Completion of the Work

Having finished the job and before any type of maintenance is done on the machine, carry out the following operations:

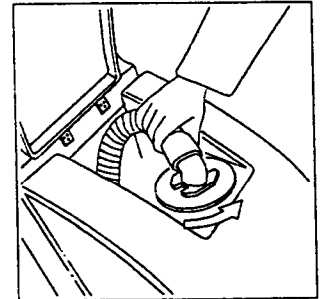
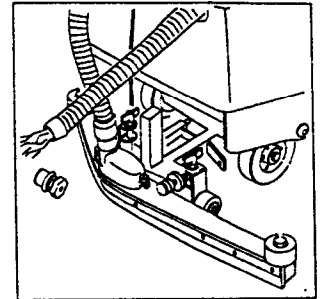
1. Close the water valve.
2. Switch off the vacuum motor.
3. Switch off the main switch.
4. Remove the plug from the wall electrical outlet.
5. Lift the squeegee by raising the lever.
6. Tilt the machine back to raise the brush from the floor.
7. Push the machine to the place provided with water drains.
8. Take off the drain hose from its hook, unscrew the drain plug and empty the recovery tank. This operation has to be carried out using gloves to protect from contact with dangerous solutions.
9. The squeegee has to be lifted when the machine is not operating. In this way damage to the squeegee blades is avoided.
10. Take off the brush and clean it with a water jet (for the brush disassembly please read further on under "DISASSEMBLY OF THE BRUSH").



Daily Maintenance

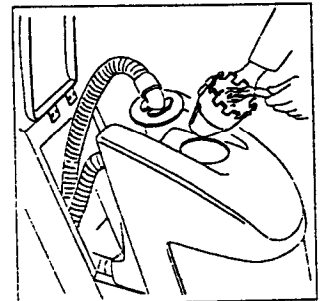
Cleaning of the Recovery Tank

1. Take off the drain hose from the hook.
2. Unscrew the drain plug and empty the tank.
3. Lift the cover.
4. Take off the plug by rotating it counter-clockwise.
5. Rinse out everything with a water jet.



It is possible to completely take off the recovery tank as follows:

1. Move the tank from its seat.
2. Take off the suction hose.
3. Remove the filter and its protection.
4. Remove the tank from the machine.
5. Carry out the cleaning and washing operations.
6. To reassemble the tank complete the above-mentioned operations in reverse order.



Cleaning Of the Squeegee

In order to have the best drying results, check that the squeegee is clean. To clean the squeegee:

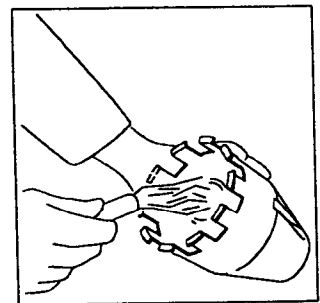
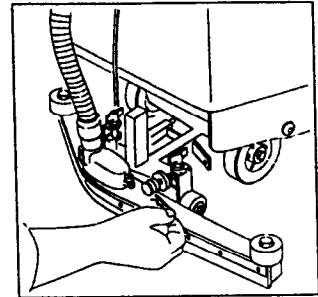
1. Take off the suction hose from the squeegee.
2. Clean the inside of the squeegee thoroughly.
3. Clean the squeegee blades.
4. Put the suction hose back into its original position.

Replacement Of The Squeegee Blades

Check the squeegee blades wear and if necessary, change them or reverse cleaning edges.

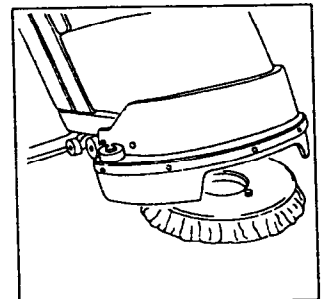
To replace them:

1. Take off the suction hose from its coupling.
2. Take off the pin from the stud bolt.
3. Remove the squeegee from its support.
4. Loosen the nuts which lock the rubber blades and take them off.
5. Replace the blades.
6. To reassemble the squeegee repeat the above-mentioned operations.



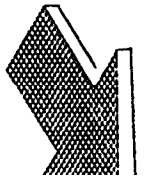
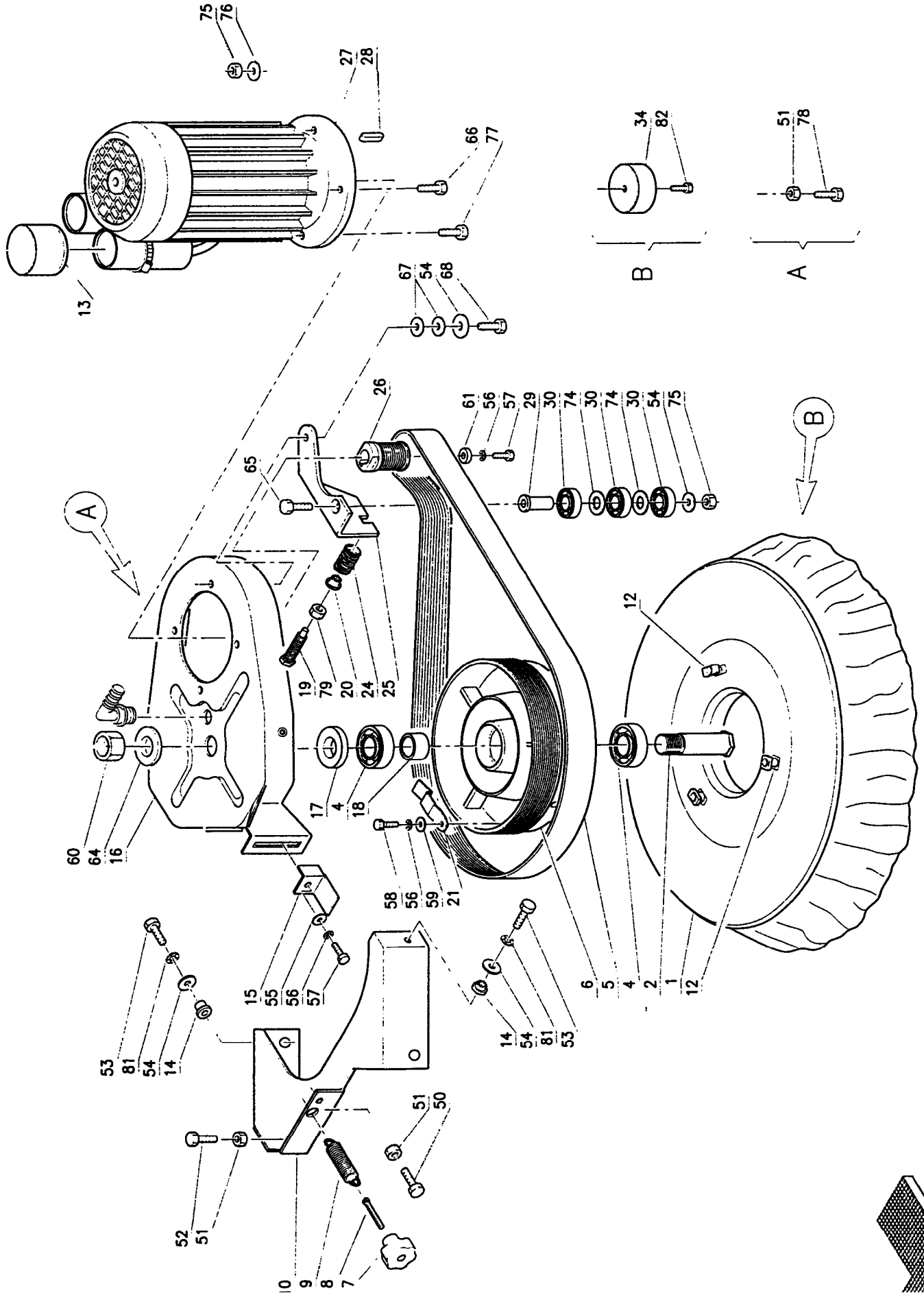
Cleaning Of The Suction Filter

1. Lift the cover.
2. Take off the plug by rotating it counter-clockwise.
3. Take off the filter with the antifoam protection.
4. With a water jet clean the walls and the bottom of the filter.
5. If necessary, loosen the screws which hold the filter to the antifoam protection.
6. Rotate the filter counter-clockwise until it is released.
7. Thoroughly wash all components.
8. To reassemble the filter repeat the above-mentioned operations.



Disassembly Of The Brush

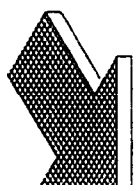
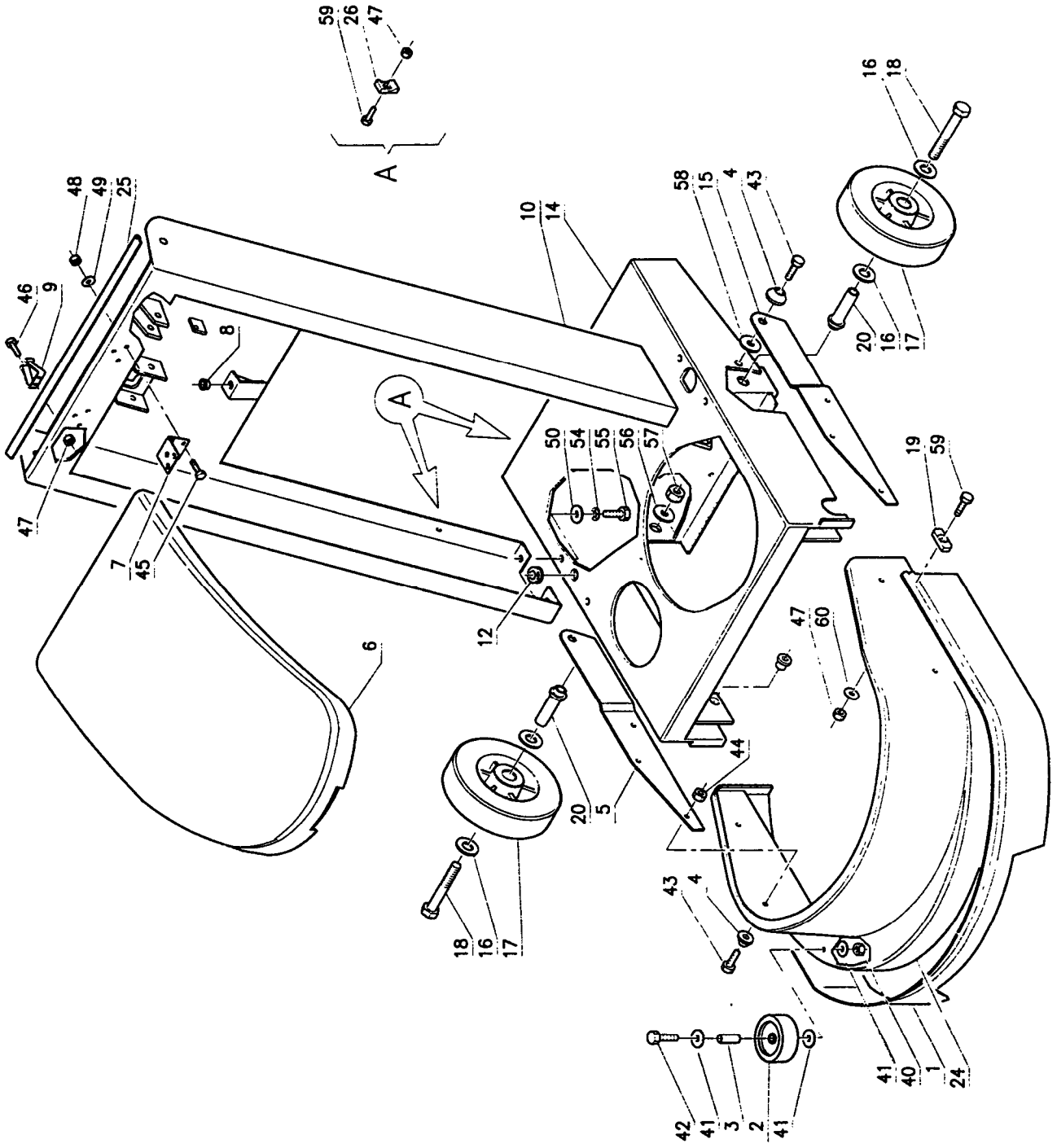
1. Switch on the main switch.
2. Tilt the machine back until the brush is raised from the floor.
3. Push with impulses the lever on the handle bar.



Parts List

Item	Part Number	Description	Qty.
1A	880940	Brush - Scrub	1
1B	885940	Driver - Pad	1
1C	884541	Holder - Pad	1
2	887740	Shaft	1
4	902031	Bearing	2
5	903016	Belt	1
6	886940	Pulley	1
7	885040	Knob	1
8	880540	Adjuster	1
9	888340	Spring	1
10	888545	Support	1
12	885146	Lug Drive	3
13	888546	Shroud	1
14	881140	Bushing	4
15	888547	Support	1
16	881340	Base Bearing Housing	1
17	888240	Spacer	1
18	888241	Spacer	1
19	880541	Adjuster	1
20	881141	Bushing	1
21	888341	Spring	1
24	888342	Spring	1
25	880840	Bracket	1
26	886941	Pulley	1
27	885240	Motor 115V Br. Dr.	1
28	885041	Key	1
29	881142	Bushing	1

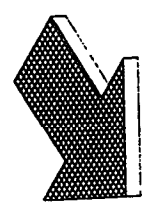
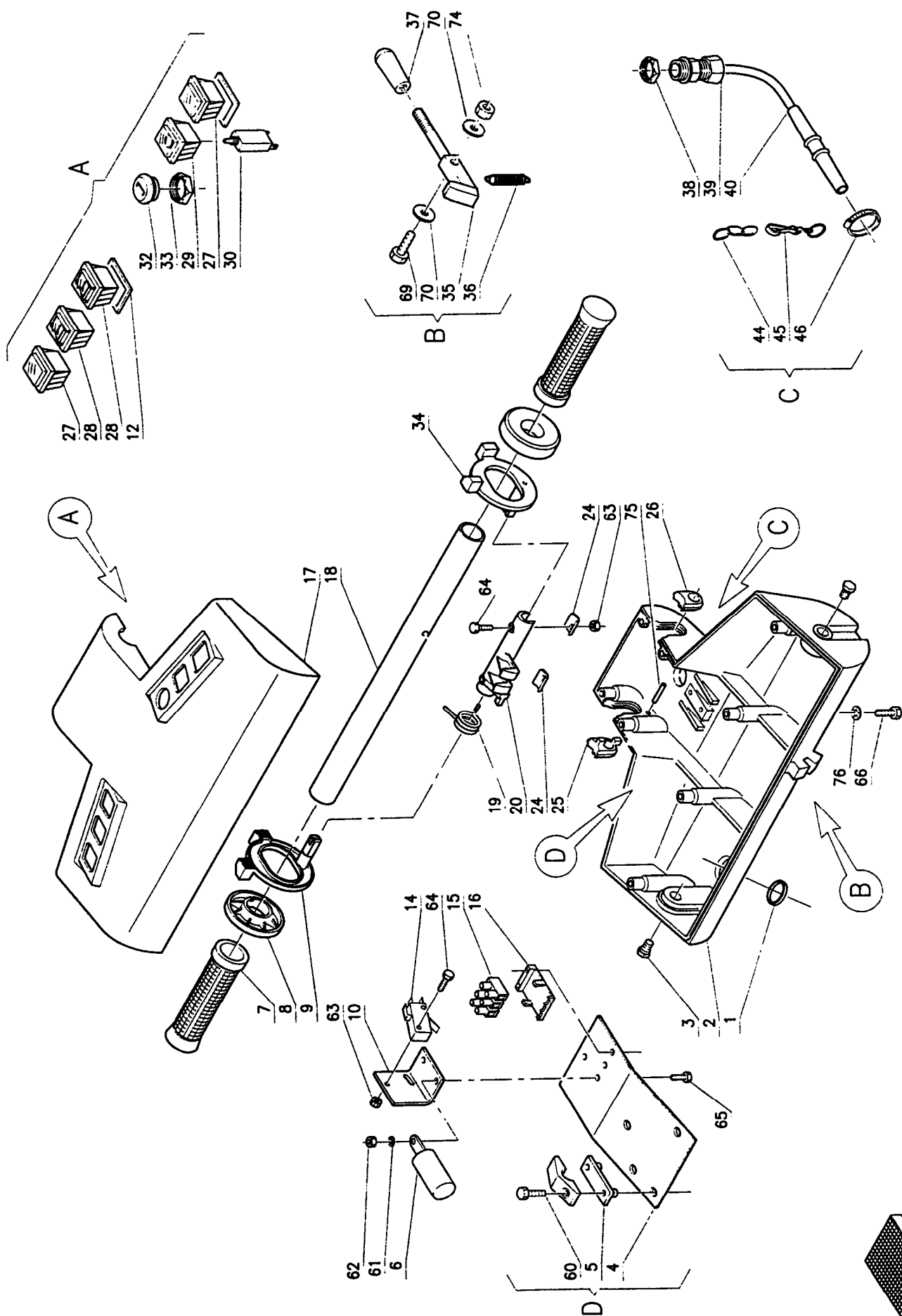
30	902032	Bearing	3
34	980620	Washer - Special	1
50	964084	Screw	-
51	924035	Nut	-
52	964085	Screw	-
53	964086	Screw	-
54	980044	Washer	-
55	980042	Washer	-
56	980045	Washer	-
57	964087	Screw	-
58	964088	Screw	-
59	980040	Washer	-
60	924040	Nut	-
61	980049	Washer	-
64	980050	Washer	-
65	964089	Screw	-
66	964090	Screw	-
67	980051	Washer	-
68	964091	Screw	-
74	980052	Washer	-
75	924033	Lock Nut	-
76	980039	Washer	-
77	964092	Screw	-
78	964093	Screw	-
79	924039	Nut	-
81	980053	Washer	-
82	964094	Screw	-



Parts List

Item	Part Number	Description	Qty.
1	883640	Guard - Splash	1
2	889740	Wheel	1
3	888242	Spacer	1
4	980621	Washer - Special	6
5	880340	Arm - R.H.	1
6	882340	Cover	1
7	884540	Hinge	2
8	881143	Bushing	1
9	882440	Coupler	1
10	883240	Frame - Upper	1
12	883840	Grommet	1
14	883241	Frame - Lower	1
15	880341	Arm - L.H.	1
16	980622	Washer - Special	4
17	889741	Wheel	2
18	960029	Screw	2
19	882131	Clip Guard	7
20	881144	Bushing	2
24	882341	Cover	1
25	888243	Spacer Frame	0.4

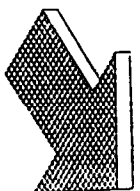
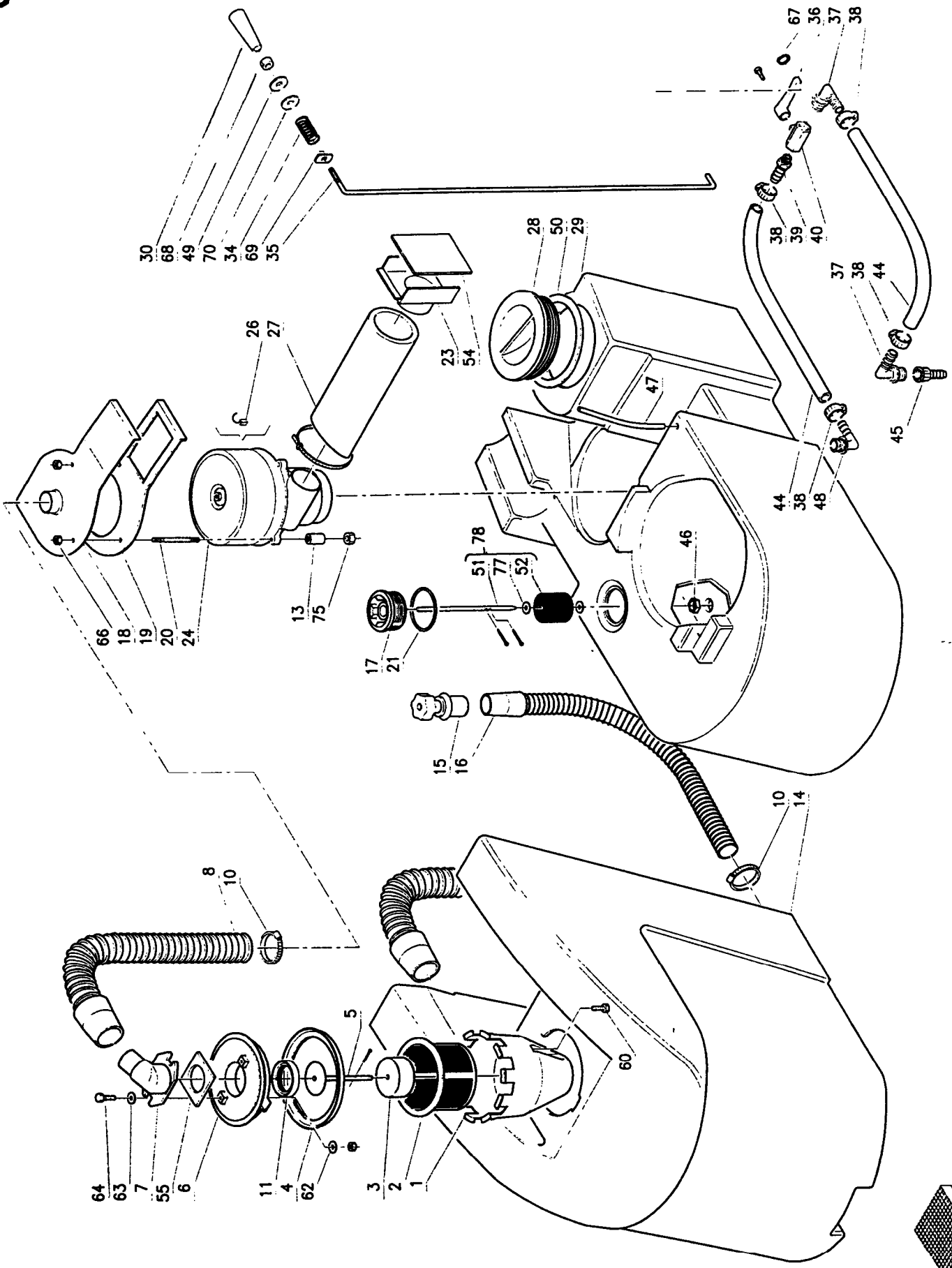
26	886640	Plate Support	2
40	924026	Lock Nut	-
41	980040	Washer	-
42	964095	Screw	-
43	964096	Screw	-
44	924032	Lock Nut	-
45	964097	Screw	-
46	964098	Screw	-
47	924029	Lock Nut	-
48	924041	Nut	-
49	980054	Washer	-
50	980039	Washer	-
54	980053	Washer	-
55	964086	Screw	-
56	980055	Washer	-
57	924042	Nut	-
58	980056	Washer	-
59	964099	Screw	-
60	980057	Washer	-



Parts List

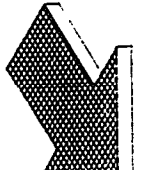
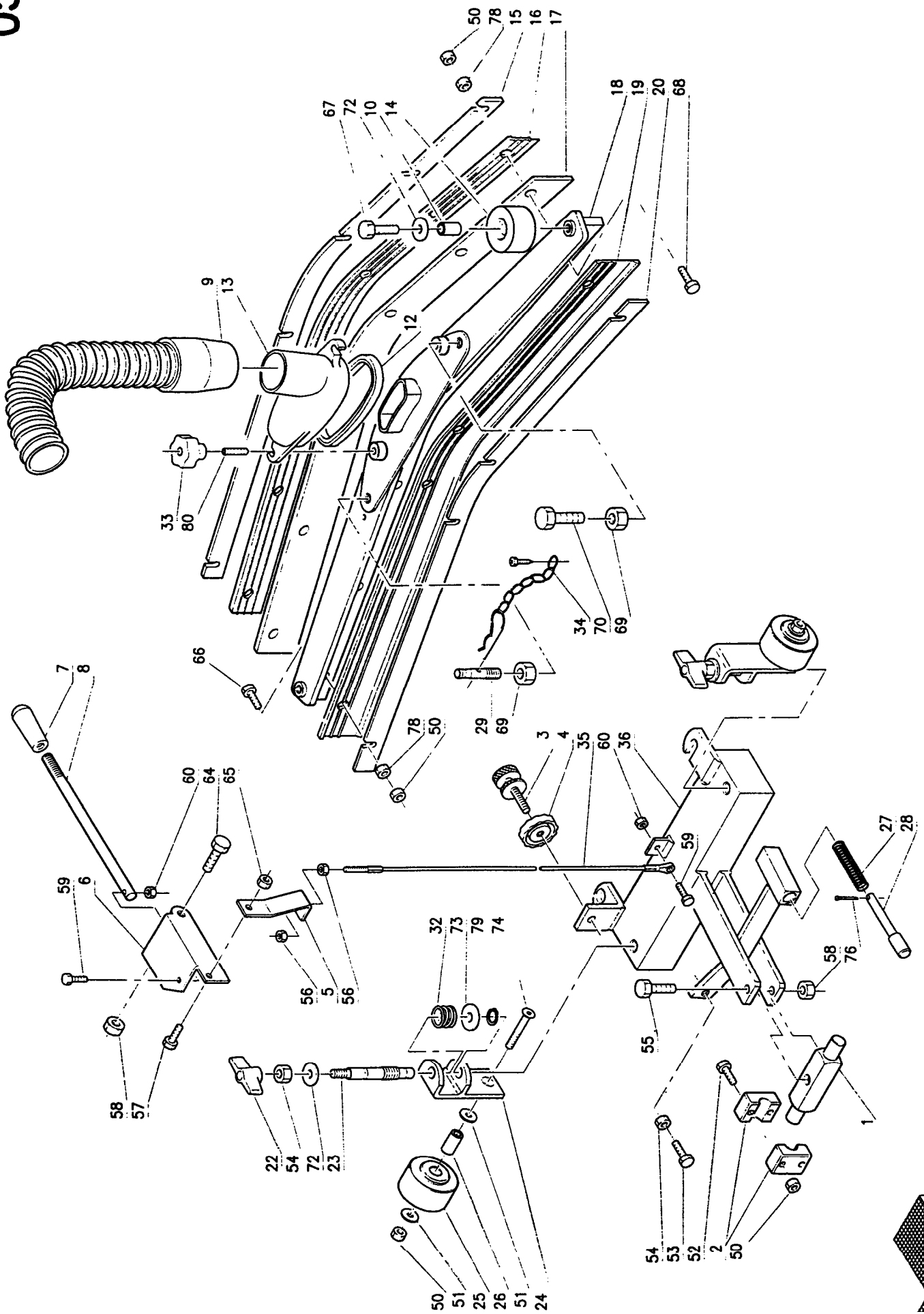
Item	Part Number	Description	Qty.
1	883841	Grommet	1
2	881341	Body Handle Bar	1
3	960028	Screw	2
4	887040	Panel	1
5	883340	Fastener Cable	1
6	883335	Filter - Antijamming	1
7	885042	Knob	2
8	980623	Washer - Special	2
9	885141	Lever - R.H.	1
10	888548	Support	1
12	883440	Gasket	5
14	911170	Switch - Micro	1
15	881342	Board Terminal	1
16	884040	Holder	1
17	882342	Cover Handle Bar	1
18	886040	Pipe	1
19	888343	Spring	1
20	887741	Shaft	1
24	882140	Clip - Retaining	2
25	887240	Retainer - R.H.	1
26	887241	Retainer - L.H.	1
27	882343	Cover	2
28	911168	Switch	2
29	882344	Cover	1
30	911174	Switch - Safety	1

32	886840	Plug	1
33	924036	Nut	1
34	885142	Lever - L.H.	1
35	885143	Lever	1
36	888344	Spring	1
37	885043	Knob	1
38	924036	Nut	1
39	883342	Fitting	1
40	888130	Sleeve	1
44	882441	Chain	1
45	884533	Hook	1
46	882040	Clamp	1
60	964100	Screw	-
61	980058	Washer	-
62	924031	Nut	-
63	924043	Lock Nut	-
64	964101	Screw	-
65	964070	Screw	-
66	964102	Screw	-
69	964103	Screw	-
70	980039	Washer	-
74	924033	Lock Nut	-
75	886741	Pin	-
76	980041	Washer	-



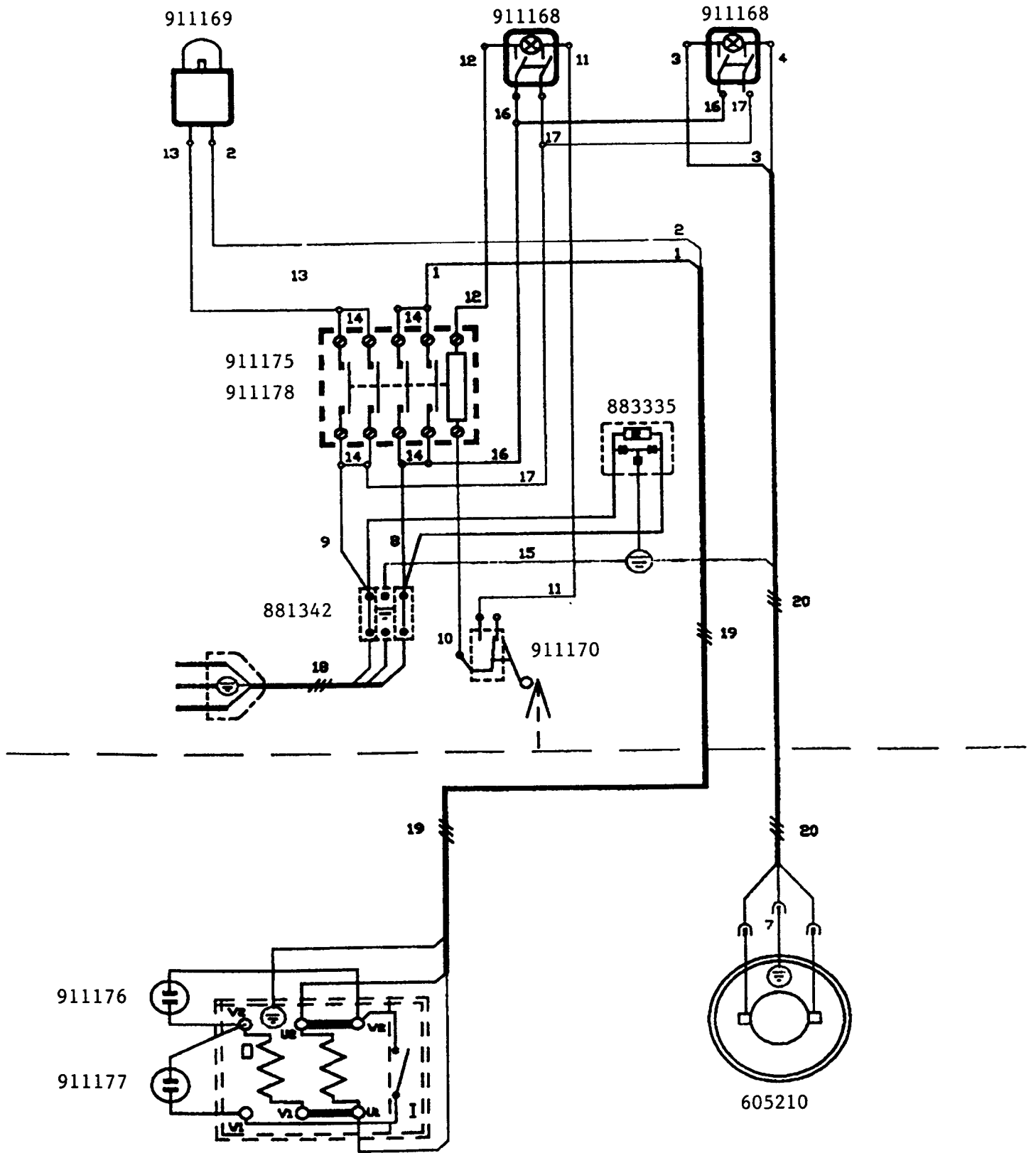
Parts List

Item	Part Number	Description	Qty.
1	888551	Shroud	1
2	883343	Filter	1
3	883344	Float	1
4	883441	Gasket	1
5	887440	Rod	1
6	886841	Plug	1
7	882442	Coupling	1
8	884140	Hose - Vacuum	1
10	882041	Clamp	2
11	883442	Gasket	1
13	888244	Spacer	3
14	888640	Tank - Recovery	1
15	886842	Plug - Drain	1
16	884141	Hose - Drain	1
17	886843	Plug	1
18	882345	Cover	1
19	883443	Gasket	1
20	888440	Stud Bolt	3
21	885840	O-Ring	1
23	883345	Fitting	1
24	S322P	Motor - Vacuum 115 volt	1
26A	200951	Brush Motor	2
26B	880933	Brush Motor w/o Holder	2
27	884142	Hose - Sound Deadening	1
28	886844	Cover	1
29	888641	Tank - Solution	1
30	885044	Knob	1
34	888345	Spring	1
35	887441	Rod	1
36	885144	Lever	1
37	883346	Fitting	2
38	882042	Clamp	4
39	883347	Fitting	1
40	889440	Valve	1
44	884143	Hose	2
45	883348	Fitting	1
46	924044	Nut Ring	1
47	884144	Hose - Vent	1
48	883349	Fitting	1
49	980621	Washer	1
50	883444	Gasket	1
51	887442	Rod	1
52	883350	Filter - Solution	1
54	883445	Gasket	1
55	883446	Gasket	1
60	964104	Screw	-
61	924045	Nut	-
62	980059	Washer	-
63	980060	Washer	-
64	964105	Screw	-
66	924026	Lock Nut	-
67	887340	Ring Clip	-
68	924046	Nut	-
69	924047	Nut	-
70	980061	Washer	-
75	924048	Nut	-
77	980062	Washer	-
78	883351	Filter Assembly Solution	1



Parts List

Item	Part Number	Description	Qty.
1	887742	Shaft	1
2	882043	Clamp	4
3	880551	Adjuster	1
4	924049	Nut - Adjusting	1
5	882443	Coupling	1
6	888552	Support	1
7	885043	Knob	1
8	885145	Lever	1
9	884145	Hose - Squeegee	1
10	881145	Bushing	2
12	883447	Gasket	1
13	880240	Adaptor	1
14	889742	Wheel	2
15	887242	Retainer - Rear	1
16	880740	Blade - Rear Rubber	1
17A	880741	Blade Pick Up Smooth Floor	1
17B	880743	Blade Pick Up Concrete Floor	1
18	881343	Body Squeegee	1
19	880742	Blade - Front Rubber	1
20	887243	Retainer - Front	1
22	885045	Knob	2
23	925604	Pin	2
24	888553	Support	2
25	889743	Wheel	2
26	881146	Bushing	2
27	888346	Spring	1
28	886743	Pin	1
29	888441	Stud Bolt	1
32	888346	Spring	2
33	885046	Knob	2
34	882444	Chain	1
35	882445	Cable	1
36	880841	Bracket Assembly	1
50	924050	Lock Nut	-
51	980040	Washer	-
52	964079	Screw	-
53	964086	Screw	-
54	924035	Nut	-
55	964106	Screw	-
56	924051	Nut	-
57	964107	Screw	-
58	924033	Lock Nut	-
59	964065	Screw	-
60	924032	Lock Nut	-
64	964108	Screw	-
65	924052	Nut	-
66	964109	Screw	-
67	964025	Screw	-
68	964110	Screw	-
69	924053	Nut	-
70	964111	Screw	-
72	980039	Washer	-
73	980063	Washer	-
74	964112	Screw	-
76	925607	Split Pin	-
78	924054	Nut	-
79	887341	Ring	-
80	925606	Dowel Pin	-
	888554	Squeegee Assembly	1



WARRANTY POLICY

SCRUBMASTER 19E

The Pacific Steamex Inc. Scrubmaster 19E has been manufactured, tested and inspected in accordance with specific engineering requirements and is WARRANTED to be free from defects in workmanship and materials as follows:

Ten (10) Years - Polyethylene Components

Five (5) Years - Main Frame

One (1) year – All other components unless excluded below.

This warranty extends to the original user/purchaser and only when used, operated and maintained in accordance with Pacific Steamex Inc. Operating and Maintenance instructions.

This warranty does not apply to the following wear parts and accessories of the machine including:

<u>Part Number</u>	<u>Part Name</u>
880940	Brush, Scrub
885940	Driver Pad
903016	Belt
883640	Splash Guard
889741	Wheel
884141	Hose-Drain
200951	Brush-Vac. Motor
880933	Brush-Vac Motor w/o Holder
886844	Cover
884145	Hose-Squeegee
880740	Blade-Rear Rubber
880741	Blade Pick Up Smooth Floor
880743	Blade Pick Up Concrete Floor
880742	Blade-Front Rubber

Nor does it apply to damage or failure caused by improper use, abuse or neglect. Warranty credit or replacement of return parts including motors, pumps, etc , is subject to incoming inspection of those items.

To secure repair under this warranty, the following procedure should be taken

- The inoperative machine or warranted parts must be delivered to the authorized dealer with shipping and delivery charges prepaid. If unable to locate the Dealer, you may contact Pacific Steamex Inc at the address listed herein for the location of the nearest Pacific Steamex Inc. repair center or agent or for other instructions pertaining to your warranty difficulty
- Upon compliance with the above warranty procedure, all warranted repairs would be completed at no additional charge or cost to the user
- Only Pacific Steamex Inc. or its authorized dealers and agents may make no charge warranty repairs on this product. All others do so at their own risk.

This warranty limits Pacific Steamex Inc. liability to the repair of the product and/or warranted parts replacement and does not include incidental or consequential damages arising from the use of a Pacific Steamex Inc. machine whether defective or not.

This warranty is in lieu of all other expressed or implied warranties and is extended to the original purchaser/user.

PACIFIC STEAMEX, INC.
2259 S. SHERIDAN
MUSKEGON, MICHIGAN 49442-6252
1-800-968-1332
FAX 1-800-863-9536