

# ScrubMaster 20B

## Single Disc Automatic Scrubber

### INTRODUCTION

---

This operator's book has important information for the use and safe operation of this machine. **Read and understand this manual before starting the machine.** Keep this book and tell all operators to read the book. If you do not follow the instructions, you can cause an injury or damage equipment, furniture or buildings.

For new books write to:

*Pacific Steamex, Inc.*  
2259 S. Sheridan  
Muskegon, MI 49442-6252

Carefully inspect all components to ensure that there is no concealed freight damage. If such damage is discovered, file a "CONCEALED DAMAGE REPORT" immediately with the delivering carrier.

### OPERATING & MAINTENANCE INSTRUCTIONS

---

#### READ THIS BOOK

The contents of this manual are based on the latest product information available at the time of publication. Pacific Steamex reserves the right to make changes or improvements to its machines without notice.

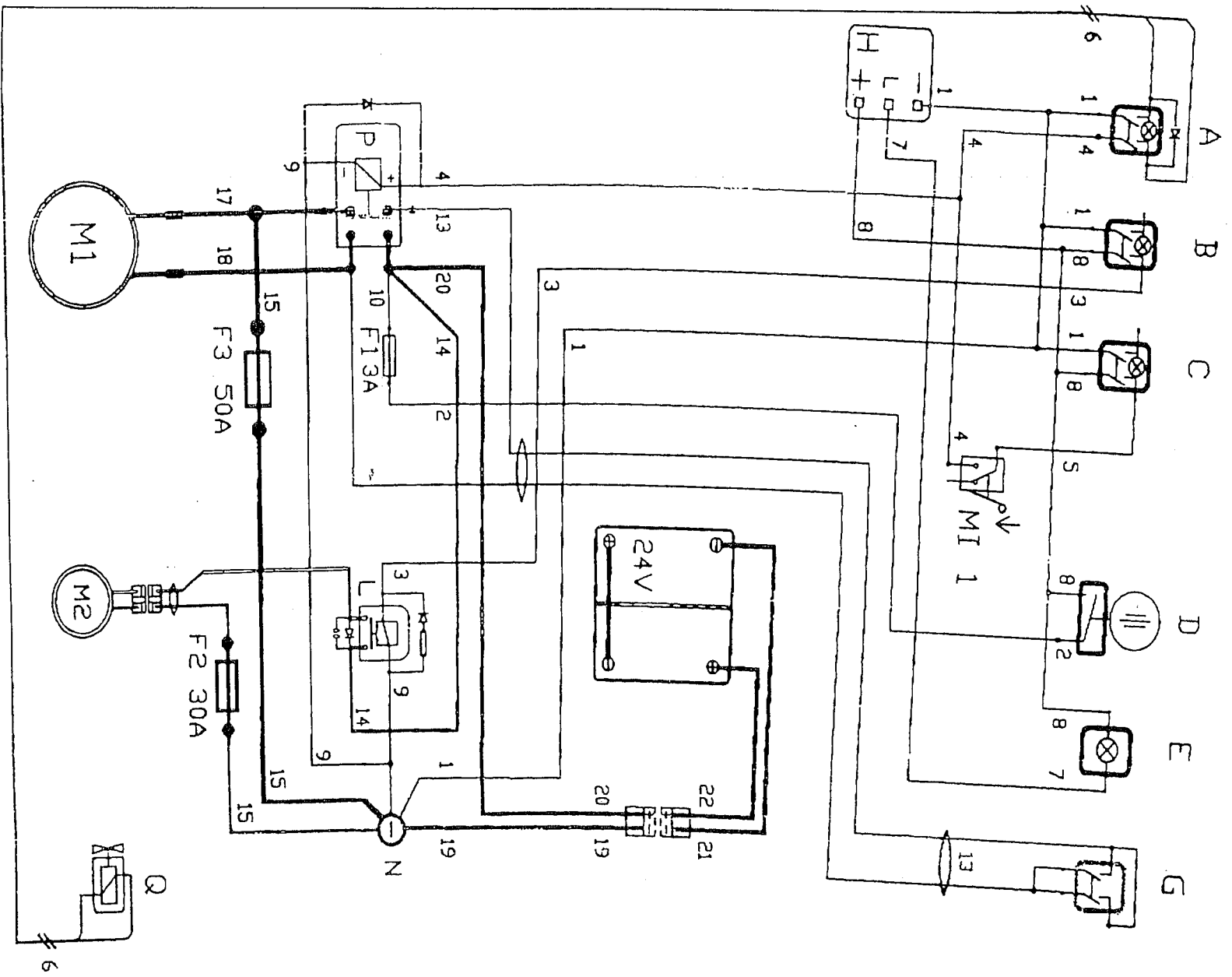
**FOR YOUR CONVENIENCE, RECORD THE  
MACHINE MODEL AND SERIAL NUMBER:**

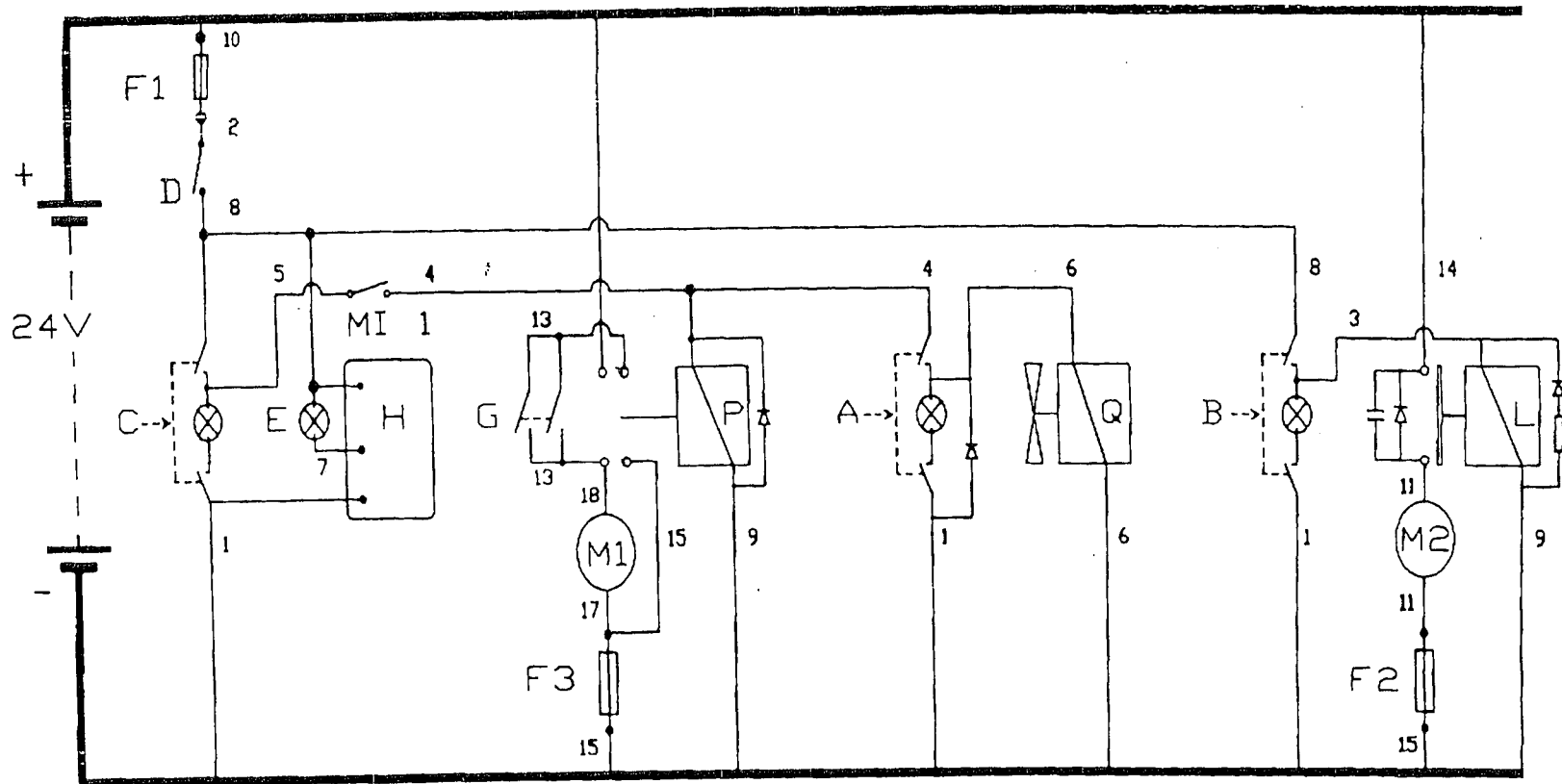
MODEL \_\_\_\_\_  
SERIAL NUMBER \_\_\_\_\_

## ELECTRICAL COMPONENTS AND CABLES

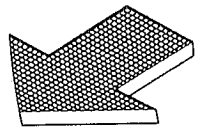
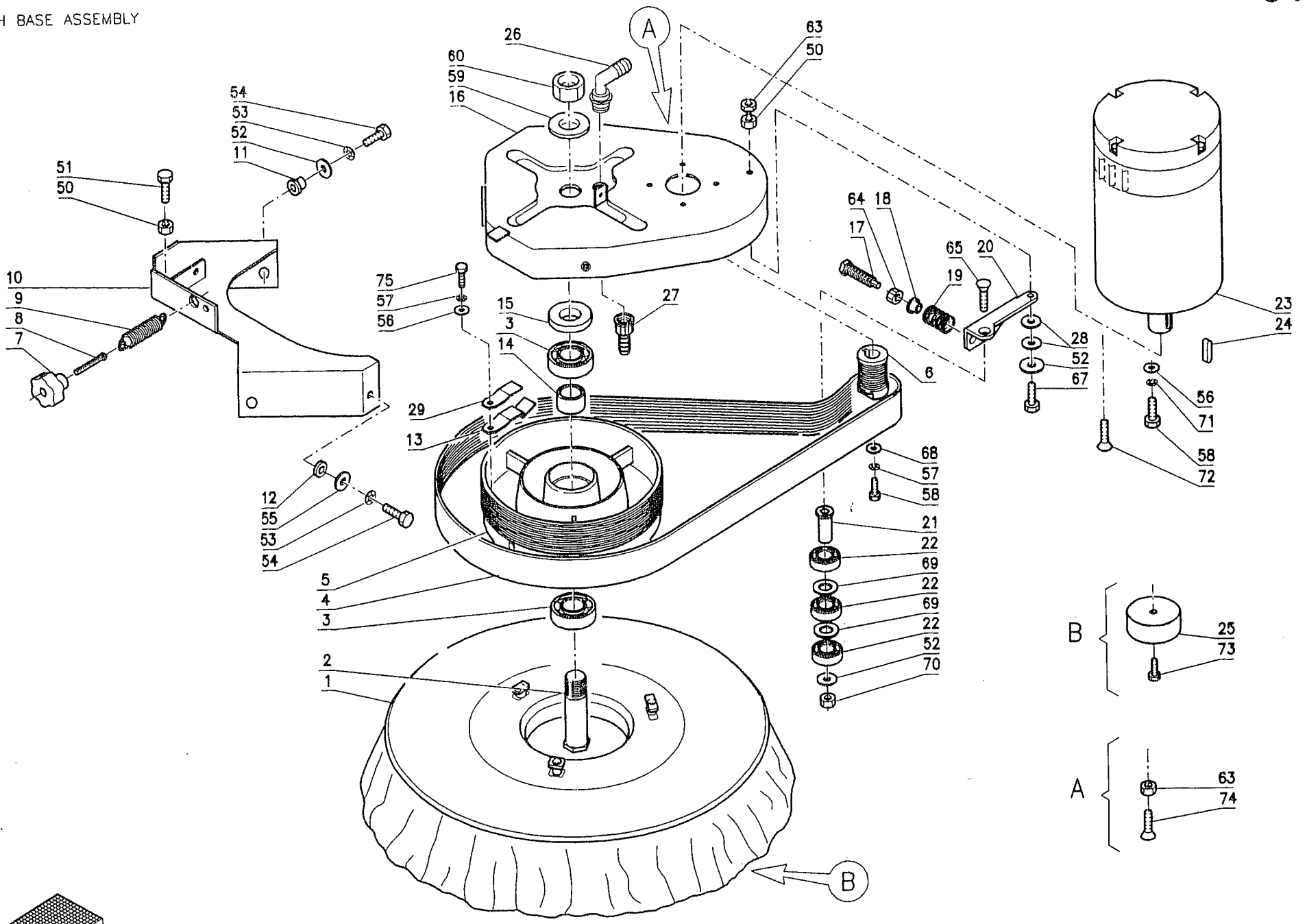
| Item | Part Number | Description   |
|------|-------------|---|
| A    | 72102009    | Bipolar Switch Green (Solenoid Valve Solution)            |
| B    | 72102009    | Bipolar Switch Green (Suction Motor)                      |
| C    | 72102009    | Bipolar Switch Green (Brush Motor)                        |
| D    | 72107004    | Contact/Switch (On/Off General), prior to 8/00            |
|      | 72107005    | Contact/Switch (On/Off General), <b>effective 8/00</b>    |
| E    | 911167      | Green Signal Protected 24V (Control Batteries)            |
| F1   | 72400301    | Fuse 3A (Controls)  |
| F2   | 72403003    | Maxifuse 30A (Suction Motor)                              |
| F3   | 72405002    | Maxifuse 50A (Brush Motor)                                |
| G    | 72102010    | Bipolar Switch Yellow (Brush Release)                     |
| H    | 67900001    | Check Card Control Batteries 24V                          |
| L    | 887550      | Relay 24V 30A Faston (Suction Motor)                      |
| M1   | 68220370    | Brush Motor 24V   |
| M2   | 68120460    | Suction Motor 24V with Conveyor Assembled                 |
| MI-1 | 911170      | Microswitch 3x22 (Brush Motor)                            |
| N    | 884750      | Insulator M5x25 FF (Negative General)                     |
| P    | 68420230    | Remote Control Switch 24V Double with Diode (Brush Motor) |
| Q    | 882250      | Coil Solenoid Valve 24V - 3/B                             |
|      |             |   |
|      |             |   |

| Item  | Part Number | Description  |
|-------|-------------|--|
| 1/6   | 68023001    | Series Cables and Connectors for Switches                  |
| 1     | 68023027    | 4 Cables Black No. 1                                       |
| 2     | 68023028    | Cable Brown No. 2  |
| 3     | 68023029    | Cable Blue No. 3   |
| 4-5   | 68023030    | 3 Cables Red No. 4-5                                       |
| 6     | 68023014    | 2 Cables Brown-Blue No. 6                                  |
| 7     | 68023003    | Cable Blue No. 7   |
| 8     | 68023004    | 4 Cables Red No. 8   |
| 9     | 68023005    | 2 Cables Black No. 9                                       |
| 10    | 68023006    | Cable Red No. 10   |
| 11    | 68023007    | Cables Suction Motor No. 11                                |
| 12    | 72500011    | Diode and Resistance with Terminal No. 12                  |
| 13    | 68023002    | Series Cables and Connector Brush Release No. 13           |
| 14    | 68023008    | Cable Red + Condenser and Diode No. 14                     |
| 15    | 68023008    | Cable Black No. 15   |
| 17-18 | 68023010    | 2 Cables Black-Red Brush Motor No. 17-18                   |
| 19-20 | 68023011    | 2 Cables Black-Red and Connector 50A                       |
| 21-22 | 68023012    | 2 Cables Black-Red and Connector 50A and Battery Terminals |
| 23    | 68000154    | Cable Bridge with Battery Terminals (+) (-)                |
|       |             |  |





BRUSH BASE ASSEMBLY



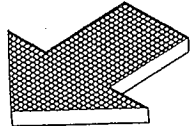
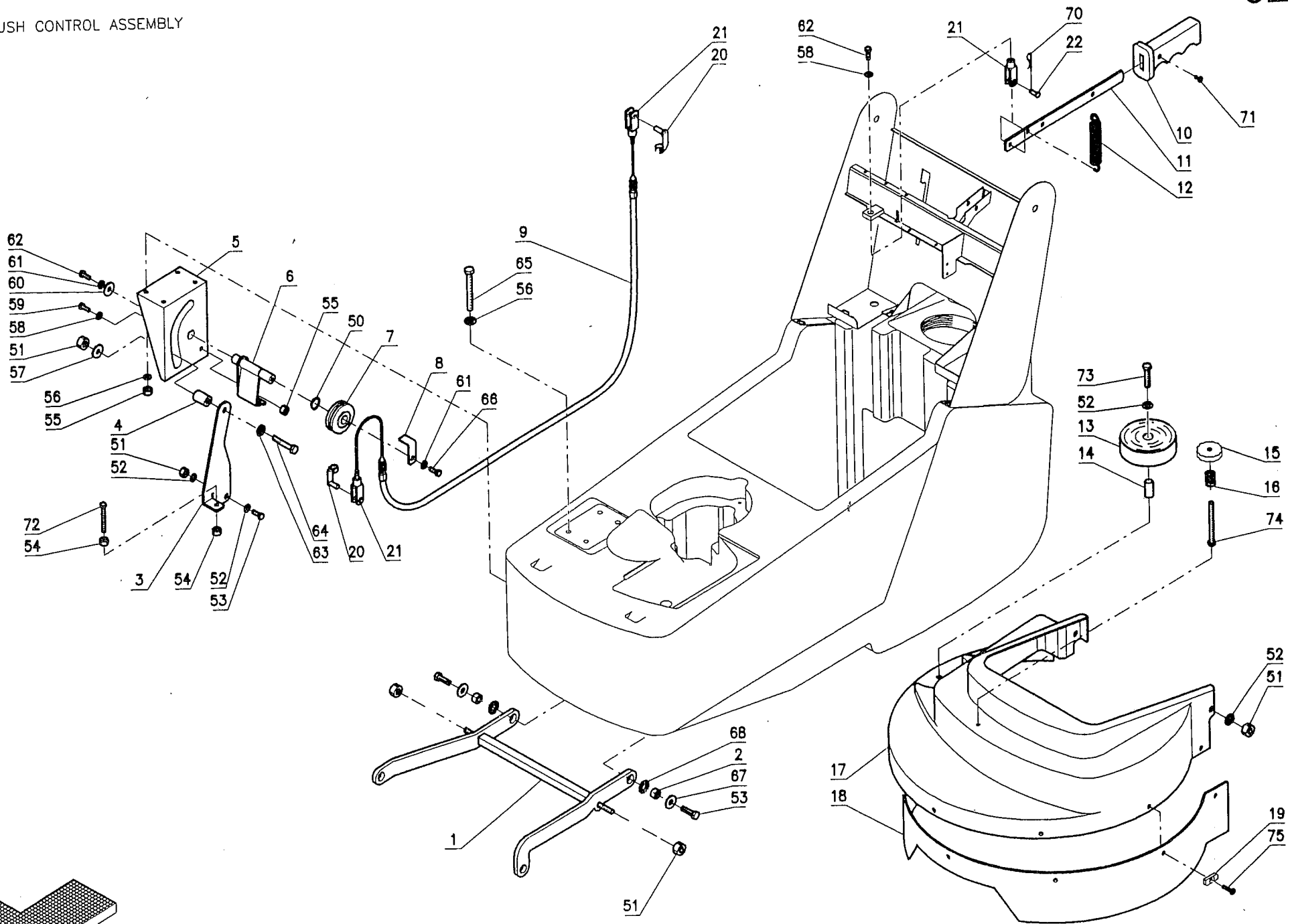
DRAWING 01

Single Disc 20B

| Item | Part Number | Description     | Qty. |
|------|-------------|-----------------|------|
| 1    | 880960      | Brush           |      |
|      | 885146      | Lugs            | 3    |
|      | 70970603    | Screws for lugs | 3    |
| 2    | 887740      | Shaft           | 1    |
| 3    | 902031      | Bearing         | 2    |
| 4    | 903016      | Belt            | 1    |
| 5    | 886940      | Pulley          | 1    |
| 6    | 69420260    | Motor Pulley    | 1    |
| 7    | 885040      | Knob            | 1    |
| 8    | 880540      | Adjuster        | 1    |
| 9    | 888340      | Spring          | 1    |
| 10   | 42301020    | Support         | 1    |
| 11   | 881140      | Bushing         | 2    |
| 12   | 69102050    | Bushing         | 2    |
| 13   | 888341      | Spring          | 2    |
| 14   | 888241      | Spacer          | 1    |
| 15   | 888240      | Spacer          | 1    |
| 16   | 880960      | Brush Base      | 1    |
| 17   | 880541      | Adjuster        | 1    |
| 18   | 881141      | Bushing         | 1    |
| 19   | 888342      | Spring          | 1    |
| 20   | 42301010    | Support         | 1    |
| 21   | 881142      | Bushing         | 1    |
| 22   | 902032      | Bearing         | 3    |
| 23   | 68220370    | Motor           | 1    |
| 24   | 70405041    | Key             | 1    |
| 25   | 980620      | Special Washer  | 1    |
| 26   | 883346      | Connector       | 1    |

| Item | Part Number | Description  | Qty. |
|------|-------------|--------------|------|
| 27   | 8833348     | Connector    | 1    |
| 28   | 980051      | Spring       | 2    |
| 29   | 69230470    | Spring       | 3    |
| 50   | 924035      | Nut          |      |
| 51   | 964085      | Screw        |      |
| 52   | 980044      | Washer       |      |
| 53   | 980069      | Lock Washer  |      |
| 54   | 964086      | Screw        |      |
| 55   | 980039      | Washer       |      |
| 56   | 980042      | Washer       |      |
| 57   | 980045      | Lock Washer  |      |
| 58   | 964116      | Screw        |      |
| 59   | 980050      | Washer       |      |
| 60   | 924040      | Nut          |      |
| 63   | 71010809    | Nut          |      |
| 64   | 924039      | Nut          |      |
| 65   | 964089      | Screw        |      |
| 67   | 964091      | Screw        |      |
| 68   | 71106006    | Washer       |      |
| 69   | 980052      | Washer Brass |      |
| 70   | 924033      | Lock Nut     |      |
| 71   | 71106009    | Lock Washer  |      |
| 72   | 70980602    | Screw        |      |
| 73   | 964094      | Screw        |      |
| 74   | 964093      | Screw        |      |
| 75   | 964088      | Screw        |      |
|      |             |              |      |
|      |             |              |      |

BRUSH CONTROL ASSEMBLY



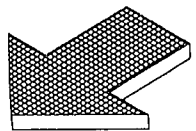
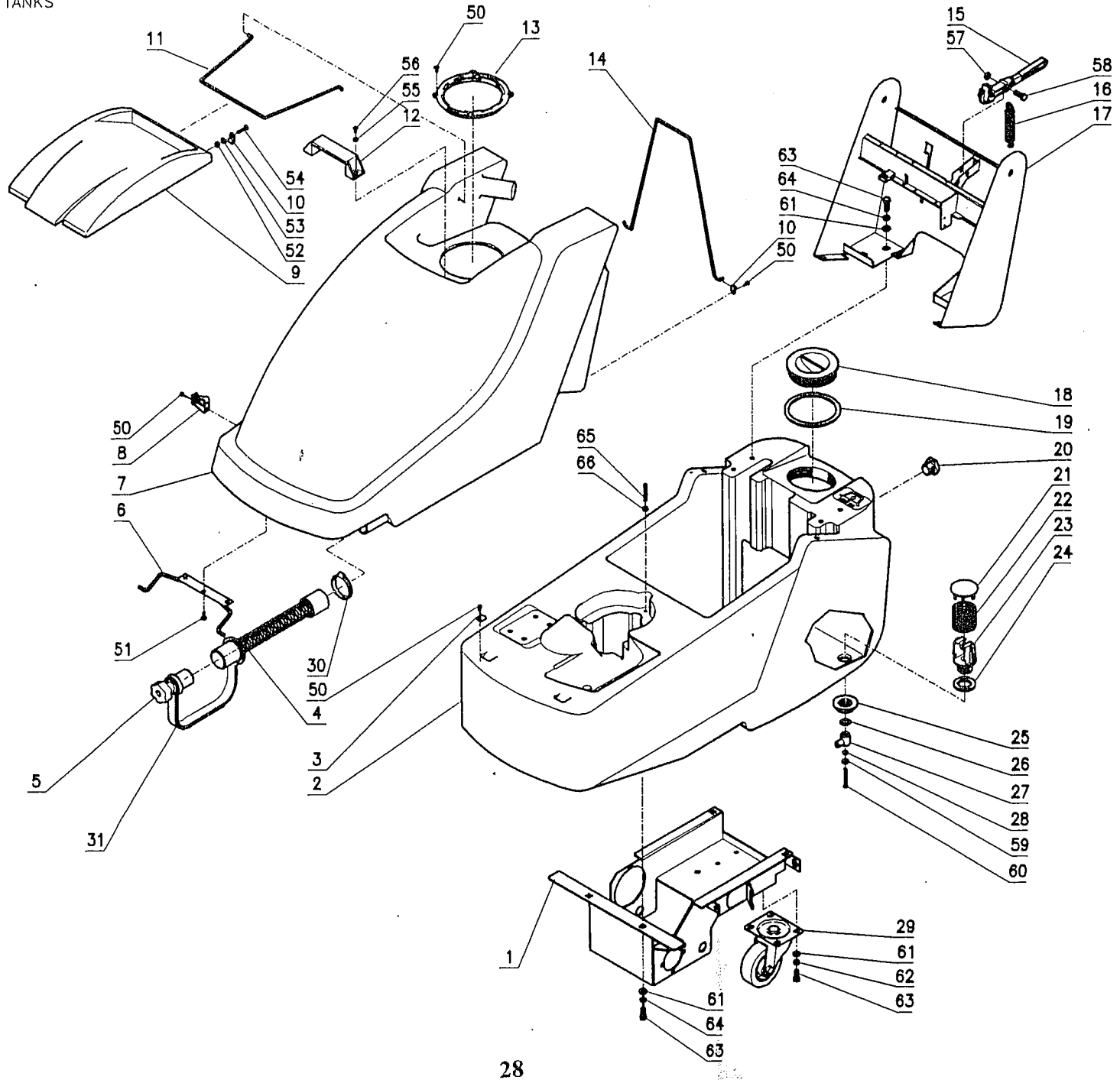
## DRAWING 02

Single Disc 20B

| Item | Part Number | Description    | Qty. |
|------|-------------|----------------|------|
| 1    | 42303110    | Arm            | 1    |
| 2    | 69122030    | Bushing        | 2    |
| 3    | 42303070    | Support        | 1    |
| 4    | 42303080    | Roller         | 1    |
| 5    | 42303030    | Support        | 1    |
| 6    | 42303060    | Support        | 1    |
| 7    | 69410220    | Pulley         | 1    |
| 8    | 42303040    | Support        | 1    |
| 9    | 74803049    | Cable          | 1    |
| 10   | 74100007    | Knob           | 1    |
| 11   | 42303100    | Lever          | 1    |
| 12   | 888336      | Spring         | 1    |
| 13   | 67020030    | Bumper         | 1    |
| 14   | 69102110    | Bushing        | 1    |
| 15   | 42346050    | Handwheel      | 1    |
| 16   | 888345      | Spring         | 1    |
| 17   | 42346040    | Base Cover     | 1    |
| 18   | 67623020    | Splash Guard   | 1    |
| 19   | 882131      | Plaque         | 8    |
| 20   | 74620005    | Clip           | 2    |
| 21   | 74610004    | Fork           | 3    |
| 22   | 74620007    | Pin            | 1    |
| 50   | 70220005    | Retaining Ring | 1    |
| 51   | 924033      | Lock Nut       |      |

| Item | Part Number | Description         | Qty. |
|------|-------------|---------------------|------|
| 52   | 980039      | Washer              |      |
| 53   | 964090      | Screw               |      |
| 54   | 924048      | Nut                 |      |
| 55   | 924026      | Lock Nut            |      |
| 56   | 980042      | Washer              |      |
| 57   | 980070      | Washer              |      |
| 58   | 980040      | Washer              |      |
| 59   | 964116      | Screw               |      |
| 60   | 980065      | Washer              |      |
| 61   | 71106009    | Lock Washer         |      |
| 62   | 964107      | Screw               |      |
| 63   | 980069      | Lock Washer         |      |
| 64   | 964106      | Screw               |      |
| 65   | 70910620    | Screw               |      |
| 66   | 70910601    | Screw               |      |
| 67   | 980044      | Washer              |      |
| 68   | 980053      | Lock Washer         |      |
| 70   | 71600003    | Clip                |      |
| 71   | 70944801    | Screw               |      |
| 72   | 70910621    | Screw               |      |
| 73   | 70910812    | Screw               |      |
| 74   | 70910626    | Screw               |      |
| 75   | 964099      | Screw               |      |
|      | A4626003    | Base Cover Assembly |      |



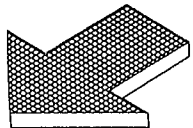
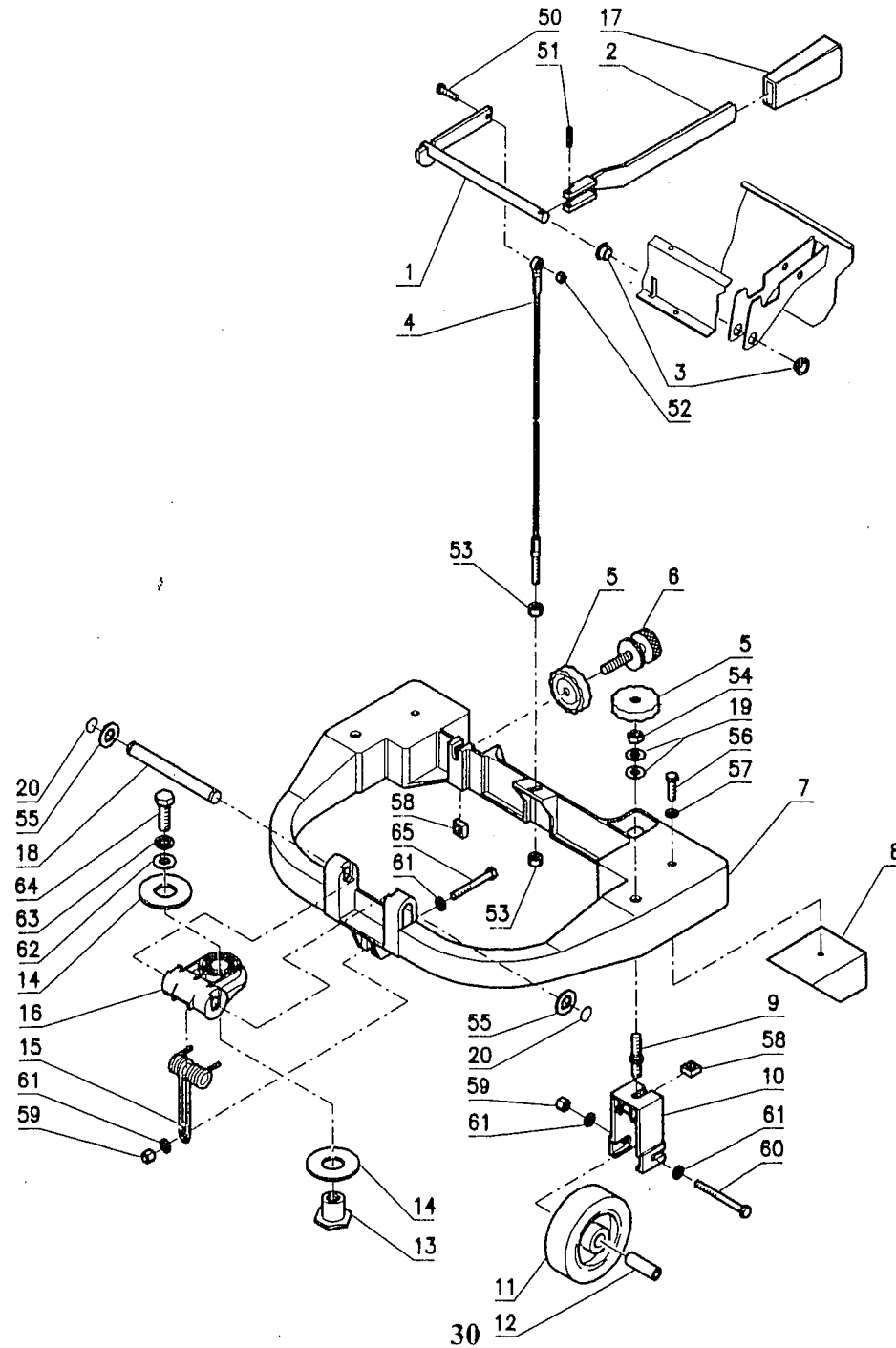


DRAWING 03

Single Disc 20B

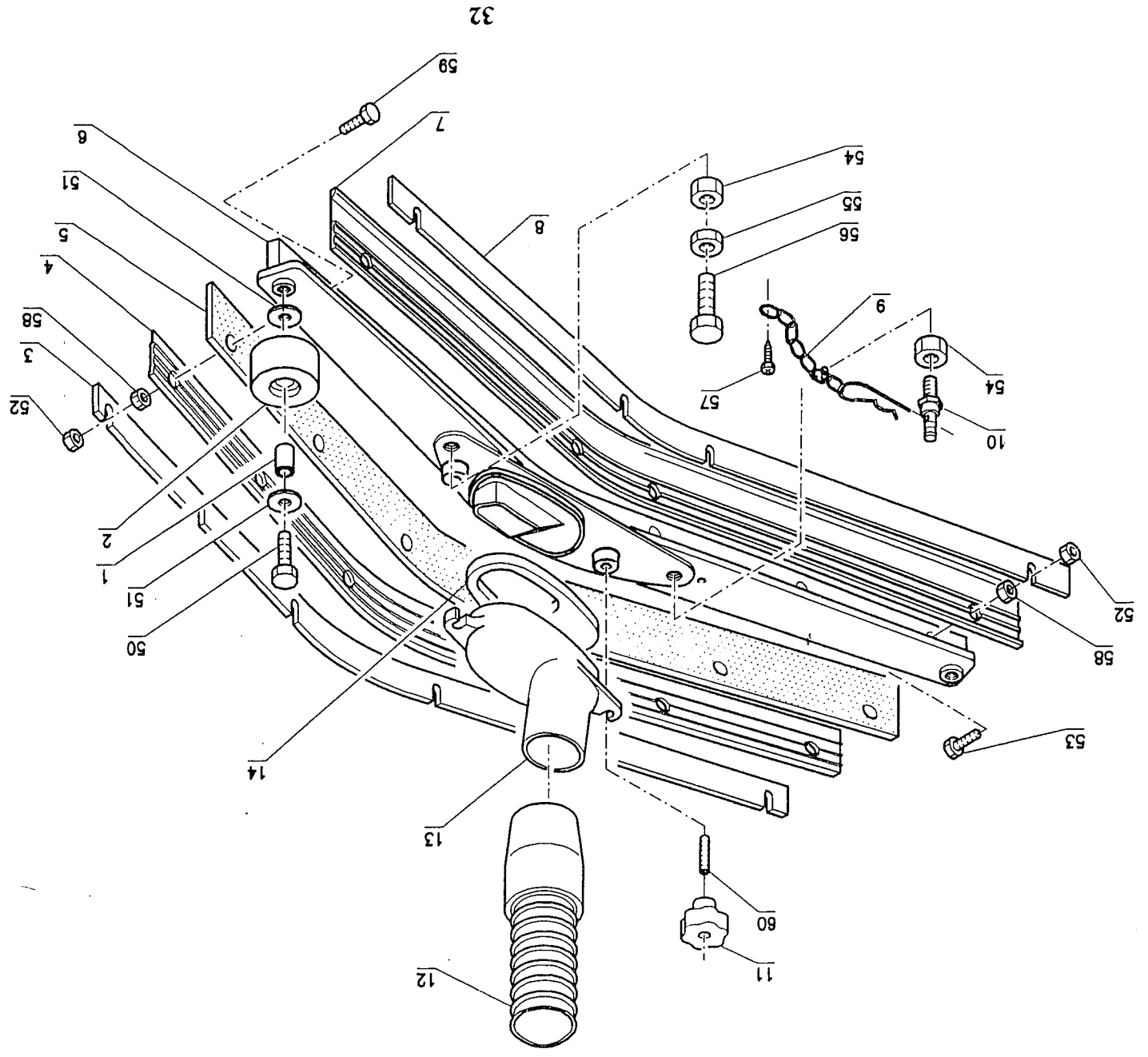
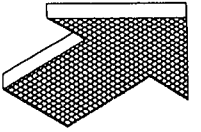
| Item | Part Number | Description       | Qty. |
|------|-------------|-------------------|------|
| 1    | 69923100    | Frame             | 1    |
| 2    | 69723010    | Solution Tank     | 1    |
| 3    | 42336050    | Plaque            | 2    |
| 4    | 67512580    | Exhaust Pipe      | 1    |
| 5    | 886842      | Cover             | 1    |
| 6    | 42336040    | Hinge             | 1    |
| 7    | 69723020    | Recovery Tank     | 1    |
| 8    | 69230120    | Hook              | 1    |
| 9    | 42346020    | Cover             | 1    |
| 10   | 72902008    | Cable Fastener    | 4    |
| 11   | 42346010    | Hinge             | 1    |
| 12   | 883930      | Handle            | 1    |
| 13   | 42036030    | Bracket           | 1    |
| 14   | 42336030    | Prop              | 1    |
| 15   | 885143      | Lever             | 1    |
| 16   | 888344      | Spring            | 1    |
| 17   | 69923200    | Frame             | 1    |
| 18   | 882337      | Cover             | 1    |
| 19   | 883444      | Gasket            | 1    |
| 20   | 74550009    | Cover             | 1    |
|      | 67400640    | Gasket            | 1    |
|      | 74560019    | Fitting (in tank) | 1    |
| 21   | 882331      | Cover             | 1    |
| 22   | 883331      | Filter            | 1    |
| 23   | 42336010    | Base              | 1    |
| 24   | 883430      | Gasket            | 1    |

| Item | Part Number | Description  | Qty. |
|------|-------------|--------------|------|
| 25   | 924027      | Ring Nut     | 1    |
| 26   | 70800020    | O-Ring       |      |
| 27   | 42336020    | Elbow        | 1    |
| 28   | 70800024    | O-Ring       | 1    |
| 29   | 67050120    | Castor Wheel | 1    |
| 30   | 74220054    | Clamp        | 1    |
| 31   | 42341010    | Clamp        | 1    |
| 50   | 70943502    | Screw        |      |
| 51   | 70944801    | Screw        |      |
| 52   | 924029      | Lock Nut     |      |
| 53   | 71104002    | Washer       |      |
| 54   | 70950401    | Screw        |      |
| 55   | 980066      | Washer       |      |
| 56   | 70944807    | Screw        |      |
| 57   | 924033      | Lock Nut     |      |
| 58   | 964103      | Screw        |      |
| 59   | 980071      | Washer       |      |
| 60   | 70944206    | Screw        |      |
| 61   | 980039      | Washer       |      |
| 62   | 980053      | Lock Washer  |      |
| 63   | 964086      | Screw        |      |
| 64   | 980069      | Lock Washer  |      |
| 65   | 925606      | Dowel        |      |
| 66   | 924048      | Nut          |      |
|      |             |              |      |
|      |             |              |      |



## DRAWING 04

| Item | Part Number | Description    | Qty. |
|------|-------------|----------------|------|
| 1    | 42312050    | Lever          | 1    |
| 2    | 42312070    | Lever          | 1    |
| 3    | 69122010    | Bushing        | 2    |
| 4    | 74803048    | Cable          | 1    |
| 5    | 924049      | Handwheel      | 3    |
| 6    | 880551      | Adjuster       | 2    |
| 7    | 42312040    | Arm            | 1    |
| 8    | 42312080    | Ballast        | 2    |
| 9    | 42312060    | Pin            | 2    |
| 10   | 42312030    | Support        | 2    |
| 11   | 67010050    | Wheel          | 1    |
| 12   | 69122020    | Bushing        | 2    |
| 13   | 41312070    | Pin            | 1    |
| 14   | 41312080    | Special Washer | 2    |
| 15   | 69230020    | Spring         | 1    |
| 16   | 42312010    | Coupling       | 1    |
| 17   | 74100005    | Knob           | 1    |
| 18   | 42312020    | Pin            | 1    |
| 19   | 980051      | Cupped Washer  | 4    |
| 20   | 70220003    | Seeger Ring    | 2    |
| 50   | 964065      | Screw          |      |
| 51   | 71404005    | Spring Pin     |      |
| 52   | 924032      | Lock Nut       |      |
| 53   | 71010503    | Nut Low        |      |
| 54   | 71010809    | Nut            |      |
| 55   | 71112001    | Washer         |      |
| 56   | 964116      | Screw          |      |
| 57   | 71106009    | Lock Washer    |      |
| 58   | 71010810    | Special Nut    |      |
| 59   | 924026      | Lock Nut       |      |
| 60   | 70910627    | Screw          |      |
| 61   | 980042      | Washer         |      |
| 62   | 980064      | Washer         |      |
| 63   | 71110007    | Lock Washer    |      |
| 64   | 964111      | Screw          |      |
| 65   | 70910621    | Screw          |      |

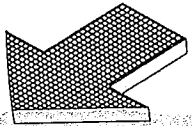
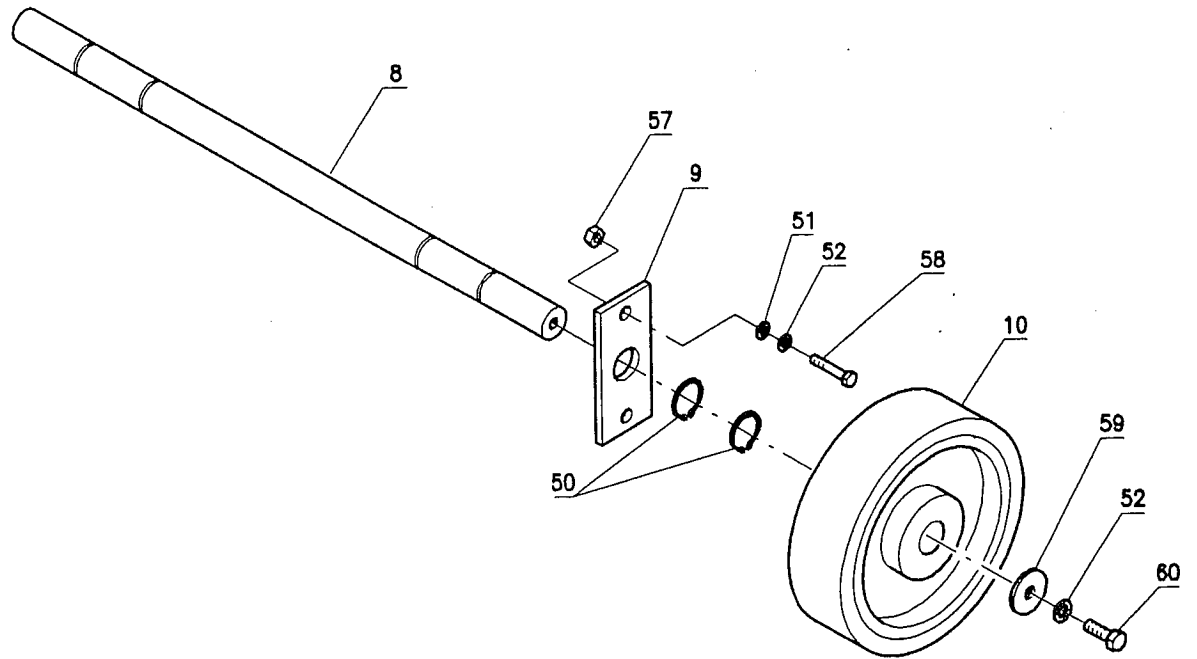


SQUEEGEE ASSEMBLY

## DRAWING 05

Single Disc 20B

| Item | Part Number | Description                                     | Qty. |
|------|-------------|---|------|
| 1    | 881145      | Bushing   | 2    |
| 2    | 889742      | Bumper  | 2    |
| 3    | 68813020    | Blade   | 1    |
| 4    | 880750      | Rear Rubber                                     | 1    |
| 5    | 880752      | Central Rubber, Concrete Floor, Beige, 31" long | 1    |
|      | 880751      | Central Rubber, Smooth Floor, Red, 31" long     |      |
| 6    | 69623010    | Squeegee Body                                   | 1    |
| 7    | 880753      | Front Rubber                                    | 1    |
| 8    | 68813010    | Blade   | 1    |
| 9    | 882444      | Chain with Clip                                 | 1    |
| 10   | 42311010    | Stud Bolt                                       | 1    |
| 11   | 885046      | Knob  | 2    |
| 12   | 67512620    | Suction Hose                                    | 1    |
| 13   | 880240      | Opening   | 1    |
| 14   | 67406100    | Gasket  | 1    |
| 50   | 964085      | Screw   |      |
| 51   | 980039      | Washer  |      |
| 52   | 924050      | Lock Nut  |      |
| 53   | 964109      | Screw   |      |
| 54   | 924061      | Nut   |      |
| 55   | 924053      | Nut Low   |      |
| 56   | 70911006    | Screw   |      |
| 57   | 964126      | Screw   |      |
| 58   | 924054      | Nut   |      |
| 59   | 964110      | Screw   |      |
| 60   | 925606      | Dowel   |      |
|      | A9623001    | Squeegee Assembly                               |      |

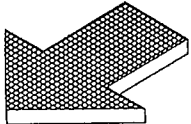
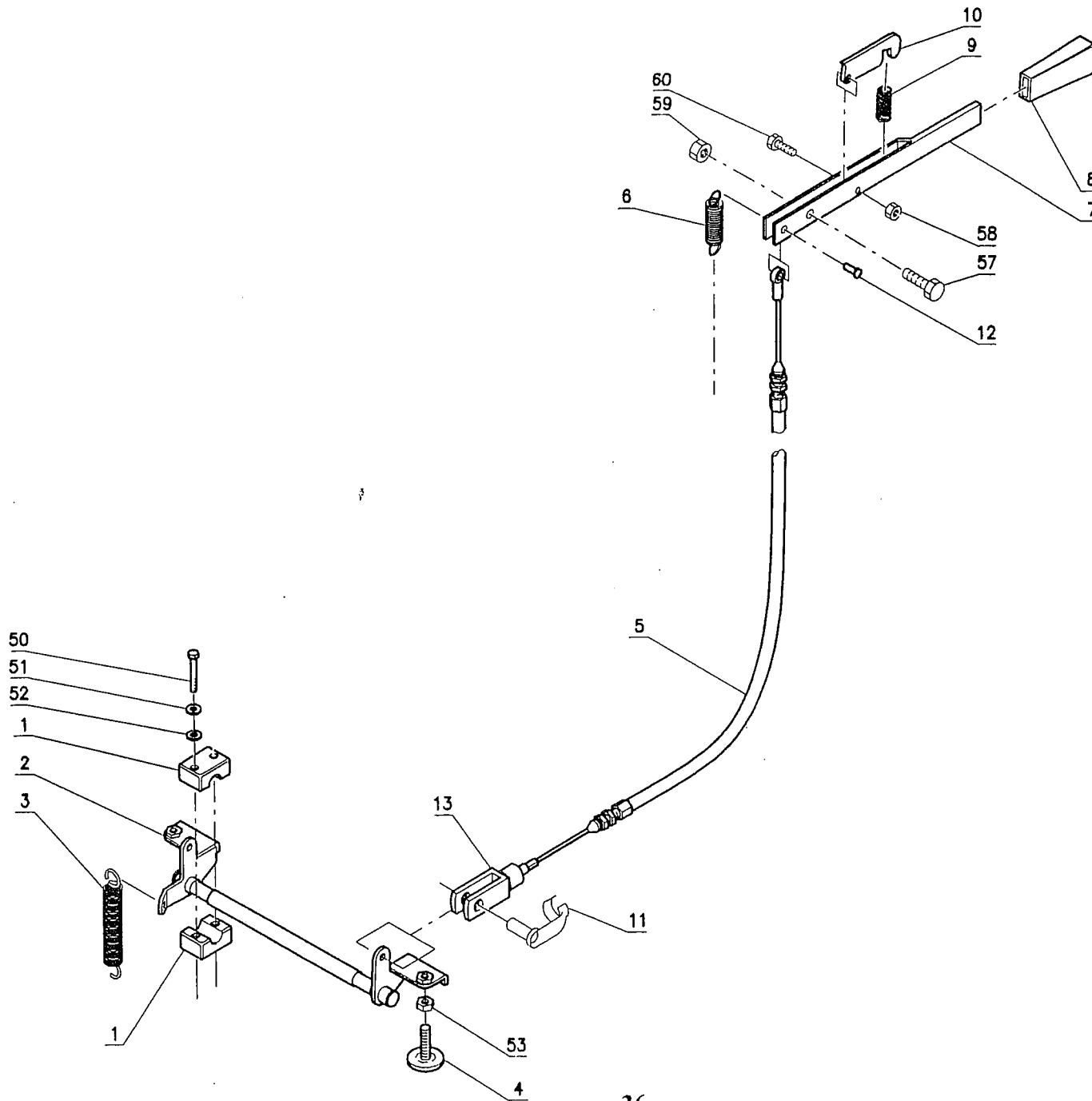


# DRAWING 06

Single Disc 20B

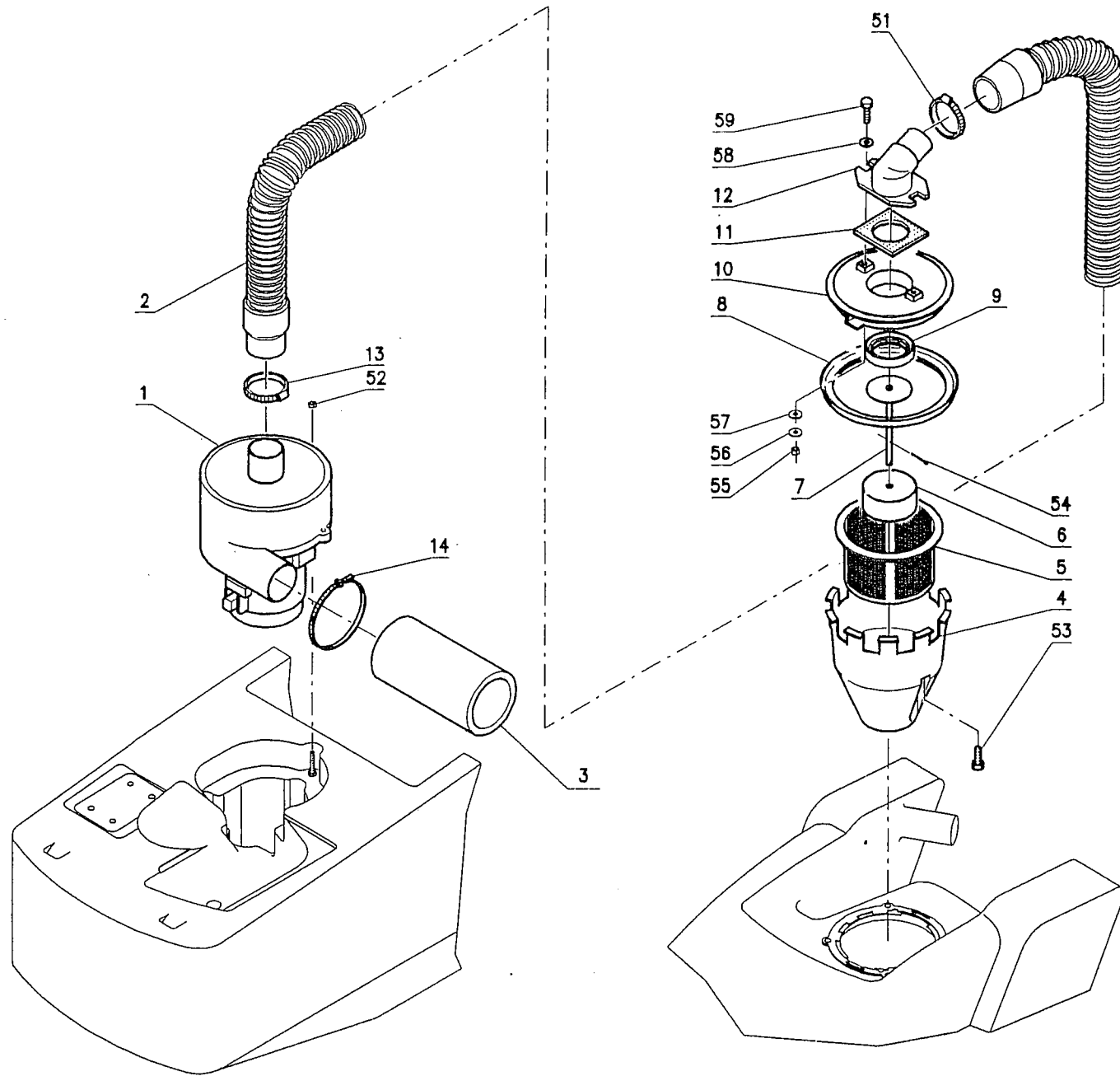
| Item | Part Number | Description | Qty. |
|------|-------------|-------------|------|
| 8    | 42317020    | Shaft       | 1    |
| 9    | 42317030    | Support     | 2    |
| 10   | 67010300    | Wheel       | 2    |
| 50   | 70220016    | Seeger Ring | 4    |
| 51   | 980042      | Washer      |      |
| 52   | 980045      | Lock Washer |      |
| 57   | 924026      | Lock Nut    |      |
| 58   | 964116      | Screw       |      |
| 59   | 980065      | Washer      |      |
| 60   | 964107      | Screw       |      |



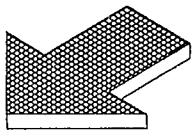


## DRAWING 07

| Item | Part Number | Description    | Qty. |
|------|-------------|----------------|------|
| 1    | . 882043    | Holdfast       | 4    |
| 2    | 42318010    | Shaft Assembly | 1    |
| 3    | 69220160    | Spring         | 1    |
| 4    | 41318090    | Pad            | 2    |
| 5    | 74803051    | Brake Cable    | 1    |
| 6    | 888336      | Spring         | 1    |
| 7    | 40318100    | Lever          | 1    |
| 8    | 74100005    | Knob           | 1    |
| 9    | 69210540    | Spring         | 1    |
| 10   | 40318110    | Lever          | 1    |
| 11   | 74620005    | Clip           | 1    |
| 12   | 74620007    | Pin            | 1    |
| 13   | 74610004    | Fork           | 1    |
| 50   | 964079      | Screw          |      |
| 51   | 71106009    | Lock Washer    |      |
| 52   | 980042      | Washer         |      |
| 53   | 71010809    | Nut            |      |
| 57   | 964086      | Screw          |      |
| 58   | 924029      | Lock Nut       |      |
| 59   | 924033      | Lock Nut       |      |
| 60   | 70910407    | Screw          |      |

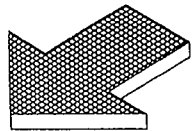
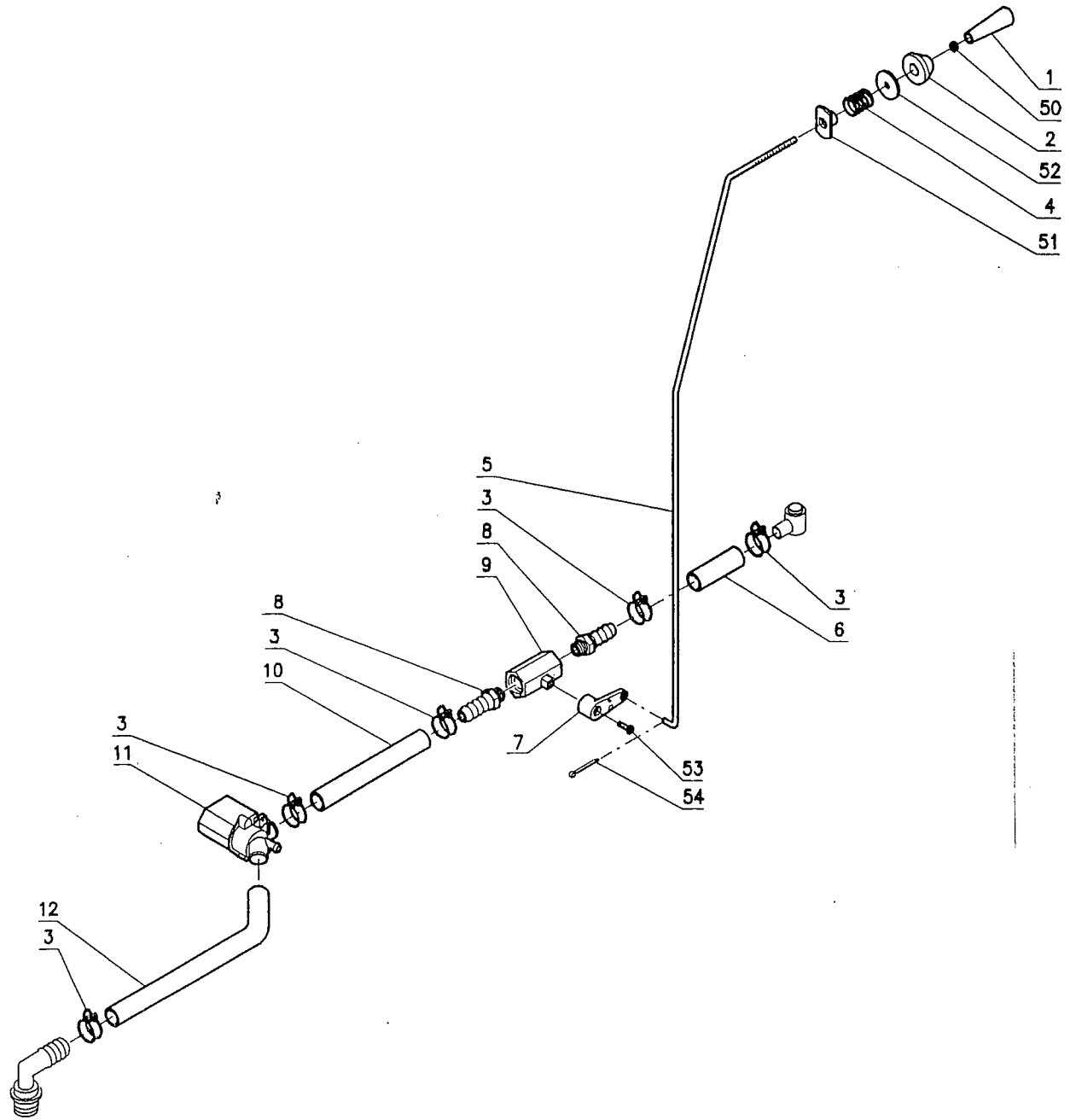


38



## DRAWING 08

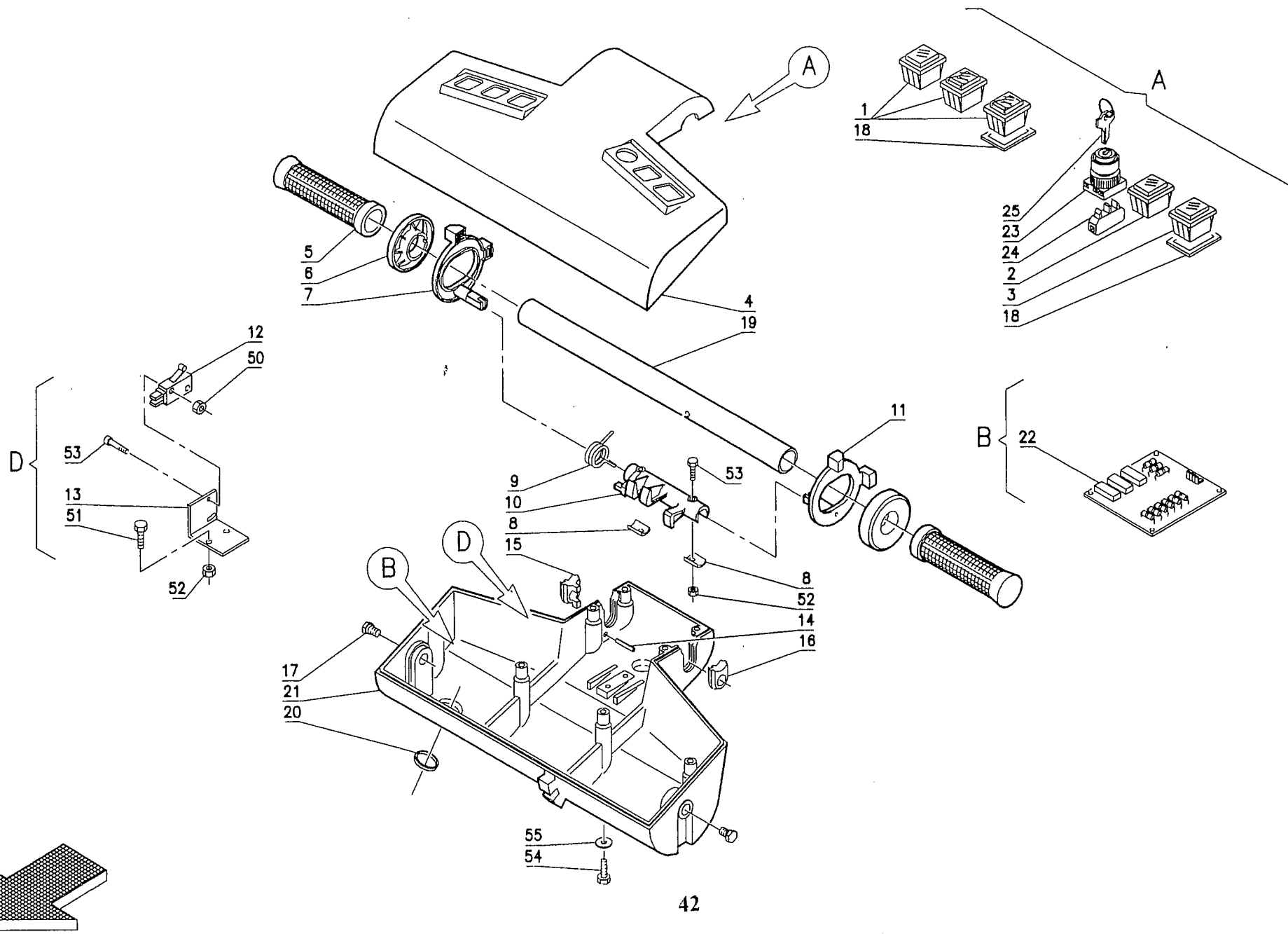
| Item | Part Number | Description         | Qty. |
|------|-------------|---------------------|------|
| 1    | 68120450    | Vacuum Motor        | 1    |
| 2    | 67512630    | Vacuum Hose         | 1    |
| 3    | 67532130    | Soun Deadening Hose | 1    |
| 4    | 888551      | Protection          | 1    |
| 5    | 883343      | Filter              | 1    |
| 6    | 883344      | Float               | 1    |
| 7    | 887440      | Rod                 | 1    |
| 8    | 883441      | Gasket              | 1    |
| 9    | 883442      | Gasket              | 1    |
| 10   | 886841      | Cover               | 1    |
| 11   | 883446      | Gasket              | 1    |
| 12   | 882442      | Opening             | 1    |
| 13   | 882041      | Clamp               | 1    |
| 14   | 74210002    | Clamp               | 1    |
| 52   | 924050      | Lock Nut            |      |
| 53   | 964104      | Screw               |      |
| 54   | 925603      | Split Pin           |      |
| 55   | 924045      | Nut                 |      |
| 56   | 71104002    | Washer              |      |
| 57   | 980059      | Washer              |      |
| 58   | 980060      | Washer              |      |
| 59   | 964105      | Screw               |      |
|      | A6520001    | Filter Assembly     |      |



## DRAWING 09

Single Disc 20B

| Item | Part Number | Description    | Qty. |
|------|-------------|----------------|------|
| 1    | 885044      | Knob           | 1    |
| 2    | 980621      | Special Washer | 1    |
| 3    | 882051      | Clamp          | 6    |
| 4    | 888345      | Spring         | 1    |
| 5    | 42337010    | Rod            | 1    |
| 6    | 67523060    | Pipe           | 1    |
| 7    | 42337020    | Lever          | 1    |
| 8    | 883347      | Connector      | 2    |
| 9    | 889440      | Cock           | 1    |
| 10   | 67523040    | Pipe           | 1    |
| 11   | 889451      | Solenoid Valve | 1    |
| 12   | 67523060    | Pipe           | 1    |
| 50   | 924046      | Nut            |      |
| 51   | 924047      | Nut            |      |
| 52   | 980061      | Washer         |      |
| 53   | 70950401    | Screw          |      |
| 54   | 925609      | Split Pin      |      |

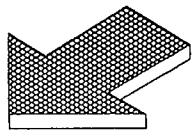
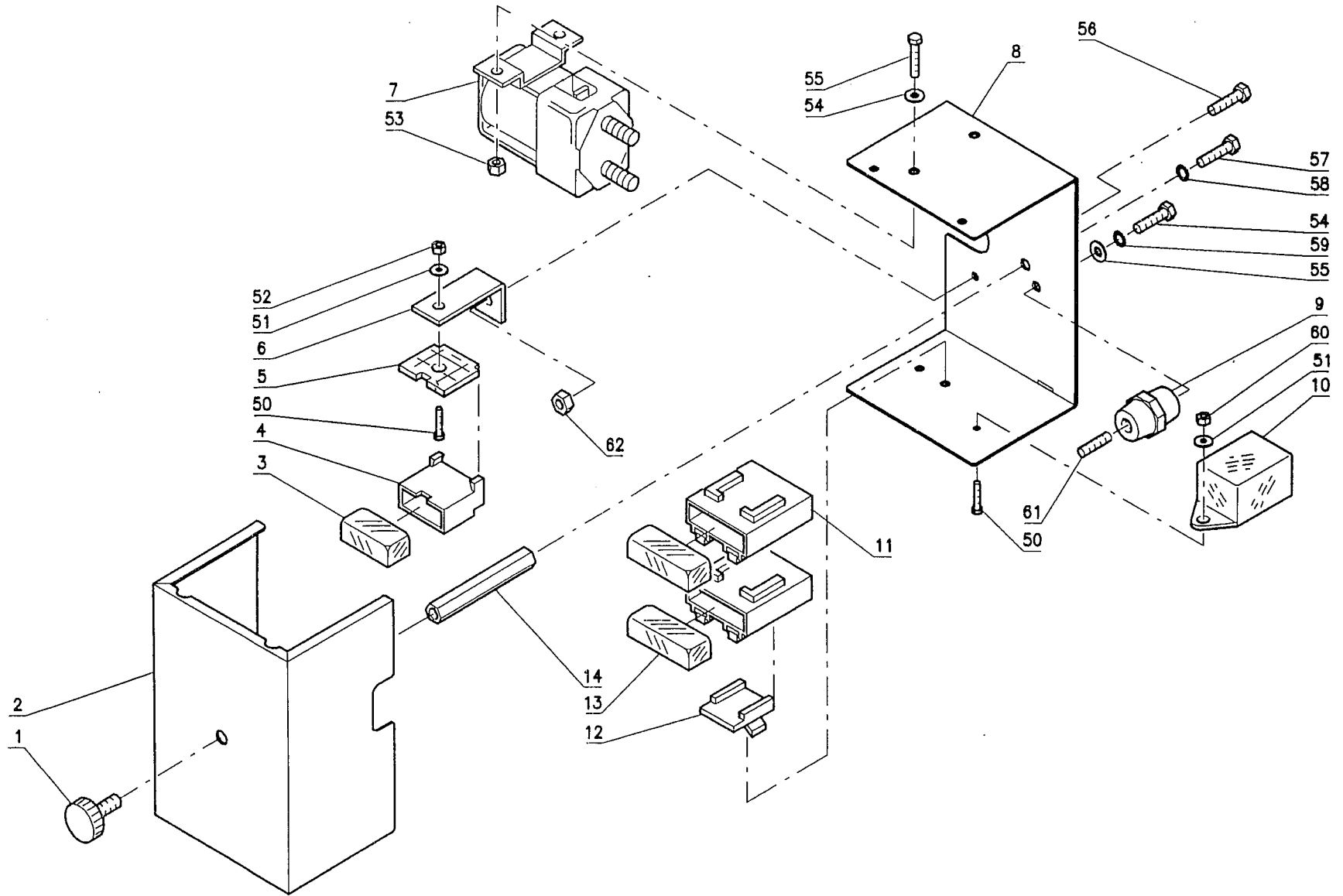


## DRAWING 10A

Single Disc 20B

| Item | Part Number | Description   | Qty. |
|------|-------------|---|------|
| 1    | 72102009    | Switch  | 3    |
| 2    | 72300110    | Signal Lamp Green                                       | 1    |
| 3    | 72102010    | Switch, Brush Release                                   | 1    |
| 4    | 882342      | Handle Bar Cover  | 1    |
| 5    | 885042      | Knob  | 2    |
| 6    | 980623      | Special Washer  | 2    |
| 7    | 885141      | Lever   | 1    |
| 8    | 882140      | Clip Retaining  | 2    |
| 9    | 888343      | Spring  | 1    |
| 10   | 41328010    | Shaft   | 1    |
| 11   | 885142      | Lever   | 1    |
| 12   | 911170      | Mrcroswitch   | 1    |
| 13   | 888548      | Support   | 1    |
| 14   | 71404005    | Spring Pin  | 1    |
| 15   | 887240      | Retainer RH   | 1    |
| 16   | 887241      | Retainer LH   | 1    |
| 17   | 42326010    | Special Screw   | 2    |
| 18   | 883440      | Gasket  | 5    |
| 19   | 886040      | Pipe  | 1    |
| 20   | 883841      | Fairlead  | 1    |
| 21   | 881341      | Handle Bar Body   | 1    |
| 22   | 67900001    | Check Card Batterires                                   | 1    |
| 23   | 72199012    | Switch with Two Keys (no cover), prior to 8/00          |      |
|      | 72199015    | Switch with Two Keys (grey rubber cover), Effective 8/0 | 1    |
| 24   | 72107004    | Switch Only, prior to 8/00                              |      |
|      | 72107005    | Switch Only, Effective 8/00                             | 1    |
| 25   | 72908010    | Keys, Set of Two, prior to 8/00                         |      |
|      | 72908017    | Keys, Set of Two, (grey rubber cover), Effective 8/00   | 1    |
| 50   | 924043      | Lock Nut  |      |
| 51   | 70910407    | Screw   |      |
| 52   | 924031      | Nut   |      |
| 53   | 964101      | Screw   |      |
| 54   | 964123      | Screw   |      |
| 55   | 980041      | Lock Washer   |      |





## DRAWING 11

| Item | Part Number | Description                  | Qty. |
|------|-------------|------------------------------|------|
| 1    | 74006003    | Knob                         | 1    |
| 2    | 42351020    | Cover                        | 1    |
| 3    | 72916002    | Cover                        | 1    |
| 4    | 72400011    | Fuseholder                   | 1    |
| 5    | 72916001    | Plaque                       | 1    |
| 6    | 41251100    | Support                      | 1    |
| 7    | 68420220    | Double Remote Control Switch | 1    |
| 8    | 72351010    | Cover                        | 1    |
| 9    | 884750      | Insulator                    | 1    |
| 10   | 68420410    | Relay                        | 1    |
| 11   | 72400012    | Fuseholder                   | 2    |
| 12   | 72916004    | Plaque                       | 1    |
| 13   | 72916003    | Cover                        | 2    |
| 14   | 42351030    | Stud Bolt                    | 1    |
| 50   | 70940301    | Screw                        |      |
| 51   | 71103002    | Washer                       |      |
| 52   | 71010301    | Nut                          |      |
| 53   | 924032      | Lock Nut                     |      |
| 54   | 964082      | Screw                        |      |
| 55   | 980066      | Washer                       |      |
| 56   | 964098      | Screw                        |      |
| 57   | 964088      | Screw                        |      |
| 58   | 980045      | Lock Washer                  |      |
| 59   | 980041      | Lock Washer                  |      |
| 60   | 924043      | Lock Nut                     |      |
| 61   | 70960502    | Dowel                        |      |
| 62   | 924029      | Lock Nut                     |      |