

ScrubMaster 26C

INTRODUCTION

OPERATING & MAINTENANCE INSTRUCTIONS

READ THIS BOOK

This operator's book has important information for the use and safe operation of this machine. Read this book carefully before starting the machine. Keep this book and tell all operators to read the book. If you do not follow the instructions, you can cause an injury or damage equipment, furniture or buildings.

For new books write to:

Pacific Steamex, Inc.
2259 S. Sheridan
Muskegon, MI 49442-6252

Carefully inspect all components to ensure that there is no concealed freight damage. If such damage is discovered, file a "CONCEALED DAMAGE REPORT" immediately with the delivering carrier.

The contents of this manual are based on the latest product information available at the time of publication. Pacific Steamex reserves the right to make changes or improvements to its machines without notice.

**FOR YOUR CONVENIENCE, RECORD
THE FOLLOWING INFORMATION:**

MODEL _____

SERIAL NUMBER _____

PART NUMBER _____

DATE PURCHASED _____

TABLE OF CONTENTS

IMPORTANT SAFETY INSTRUCTIONS	3
SYMBOLS USED ON THE MACHINE	4
MACHINE PREPARATION	6
1. UNPACKING THE MACHINE	
2. BATTERY INSTALLATION	
3. CHARGING THE BATTERIES	7
4. CONNECTING THE BATTERY CONNECTOR	8
5. BATTERY INDICATOR	
6. SQUEEGEE ASSEMBLY	
7. ADJUSTING THE SQUEEGEE HEIGHT	
8. ADJUSTING THE SQUEEGEE INCLINATION	9
9. ADJUSTING THE SQUEEGEE PRESSURE	
10. BRUSH ASSEMBLY	
11. RECOVERY TANK	10
12. SOLUTION WATER	
OPERATION	11
1. STARTING WORK	
2. MOVEMENT	12
3. BRAKES	
4. RECOVERY TANK FULL	
5. BRUSH CONTROL	
UPON COMPLETION OF THE WORK	13
DAILY MAINTENANCE	14
1. CLEANING THE RECOVERY TANK AND FILTER	
2. CLEANING THE SOLUTION TANK AND FILTER	
3. CLEANING THE SQUEEGEE	15
4. DISASSEMBLY OF THE BRUSHES	
WEEKLY MAINTENANCE	16
1. REPLACEMENT OF THE REAR SQUEEGEE BLADE	
2. REPLACEMENT OF THE FRONT SQUEEGEE BLADE	
3. REPLACEMENT OF THE SPLASH GUARD	
4. CLEANING THE SQUEEGEE HOSE	17
5. CHECK BRAKE	
TROUBLE SHOOTING GUIDE	18
1. INSUFFICIENT WATER ONTO THE BRUSH	
2. THE MACHINE DOES NOT CLEAN SATISFACTORILY	
3. THE SQUEEGEE DOES NOT DRY THE FLOOR WELL	
4. EXCESSIVE FOAM PRODUCTION	
WARRANTY POLICY	20

OPERATOR AND SAFETY INSTRUCTIONS

For the safe operation of this machine, read and understand all instructions before using this machine.

WARNING: To reduce the risk of fire, electric shock or injury:

1. You must have training in the operation of the machine before using it. **READ THE INSTRUCTION BOOK.** If you do not understand any instruction, ask your supervisor.
2. Make sure all labels, decals, warnings, cautions and instructions are fastened to the machine.
3. Read the labels carefully on the machine. Do not cover them for any reason and replace them if damaged.
4. Do not operate this machine unless it is completely assembled, inspect the machine carefully before operation.
5. Pay close attention to other people and especially children while operating this machine.
6. Be a careful driver, do not strike shelving or scaffolding, especially where there is a danger of falling objects.
7. Machines can cause an explosion when operated near flammable materials and vapors. Do not use this machine with or near fuels, grain dust, solvents, thinners, or other flammable materials.
8. In case of fire, use a powder extinguisher. Do not use water.
9. Do not use this machine as a means of transport.
10. Do not use acid solutions that could damage the machine.
11. To prevent floor damage, stop the brushes when the machine is standing still.
12. Adjust your speed to the conditions of the floor.
13. Do not turn the machine on a ramp. Do not stop and leave the machine on a ramp or incline.
14. When the machine is parked, take out the key and set the parking brake.
15. During any maintenance operation disconnect the power supply from the machine.
16. Lead acid batteries generate gases that can cause an explosion. Read the instruction manual supplied with the battery charger. Keep sparks and flames away from batteries. **NO SMOKING.** Charge the batteries only in an area with good ventilation.
17. Do not use a charger if the power cord is damaged.
18. Always wear eye protection and protective clothing when working near batteries. Remove all jewelry. Do not put tools or other metal across the battery terminals, or the tops of the batteries.
19. Check the level of the electrolyte every time you charge the batteries. If the level is low, **ADD DISTILLED WATER ONLY.**
20. Maintenance and repairs must be performed by authorized Service Centers only. Make adjustments according to the specifications given in the service manual for this machine.
21. Keep the electrical parts of the machine dry. Do not wash the machine with direct water jets or high pressure, nor with corrosive material. For storage, keep the machine in a dry building.
22. Water solutions or cleaning materials used with this type of machine can leave wet areas on the floor surface. These areas can cause a dangerous condition for the operator or other persons. Always put **CAUTION** signs near the area you are cleaning.
23. Do not reach under shrouds with fingers, hands, or toes when machine is running.

SYMBOLS USED ON THE MACHINE



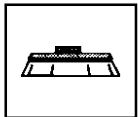
Symbol for the **key switch**.



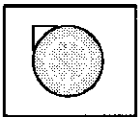
Symbol indicating the **brush motor**.
Indicates the brush motor switch.



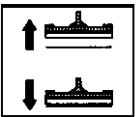
Symbol for the **water valve**:
Indicates the solenoid valve switch.



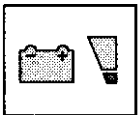
Symbol for the **brush light**.
Indicates the brush motor is on.



Symbol for the **vacuum motor**:
Indicates the vacuum motor switch.



Symbol indicating the raised or lowered position of the **squeegee**:
Indicates the squeegee lever position.



Symbol indicating the charge levels of the **batteries**:
It is necessary to recharge the batteries when the green light begins to blink

SYMBOLS USED ON THE MACHINE



Symbol for the **brake**:
It is used on top of the emergency and parking brake lever.



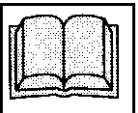
Indicates the **drain hose** of the recovery tank.



Indication of the maximum recommended temperature for the solution water (50°C or 122°F): It is located near the fill hole of the solution tank.



Symbol for the **coupling**:
Indicates the anchor points and the load direction.



This symbol serves as a reminder for the operator to read the **manual**.

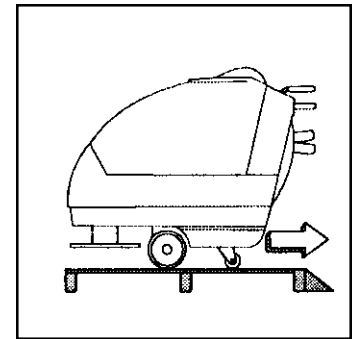
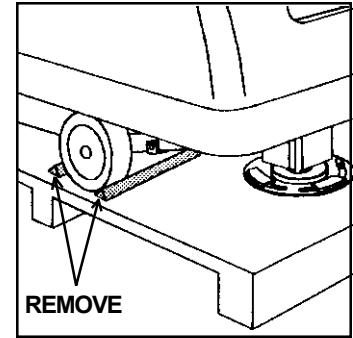
MACHINE PREPARATION

1. UNPACKING THE MACHINE

1. Use a fork truck to move the machine when packaged.
2. Take off the outer package
3. The machine is fixed on the pallet with wooden wedges that block the wheels and metal brackets anchored to the wooden skid.
4. Take the wheel wedges and metal brackets off.

WARNING: Failure to remove the wheel wedges may cause damage to the drive belt.

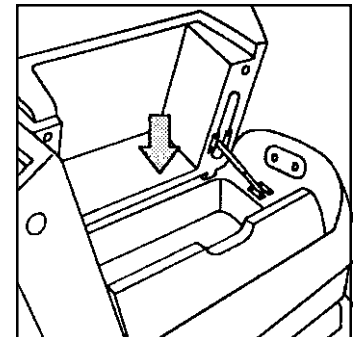
5. Using a ramp, pull the machine down from the pallet, pushing it in reverse motion. Avoid violent blows to the base.



2. BATTERY INSTALLATION

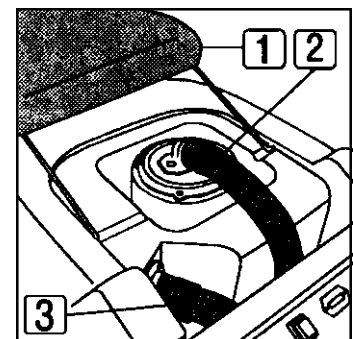
The four 6 volt, 244 AH or two 12 volt, 185 AH batteries fit in the compartment under the recovery tank.

For battery maintenance and charging, follow the instructions provided by the battery supplier.



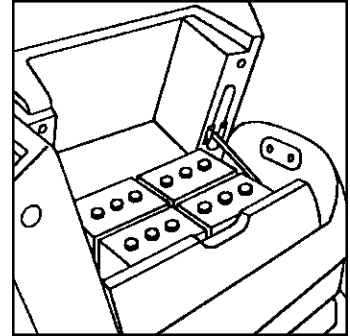
Installation Instructions:

1. Lift the cover of the recovery tank (1).
2. Take off the vacuum plug (2) by rotating it counterclockwise.
3. Detach the squeegee hose (3) from the recovery tank.
4. Lift the recovery tank from the side.



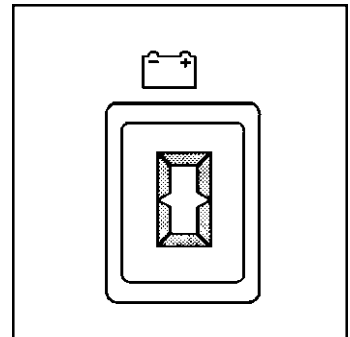
MACHINE PREPARATION

5. Place the batteries in their compartment.
6. Reassemble.



3. CHARGING THE BATTERIES

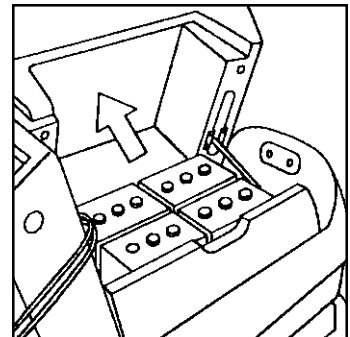
NEVER ALLOW THE BATTERIES TO RUN COMPLETELY DOWN, recharge them within a few minutes after the battery indicator starts blinking. **Never leave the batteries completely discharged**, even if the machine is not being used.



When charging the batteries, keep the recovery tank lifted with the prop as shown in the figure.

Turn the key to the OFF position. Connect the DC connector on the charger to the DC battery connector. Connect the AC charger plug to a receptacle that has the correct voltage and frequency for your charger. Make sure the receptacle is connected to the electrical ground.

Check the electrolyte level at least every 20 times the batteries are charged. **Add only distilled water** if the level is low.



WARNING! When charging the batteries, follow all the instructions provided with this manual and the battery charger. Trained staff must carry out the installation and maintenance operations.

WARNING! Fire Danger: Lead acid batteries generate gases that can cause an explosion. Keep sparks and flames away from batteries. **NO SMOKING!**

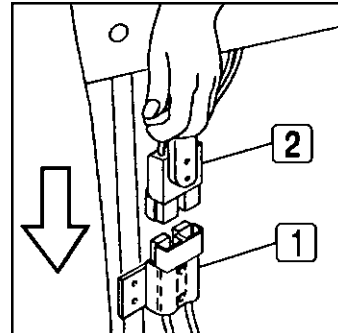
WARNING! To prevent an explosion, charge the batteries only in an area with good ventilation.

WARNING! Always wear eye protection and protective clothing when working near batteries.

MACHINE PREPARATION

4. CONNECTING THE BATTERY CONNECTOR

After charging the batteries, reconnect the battery connector (2) to the connector of the machine (1).

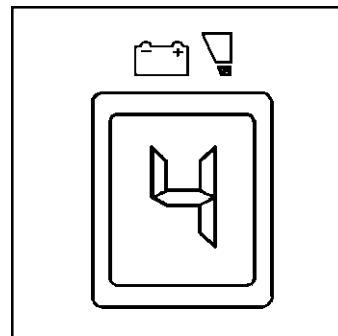


5. BATTERY INDICATOR

The battery indicator is digital with 4 fixed positions and a blinking one. The numbers, which appear on the display, show the approximate charge level.

4 = maximum charge, **3** = $\frac{3}{4}$ charge, **2** = $\frac{1}{2}$ charge, **1** = $\frac{1}{4}$ charge,

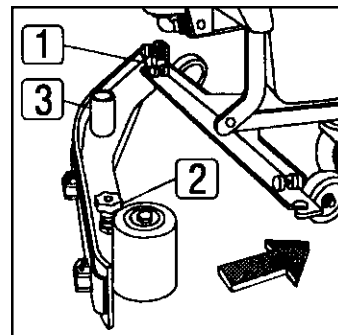
0 = (blinking) discharged batteries



6. SQUEEGEE ASSEMBLY

The squeegee is assembled as shown in the figure. The squeegee lever should be in its up position.

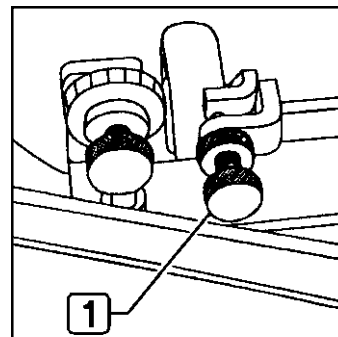
1. Insert the left squeegee pin (1) into the left arm slot.
2. Then insert the right pin (2) into the right slot. First, loosen the handwheel on top of the pin. Also, be careful to keep the spring and washer over the blade of the arm. Retighten the handwheel.
3. Fit the squeegee hose into its coupling.



7. ADJUSTING THE SQUEEGEE HEIGHT

The height from the floor to the squeegee should be adjusted based on the blade's wear. Rotate the knob (1) clockwise to lift the squeegee and counterclockwise to lower it.

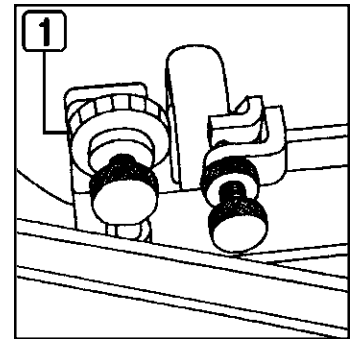
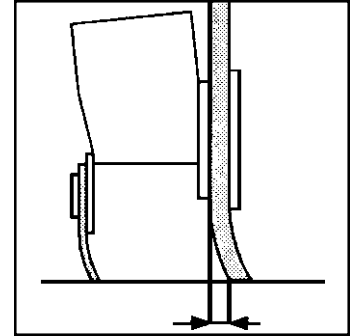
Note: Adjust the right and left knobs the same amount; the squeegee should be positioned parallel to the floor.



MACHINE PREPARATION

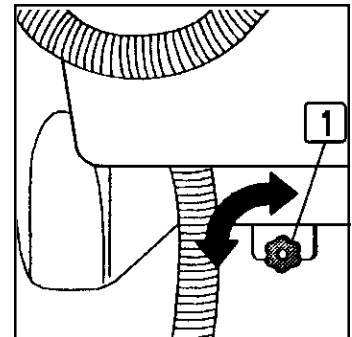
8. ADJUSTING THE SQUEEGEE INCLINATION

During operation, the rear squeegee blade is most efficient when tilted back about 3/16 inch (5mm) along its whole length. To increase the blade bending in the central part, tilt the squeegee body backward by turning the adjuster (1) counter-clockwise. Subsequently, turn the adjuster clockwise to increase the bending at the sides of the squeegee blade.



9. ADJUSTING THE SQUEEGEE PRESSURE

The squeegee pressure is preadjusted. However if it needs adjustment, tighten the knob (1) to increase the pressure and unscrew the knob to decrease the pressure.



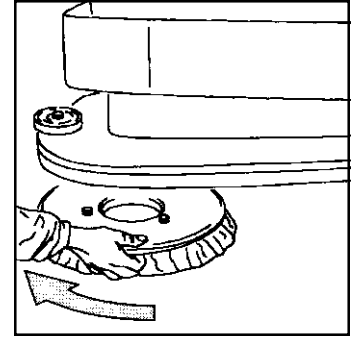
10. BRUSH ASSEMBLY

1. Lift the brush base with the foot pedal.
2. Turn the key to the **off** position (0).

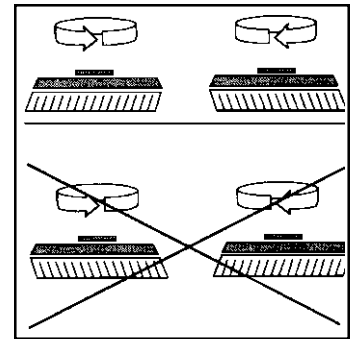
MACHINE PREPARATION

10. BRUSH ASSEMBLY CONTINUED

3. Place the brushes under the base. Line up the three lugs with the holes in the brush plate. Insert the brushes into the plate and turn each brush so the lugs are pushed toward their retaining springs, until clamped in place. The figure shows the direction of rotation for the coupling of the right brush. The left brush has to be rotated inversely.



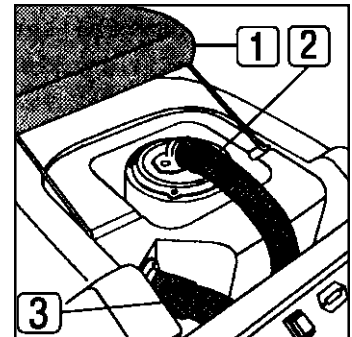
4. Invert the positions of the right and left brushes daily. However, if the brushes are not new and have deformed bristles, it is better to reassemble them in the same position. Because the different inclination of the bristles may cause an overload to the brush motor and excessive vibrations. Refer to the Daily Maintenance section for disassembly instructions.



11. RECOVERY TANK

Open the cover (1) and confirm that the following connections are secure:

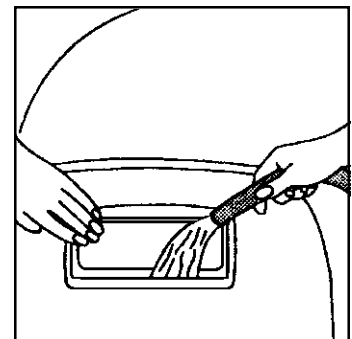
1. The vacuum cover is properly closed - line up the notches and rotate the cover clockwise to close.
2. The vacuum hose (2) is attached.
3. The squeegee hose (3) is securely attached.
4. The plug on the drain hose, which is located in the rear part of the machine, is closed.



12. SOLUTION WATER

Fill the solution tank with clean water at a temperature not more than 50°C/122°F. Add the proper concentration of liquid detergent by following the manufacturer instructions. Excess foam in the recovery tank can damage the vacuum motor, so use only the minimum amount of detergent necessary. Reassemble the cover.

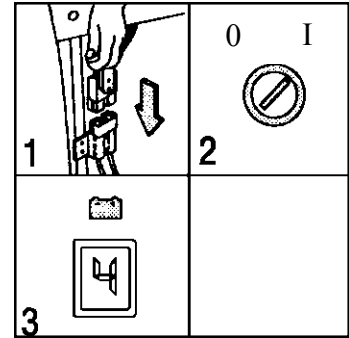
WARNING!: ALWAYS USE LOW FOAMING DETERGENT. Adding antifoam liquid into the recovery tank before cleaning will also help prevent foaming. **NEVER USE PURE ACID.**



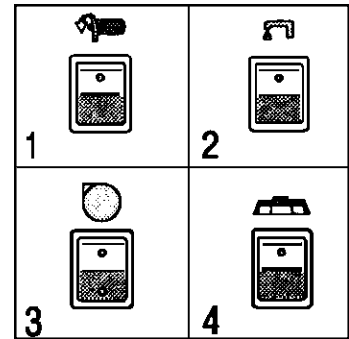
OPERATION

1. STARTING WORK

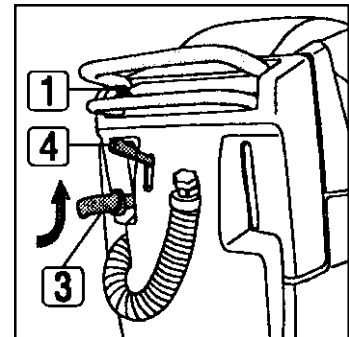
1. Connect the machine connector to the battery connector (1).
2. Turn the key (2) clockwise to position I (ON) . The green signal light will come on (3) indicating the batteries are charged (if blinking, the batteries need to be charged).



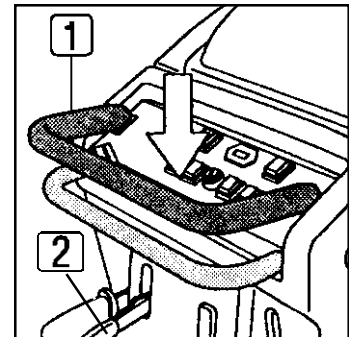
3. Press in on the top of the brush motor switch (1), the brush indicator light (4) will illuminate.
4. Press the solenoid valve switch (2).
5. Press the vacuum motor switch (3).



6. Adjust the amount of cleaning solution through lever (1). There should be enough solution to wet the floor uniformly, but not so much that it gets past the splash guard. Remember that the correct solution quantity depends on the type of floor, the dirt and the speed.
7. Release the foot pedal and lower the brush base.
8. Lower the squeegee: Release lever (3) by pushing it in and then up.
9. Check that the parking brake (4) is released, the light should be off.



10. The machine will move by pushing down on the lever (1). During the first few yards of operation, check that the quantity of the cleaning solution is sufficient and that the squeegee dries the floor surface.



WARNING: The parking brake (2) must be released prior to pushing down on the drive lever (1). If the parking brake is left on, damage may occur to the drive belt.

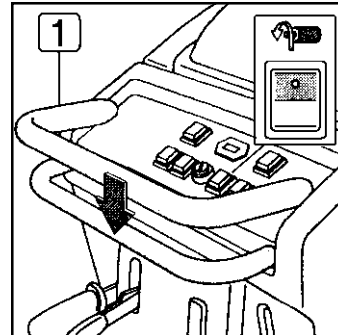
OPERATION

2. MOVEMENT

The movement of this machine is obtained through lever (1), which causes tension on a flat belt. The machine's speed is proportional to the force carried on the lever. Push down on the lever for forward movement. For reverse movement press on the lower half of the brush motor switch. You must continue to hold down on the lower part of the switch while pushing down on lever (1) at the same time.

WARNING! Always lift the squeegee when moving backward.

WARNING: The parking brake must be released prior to pushing down on the drive lever (1). If the parking brake is left on, damage may occur to the drive belt.

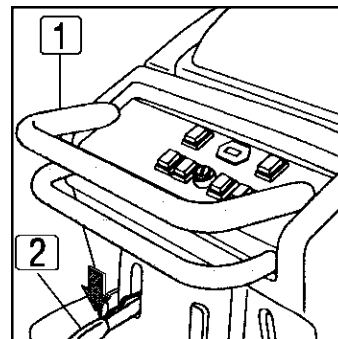


3. BRAKE

The parking and emergency brake is controlled through lever (2). To slow down, it is only necessary to release the drive lever (1).

However, if problems occur during operation, release the drive lever (1) and immediately lower the brake lever (2). This will stop the machine's movement.

To restart the machine after the problem has been solved, **release the parking brake lever (2) and push down on the drive lever.**

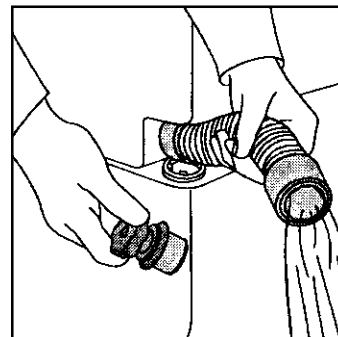


4. RECOVERY TANK FULL

The machine is equipped with a float that blocks the vacuum when the recovery tank is full. You may notice that the vacuum motor sounds different, because its revolutions have increased. Immediately turn off the vacuum motor and empty the recovery tank.

Empty the recovery tank by removing the plug on the drain hose.

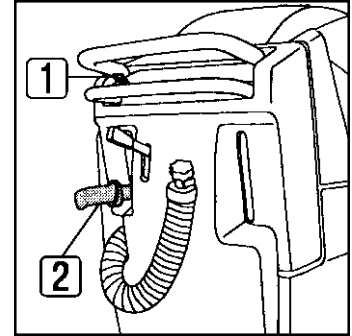
Use gloves for protection from contact with dangerous solutions.



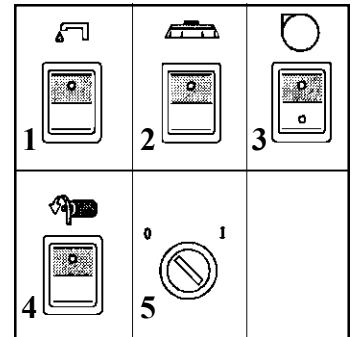
UPON COMPLETION OF THE WORK

After finishing your work and before any type of maintenance is done, it is necessary to do the following:

1. Close the water valve through lever (1).
2. Lift the brush base with the foot pedal.
3. Lift the squeegee with lever (2). Note: The squeegee blades can be damaged if the squeegee is not raised during storage or transport.

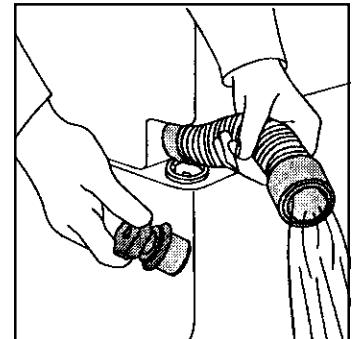


4. Switch off the solenoid valve switch (1).
5. Switch off the vacuum motor switch (3).
6. Take the machine to the location where the recovery tank is to be emptied.
7. Switch off the brush motor switch (4), the brush indicator light (2) will turn off.
8. Turn the key (5) OFF.
9. Set the parking brake.

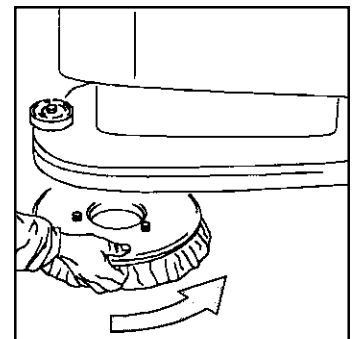


10. Empty the recovery tank by removing the drain plug on the drain hose.

Note: Wear gloves as protection from contact with dangerous solutions.



11. Take off the brushes and clean them with water (for brush disassembly refer to the section "DISASSEMBLY OF THE ROTATING BRUSHES").
12. Clean the squeegee with water.

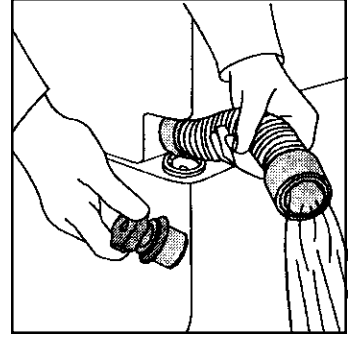


DAILY MAINTENANCE

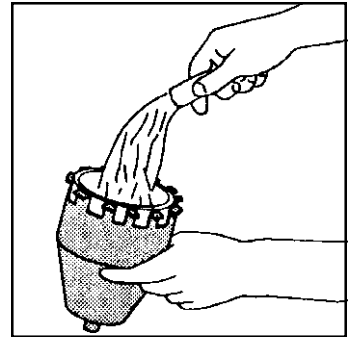
1. CLEANING THE RECOVERY TANK AND FILTER

1. Release the drain hose on the rear panel.
2. Unscrew the drain plug and completely empty the tank.

Use gloves to protect yourself from contact with dangerous solutions



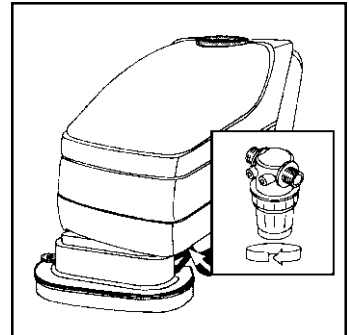
3. Lift the cover of the recovery tank.
4. Take off the vacuum plug by rotating it counter-clockwise.
5. Remove the filter and its housing.
6. Rinse with water.
7. For a more thorough cleaning, remove the filter from its housing and rinse.
8. Reassemble.



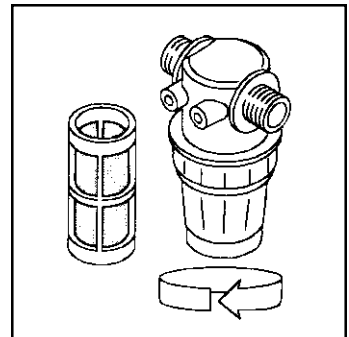
2. CLEANING THE SOLUTION TANK AND FILTER

1. Open the water valve.
2. Empty the solution tank by unscrewing (CCW) the filter located under the left side of the machine.
3. Clean the inside of the tank with clean water at a temperature not more than 50°C/ 122°F.

Use gloves to protect yourself from contact with dangerous solutions



4. Remove the cartridge from the filter and clean with water.
5. Reassemble.



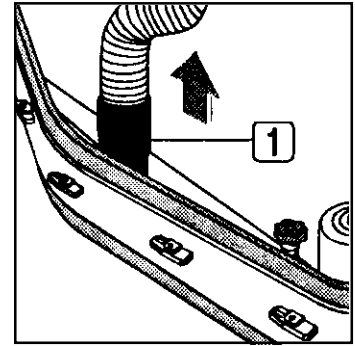
DAILY MAINTENANCE

3. CLEANING THE SQUEEGEE

To have the best drying results, keep the squeegee clean. To clean the squeegee:

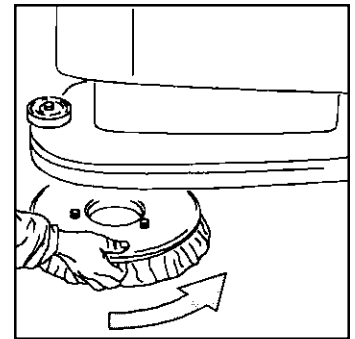
1. Lift the squeegee with its lever.
2. Remove the hose (1) from the squeegee assembly.
3. Clean the inside of the squeegee thoroughly with water.
4. Clean the squeegee blades with water.
5. Check the squeegee blades for wear and if necessary, change them. Refer to the “Weekly Maintenance” section.
6. Reassemble.

Note: This maintenance assures a longer life for the vacuum motor.



4. DISASSEMBLY OF THE ROTATING BRUSHES

1. Lift the brush base with its lever.
2. Turn the key to the OFF position and remove it from the switch.
3. Unhook the splash guards on the brush base (for the disassembly of the splash guards see “REPLACEMENT OF SPLASH GUARDS”).
4. Rotate each brush until it comes off from the brush plate seat. The figure shows the rotating direction for the disassembly of the right brush, the left one has to be rotated inversely.

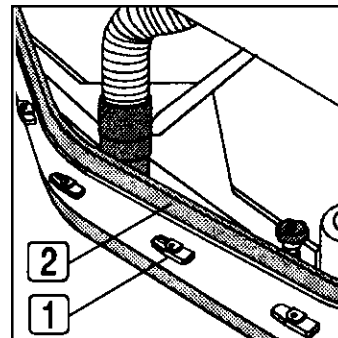


WEEKLY MAINTENANCE

1. REPLACEMENT OF THE REAR SQUEEGEE BLADE

If the rear squeegee blade is worn and does not dry the floor well, reverse the cleaning edge or replace it as follows:

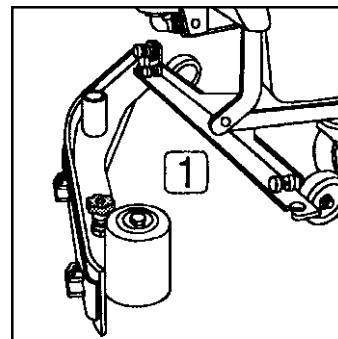
1. Push the fixing plates (1) by tapping with a hammer, then rotate them.
2. Slip off the retainer and the squeegee blade.
3. Turn the squeegee blade (2) upside-down and if necessary, replace it.
4. Reassemble everything repeating the above operations in reverse.
5. Adjust the squeegee height depending on the squeegee blades wear (see under "SQUEEGEE ADJUSTMENT").



2. REPLACEMENT OF THE FRONT SQUEEGEE BLADE

If the front squeegee blade is worn, good vacuum is not achieved and the machine will not dry the floor well. Replace as follows:

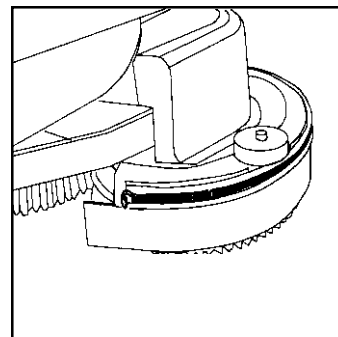
1. Detach the squeegee by loosening the knob (1).
2. Loosen the nuts that attach the front blade.
3. Slip off the squeegee blade and replace it.
4. Reassemble.



3. REPLACEMENT OF THE SPLASH GUARD

Check the condition of the splash guard on the brush base. If it is necessary to replace it, proceed as follows:

1. Unhook the two metallic blades (1)
2. Take the splash guard off and replace it.
3. Reassemble.



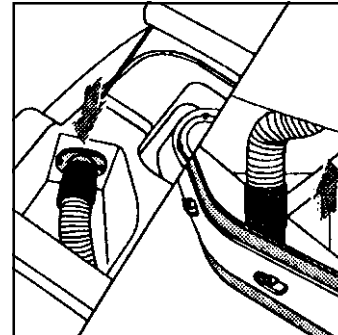
WEEKLY MAINTENANCE

4. CLEANING THE SQUEEGEE HOSE

Weekly or whenever the suction is insufficient, make sure the squeegee hose is not obstructed. To clean:

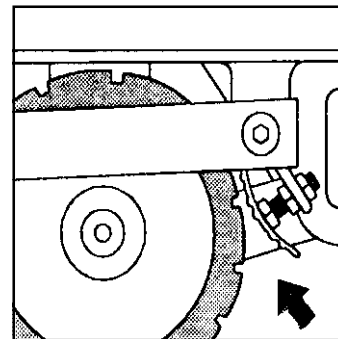
1. Take off the hose from its coupling on the squeegee.
2. Take off the other end from the recovery tank.
3. Wash the inner part of the hose with a water jet from the tank side.
4. Reassemble.

WARNING! Do not wash the hose that goes from the vacuum motor to the vacuum plug.



5. CHECK BRAKE

Check the distance between the brake pads and the wheels weekly. Adjust this distance to about 1/8 inch (3mm).



TROUBLE SHOOTING GUIDE

1. INSUFFICIENT WATER ONTO THE BRUSH

1. Make sure the water valve is open.
2. Confirm there is water in the solution tank.
3. Make sure the solenoid valve switch is on.
4. Make sure the brush switch is on.
5. Clean the solution filter.
6. Check the solenoid valve.

2. THE MACHINE DOES NOT CLEAN SATISFACTORILY

Check the condition of the brush and replace it if necessary. The brush should be replaced when the bristles reach about 5/8 inch (15mm).

3. THE SQUEEGEE DOES NOT DRY THE FLOOR WELL

1. Check that the squeegee blades are clean.
2. Adjust the inclination of the squeegee.
3. Confirm the vacuum hose is correctly fitted in its housing on the recovery tank.
4. Confirm the squeegee hose is correctly fitted in its housing on the recovery tank.
5. Replace the blades if worn.
6. Check that the vacuum motor switch is on.
7. Check the squeegee height adjustment.
8. Clean the recovery tank filter.

4. EXCESSIVE FOAM PRODUCTION

Check that a low foam detergent has been used. If required, add a small quantity of antifoam liquid into the recovery tank.

Remember that more foam is generated when the floor is not very dirty. Use less detergent if this is the case.

SERVICE LOG

WARRANTY POLICY
PACIFIC STEAMEX INC. LIMITED WARRANTY

The **Pacific Steamex Inc.** ScrubMaster 26C has been manufactured, tested and inspected in accordance with specific engineering requirements. This machine is **WARRANTED** to be free from defects in workmanship and materials for periods as follows from the date of purchase.

Ten years parts, one year labor – Polyethylene Components
Five years parts, one year labor – Main Frame
Two years parts, one year labor– Brush Drive Motors
One year parts & labor – All other components unless excluded below

Travel time for warranty repair is authorized for a period of ninety (90) days following the date of sale to the end user, with a maximum of three (3) hours per claim.

This warranty extends to the original user/purchaser and only when used, operated and maintained in accordance with **Pacific Steamex Inc.** Operating and Maintenance instructions.

This warranty does not apply to certain wear parts and accessories of the machine such as electrical cords, carbon motor brushes, floor brushes, belts, hoses, tools, squeegee blades, etc., nor does it apply to damage or failure caused by improper use, abuse or neglect. Warranty credit or replacement of return parts including motors, pumps, etc., is subject to incoming inspection of those items.

To secure repair under this warranty, the following procedure should be taken:

1. After the expiration of the ninety (90) day travel time warranty period, the customer is responsible for warranty travel payment or the inoperative machine or warranted parts must be delivered to the authorized dealer with shipping and delivery charges prepaid. If unable to locate the Dealer, you may contact **Pacific Steamex Inc.** at the address listed herein for the location of the nearest **Pacific Steamex Inc.** repair center or agent or for other instructions pertaining to your warranty difficulty.
2. Upon compliance with the above warranty procedure, all warranted repairs will be completed at no additional charge or cost to the user.
3. Only **Pacific Steamex Inc.** or its authorized dealers and agents may make no charge warranty repairs on this product. All others do so at their own risk.

This warranty limits **Pacific Steamex Inc.** liability to the repair of the product and/or warranted parts replacement and does not include incidental or consequential damages arising from the use of a **Pacific Steamex Inc.** machine whether defective or not.

BATTERY WARRANTY

In addition to the terms above, any original equipment Pacific Steamex Battery which becomes unserviceable under normal use within a period of ninety (90) days from date of sale to the original user will be repaired or replaced with one of equal specification at our option, F.O.B. any authorized Pacific Steamex Sales or Service Branch, with no charge to user, except transportation costs. After the expiration of the above ninety (90) day period, any battery which fails under normal use will be adjusted to the original user with a new battery of equal specification on a twelve (12) month pro rata basis from the date of purchase. Adjustment will be determined using the then current list price, plus transportation costs. Warranty is rendered null and void if battery is not kept filled to the proper level with **DISTILLED WATER.**

This warranty is in lieu of all other expressed or implied warranties and is extended to the original purchaser/user.

PACIFIC STEAMEX, INC.
2259 S. SHERIDAN
MUSKEGON, MICHIGAN 49442-6252
1-800-968-1332
FAX 1-800-863-9536