

ScrubMaster 26C

Parts List

The contents of this manual are based on the latest product information available at the time of publication. Pacific Steamex reserves the right to make changes or improvements to its machines without notice.

For new books write to:

Pacific
2259 S. Sheridan
Muskegon, MI 49442-6252

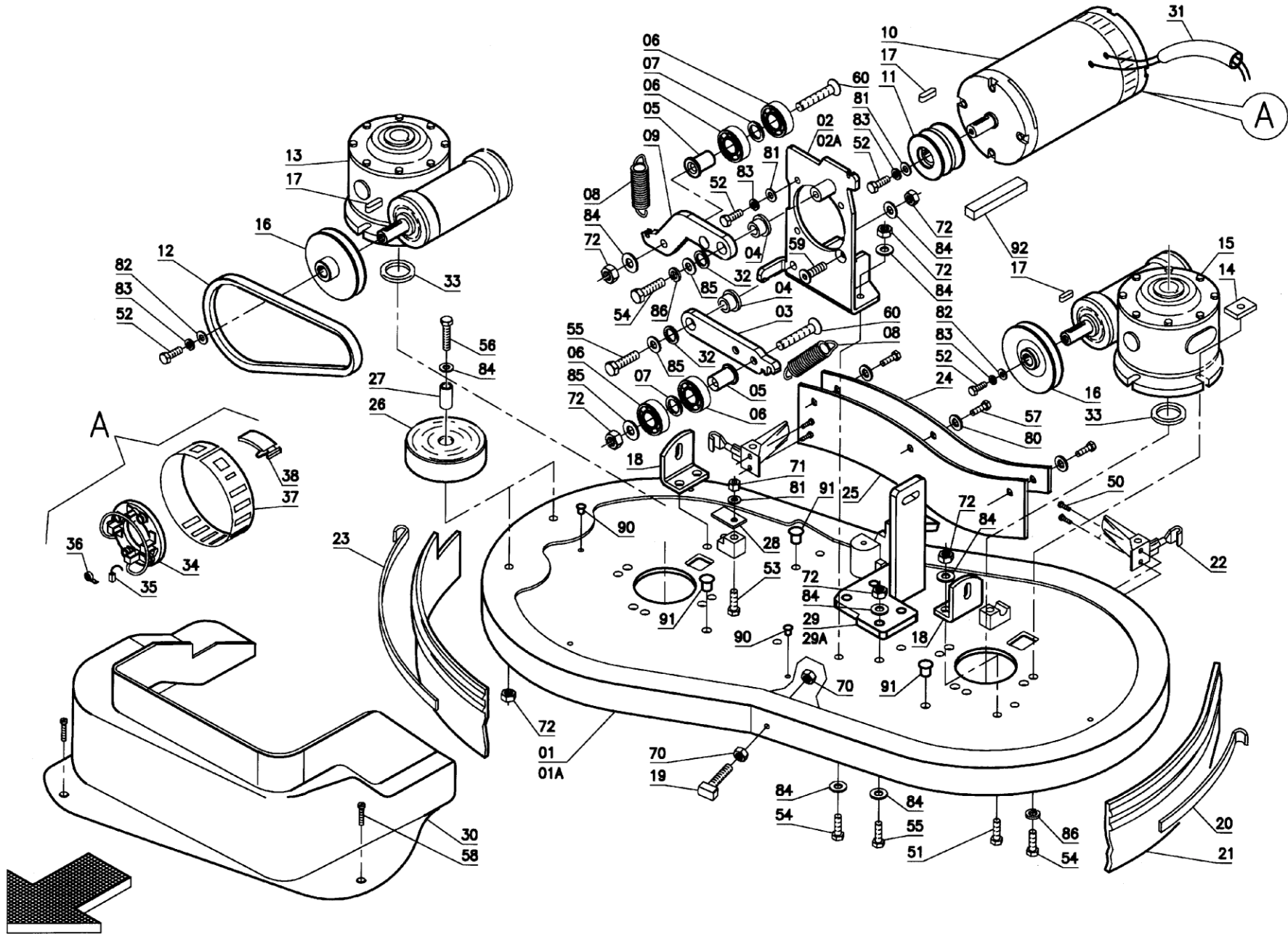
FOR YOUR CONVENIENCE, RECORD THE FOLLOWING INFORMATION:

MODEL _____

SERIAL NUMBER _____

PART NUMBER _____

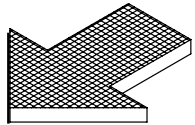
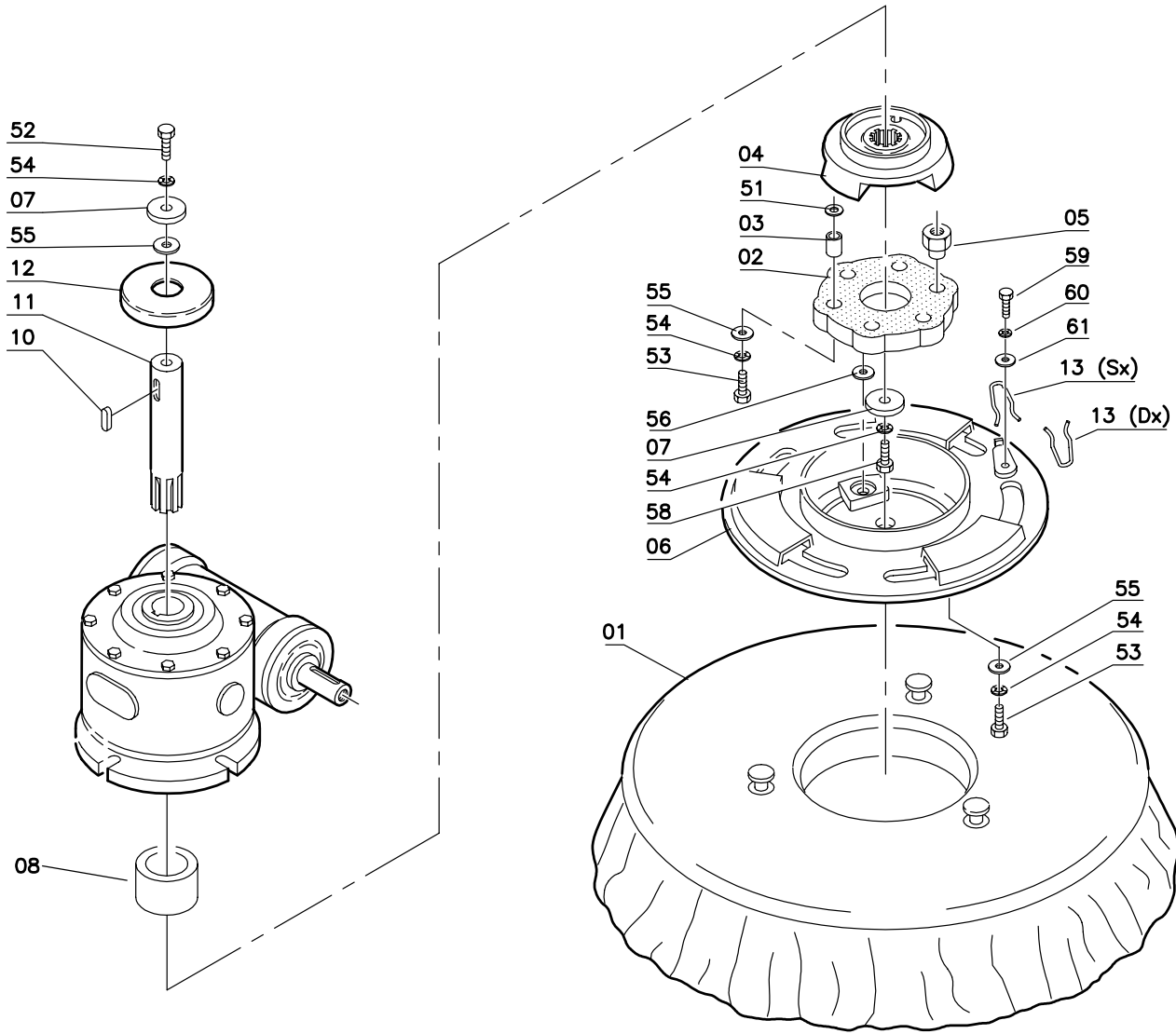
DATE PURCHASED _____



26C - DRAWING 01A

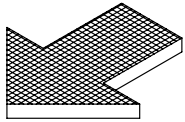
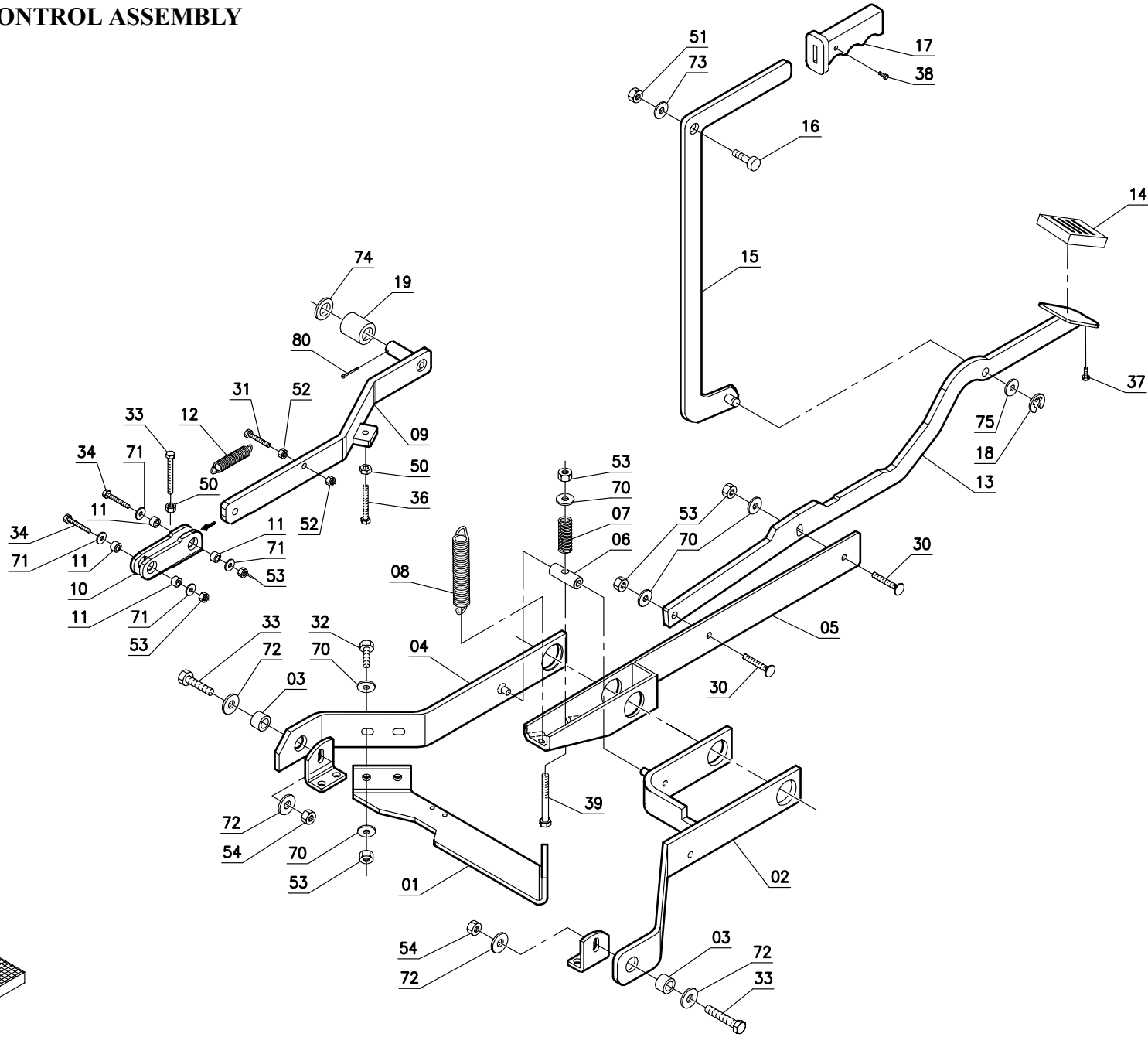
| Item | Part Number | Description | Qty. |
|------|-----------------|-------------------------|------|
| 1 | 69807020 | Brushes Base | 1 |
| 2 | 40701310 | Motor Support | 1 |
| 3 | 40701320 | Tightener | 1 |
| 4 | 69106020 | Bushing | 2 |
| 5 | 69106150 | Bushing | 2 |
| 6 | 70511506 | Bearing | 4 |
| 7 | 71222002 | Shim | 2 |
| 8 | 69220540 | Spring | 2 |
| 9 | 40701330 | Tightener | 1 |
| 10 | 68220230 | Motor | 1 |
| 11 | 69410280 | Motor Pulley | 1 |
| 12 | 70110018 | Belt | 2 |
| 13 | 68600010 | Reduction Gear Assembly | 1 |
| 14 | 40301170 | Plaque | 6 |
| 15 | 68600020 | Reduction Gear Inverted | 1 |
| 16 | 69410270 | Pulley | 2 |
| 17 | 70405052 | Key | 3 |
| 18 | 40701340 | Support | 2 |
| 19 | 40301120 | Screw | 1 |
| 20 | 40701180 | Blade | 1 |
| 21 | 67607040 | Splash Guard | 1 |
| 22 | 74400002 | Hook Assembly | 2 |
| 23 | 40701190 | Blade | 1 |
| 24 | 40701200 | Blade | 1 |
| 25 | 67607050 | Splash Guard | 1 |
| 26 | 67020030 | Wheel | 2 |
| 27 | 69102110 | Bushing | 2 |
| 28 | 40228500 | Blade | 2 |
| 29 | 40703670 | Support | 1 |
| 30 | 40746200 | Base Cover | 1 |
| 31 | 67404160 | Sheath | 1 |

| Item | Part Number | Description | Qty. |
|------|-----------------|------------------------|------|
| 32 | 71222001 | Shim | 2 |
| 33 | 68600101 | Washer | 2 |
| 34 | 72901051 | Carbon Brush Holder | 1 |
| 35 | 880952 | Carbon Brush for Motor | 4 |
| 36 | 72901039 | Spring | 4 |
| 37 | 73501102 | Clamp | 1 |
| 38 | 73501106 | Hook | 1 |
| 50 | 70910412 | Screw | 4 |
| 51 | 70910806 | Screw | 4 |
| 52 | 70910610 | Screw | 5 |
| 53 | 70910616 | Screw | 2 |
| 54 | 964090 | Screw | 9 |
| 55 | 70910810 | Screw | 4 |
| 56 | 964103 | Screw | 2 |
| 57 | 964133 | Screw | 3 |
| 58 | 70940604 | Screw | 3 |
| 59 | 70980602 | Screw | 2 |
| 60 | 70980812 | Screw | 2 |
| 70 | 924057 | Nut | 2 |
| 71 | 924026 | Lock Nut | 2 |
| 72 | 924033 | Lock Nut | 14 |
| 80 | 71105002 | Washer | 3 |
| 81 | 980040 | Washer | 6 |
| 82 | 71106007 | Washer | 2 |
| 83 | 71106009 | Lock Washer | 6 |
| 84 | 980039 | Washer | 18 |
| 85 | 71108007 | Washer | 3 |
| 86 | 71108009 | Washer | 7 |
| 90 | 72913001 | Cap | 2 |
| 91 | 72913020 | Cap | 4 |
| 92 | 80930009 | Profile | 1 |



26C - DRAWING 02

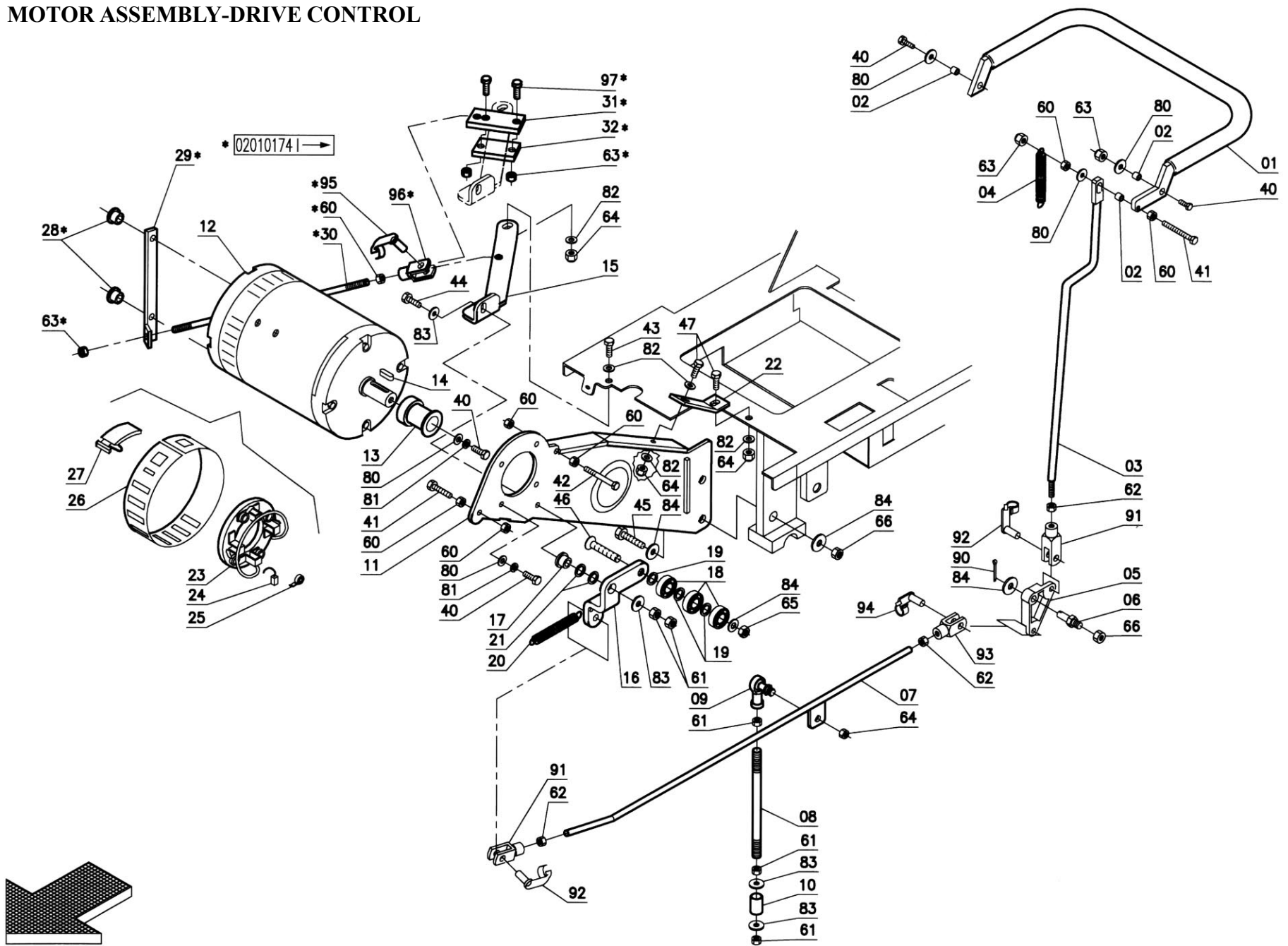
| Item | Part Number | Description | Qty. |
|------|-------------|-------------------|------|
| 1 | 880970 | Brush | 2 |
| | 885970 | Pad Driver | 2 |
| 2 | 40301070 | Flexible Coupling | 2 |
| 3 | 69009010 | Spacer | 6 |
| 4 | 41201040 | Flange | 2 |
| 5 | 69102030 | Bushing | 6 |
| 6 | 41201050 | Brush Plate | 2 |
| 7 | 40205080 | Special Washer | 4 |
| 8 | 69006060 | Spacer | 2 |
| 10 | 70408071 | Key | 2 |
| 11 | 40701160 | Shaft | 2 |
| 12 | 40301160 | Cap | 2 |
| 13 | 69230010 | Spring | 2 |
| 51 | 980039 | Lock Washer | 6 |
| 52 | 964090 | Screw | 2 |
| 53 | 964085 | Screw | 12 |
| 54 | 980069 | Lock Washer | 16 |
| 55 | 980044 | Washer | 14 |
| 56 | 71308004 | Washer | 6 |
| 58 | 70930801 | Screw | 2 |
| 59 | 70910602 | Screw | 2 |
| 60 | 71106009 | Lock Washer | 2 |
| 61 | 980065 | Washer | 2 |



26C - DRAWING 03

| Item | Part Number | Description | Qty. |
|------|-------------|-------------|------|
| 1 | 40703500 | Bar | 1 |
| 2 | 40703680 | Left Arm | 1 |
| 3 | 69102050 | Bushing | 2 |
| 4 | 40703690 | Right Arm | 1 |
| 5 | 40703600 | Rocker Arm | 1 |
| 6 | 40703060 | Bar | 1 |
| 7 | 69210450 | Spring | 1 |
| 8 | 69220530 | Spring | 1 |
| 9 | 40703650 | Arm | 1 |
| 10 | 40703660 | Joint | 1 |
| 11 | 69115020 | Bushing | 4 |
| 12 | 888350 | Spring | 1 |
| 13 | 40703700 | Pedal | 1 |
| 14 | 40212140 | Pedal Cover | 1 |
| 15 | 40703710 | Lever | 1 |
| 16 | 40312270 | Pin | 1 |
| 17 | 74100007 | Knob | 1 |
| 18 | 70230008 | Seeger Ring | 1 |
| 19 | 69101020 | Bushing | 1 |
| 30 | 70900801 | Screw | 2 |

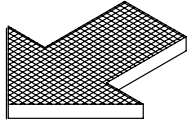
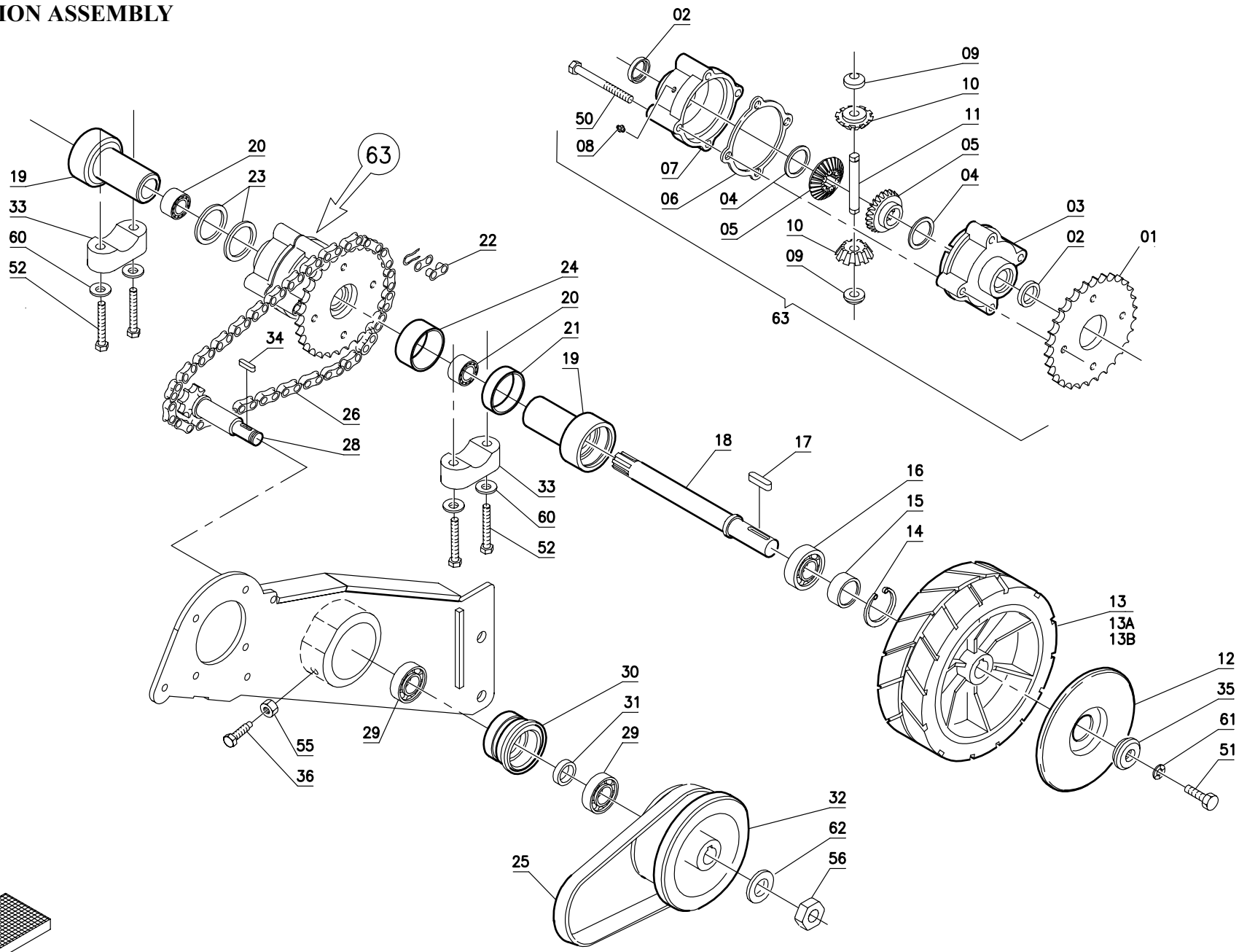
| Item | Part Number | Description | Qty. |
|------|-------------|-------------|------|
| 31 | 964095 | Screw | 1 |
| 32 | 964090 | Screw | 4 |
| 33 | 964085 | Screw | 3 |
| 34 | 964103 | Screw | 2 |
| 36 | 70910828 | Screw | 1 |
| 37 | 70920402 | Screw | 1 |
| 38 | 964133 | Screw | 1 |
| 39 | 70980811 | Screw | 1 |
| 50 | 964035 | Nut | 2 |
| 51 | 924053 | Nut | 1 |
| 52 | 964063 | Nut | 2 |
| 53 | 924033 | Lock Nut | 9 |
| 54 | 71020802 | Lock Nut | 2 |
| 70 | 980039 | Washer | 11 |
| 71 | 980044 | Washer | 4 |
| 72 | 980070 | Washer | 4 |
| 73 | 71110005 | Washer | 1 |
| 74 | 71114002 | Washer | 1 |
| 75 | 980064 | Washer | 1 |
| 80 | 71525002 | Split Pin | 1 |



26C - DRAWING 04

| Item | Part Number | Description | Qty. |
|------|-----------------|------------------------|------|
| 1 | 69502020 | Handle Bar | 1 |
| 2 | 69101240 | Bushing | 3 |
| 3 | 40728160 | Rod | 1 |
| 4 | 69220540 | Spring | 1 |
| 5 | 40228020 | Rocker Arm | 1 |
| 6 | 40228030 | Pin | 1 |
| 7 | 40728150 | Tie Rod | 1 |
| 8 | 40728170 | Rod | 1 |
| 9 | 70540802 | Articulation Head | 1 |
| 10 | 881145 | Bushing | 1 |
| 11 | 40730100 | Motor Support | 1 |
| 12 | 68220240 | Motor | 1 |
| 13 | 69410300 | Motor Pulley | 1 |
| 14 | 885030 | Key | 1 |
| 15 | 40730110 | Reinforcement | 1 |
| 16 | 40730120 | Tightener | 1 |
| 17 | 69106020 | Bushing | 1 |
| 18 | 70511001 | Bearing | 3 |
| 19 | 71216001 | Shim | 3 |
| 20 | 888350 | Spring | 1 |
| 21 | 71222001 | Shim | 2 |
| 22 | 40730130 | Angle | 1 |
| 23 | 72901029 | Carbon Brush Holder | 1 |
| 24 | 71707141 | Carbon Brush for Motor | 4 |
| 25 | 72901037 | Spring | 4 |
| 26 | 73501102 | Clamp | 1 |
| 27 | 73501106 | Hook | 1 |
| 28 | 69102150 | Bushing | 2 |
| 29 | 40730140 | Support | 1 |
| 30 | 40730150 | Rod | 1 |

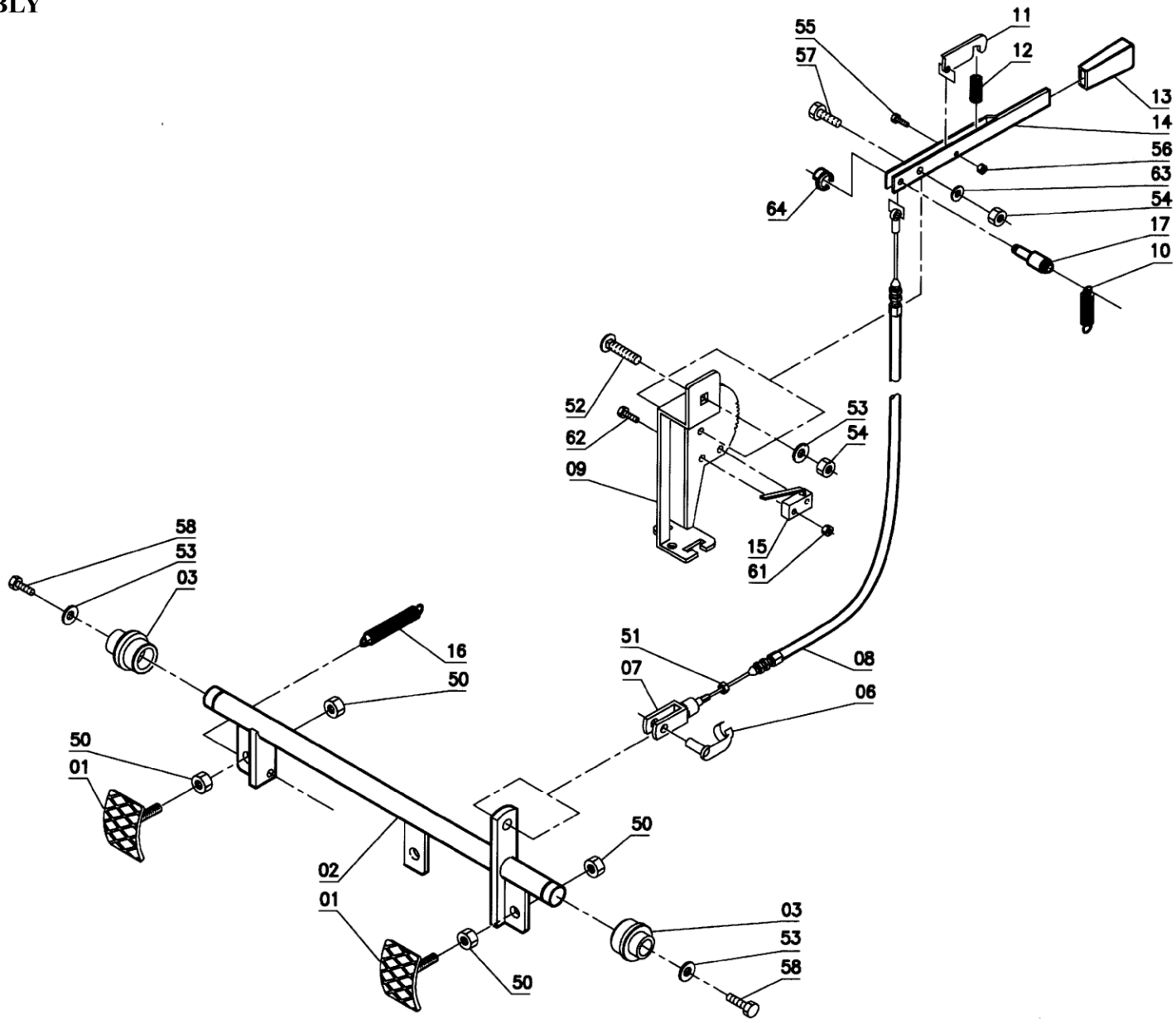
| Item | Part Number | Description | Qty. |
|------|-----------------|-------------|------|
| 31 | 40730160 | Support | 1 |
| 32 | 40730170 | Support | 1 |
| 40 | 964116 | Screw | 7 |
| 41 | 964079 | Screw | 2 |
| 42 | 70910627 | Screw | 1 |
| 43 | 70910806 | Screw | 1 |
| 44 | 70910813 | Screw | 1 |
| 45 | 70911006 | Screw | 2 |
| 46 | 70981007 | Screw | 1 |
| 47 | 964086 | Screw | 2 |
| 60 | 924063 | Nut | 6 |
| 61 | 71010807 | Nut | 4 |
| 62 | 71010809 | Nut | 3 |
| 63 | 924026 | Lock Nut | 2 |
| 64 | 924033 | Lock Nut | 4 |
| 65 | 71021001 | Lock Nut | 1 |
| 66 | 924055 | Lock Nut | 3 |
| 80 | 980040 | Washer | 8 |
| 81 | 71106009 | Lock Washer | 5 |
| 82 | 980039 | Washer | 5 |
| 83 | 980044 | Washer | 4 |
| 84 | 980064 | Washer | 6 |
| 90 | 71525002 | Split Pin | 1 |
| 91 | 74610005 | Fork | 2 |
| 92 | 74620006 | Pin | 2 |
| 93 | 74610001 | Fork | 1 |
| 94 | 74620001 | Pin | 1 |
| 95 | 74620005 | Pin | 1 |
| 96 | 74610004 | Fork | 1 |
| 97 | 964078 | Screw | 2 |



26C - DRAWING 05

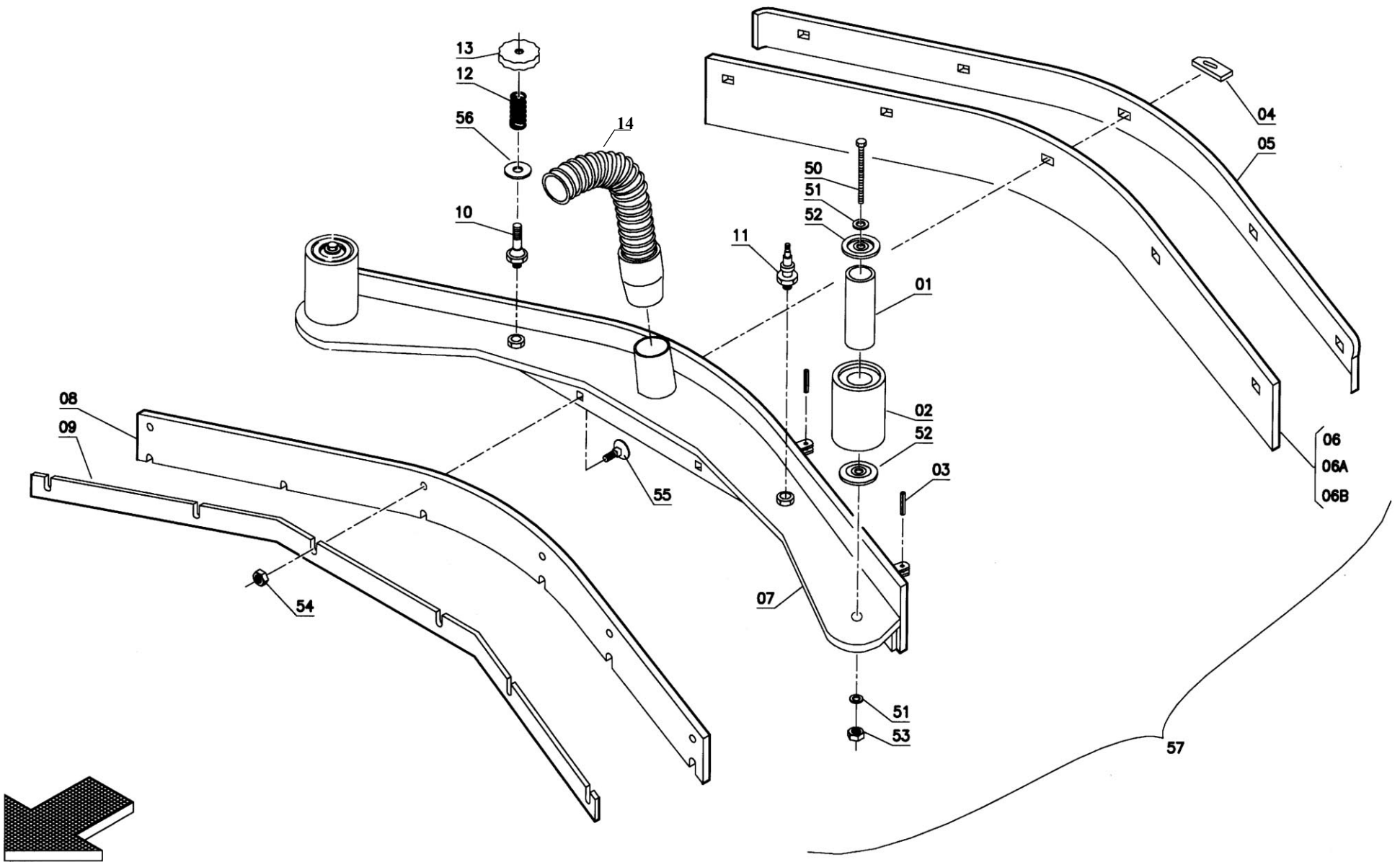
| Item | Part Number | Description | Qty. |
|------|-------------|-----------------------------|------|
| *1 | 69330010 | Crown Gear | 1 |
| *2 | 887630 | Oil Seal | 2 |
| *3 | 40217020 | Differential Housing, Right | 1 |
| *4 | 888557 | Shim | 2 |
| *5 | 69350020 | Crown Wheel | 2 |
| *6 | 67400060 | Gasket Differential | 1 |
| *7 | 40217030 | Differential Housing, Left | 1 |
| *8 | 74700001 | Grease Nipple | 1 |
| *9 | 40217050 | Thrust Washer | 2 |
| *10 | 69350010 | Plantetary Gear | 2 |
| *11 | 40217060 | Pin Planet Wheel | 1 |
| 12 | 40217120 | Wheel Cover | 2 |
| 13 | 67030060 | Wheel | 2 |
| 14 | 887351 | Seeger Ring | 2 |
| 15 | 69001170 | Spacer | 2 |
| 16 | 902033 | Bearing | 2 |
| 17 | 70406066 | Key | 2 |
| 18 | 68902020 | Axle Shaft | 2 |
| 19 | 40217040 | Left Support | 1 |
| 20 | 70532001 | Bearing | 2 |
| 21 | 69006100 | Spacer | 1 |
| 22 | 70300004 | Joint Chain | 1 |

| Item | Part Number | Description | Qty. |
|------|-----------------|-----------------------|------|
| 23 | 69001070 | Spacer | 2 |
| 24 | 69006110 | Spacer | 1 |
| 25 | 70120005 | Belt | 1 |
| 26 | 70300001 | Chain | 1 |
| 28 | 69310010 | Pinion | 1 |
| 29 | 70512001 | Bearing | 2 |
| 30 | 40217100 | Eccentric Hub | 1 |
| 31 | 69001060 | Spacer | 1 |
| 32 | 69430190 | Pulley | 1 |
| 33 | 40216010 | Holdfast | 2 |
| 34 | 70406062 | Key | 1 |
| 35 | 40217110 | Washer for Wheel | 2 |
| 36 | 40217080 | Special Screw | 1 |
| *50 | 70910821 | Screw | 4 |
| 51 | 70930801 | Screw | 2 |
| 52 | 70910813 | Screw | 4 |
| 55 | 924035 | Nut | 1 |
| 56 | 924055 | Lock Nut | 1 |
| 60 | 980069 | Washer | 4 |
| 61 | 71308002 | Split Washer | 2 |
| 62 | 71110005 | Washer | 1 |
| *63 | A2170001 | Differential Assembly | |



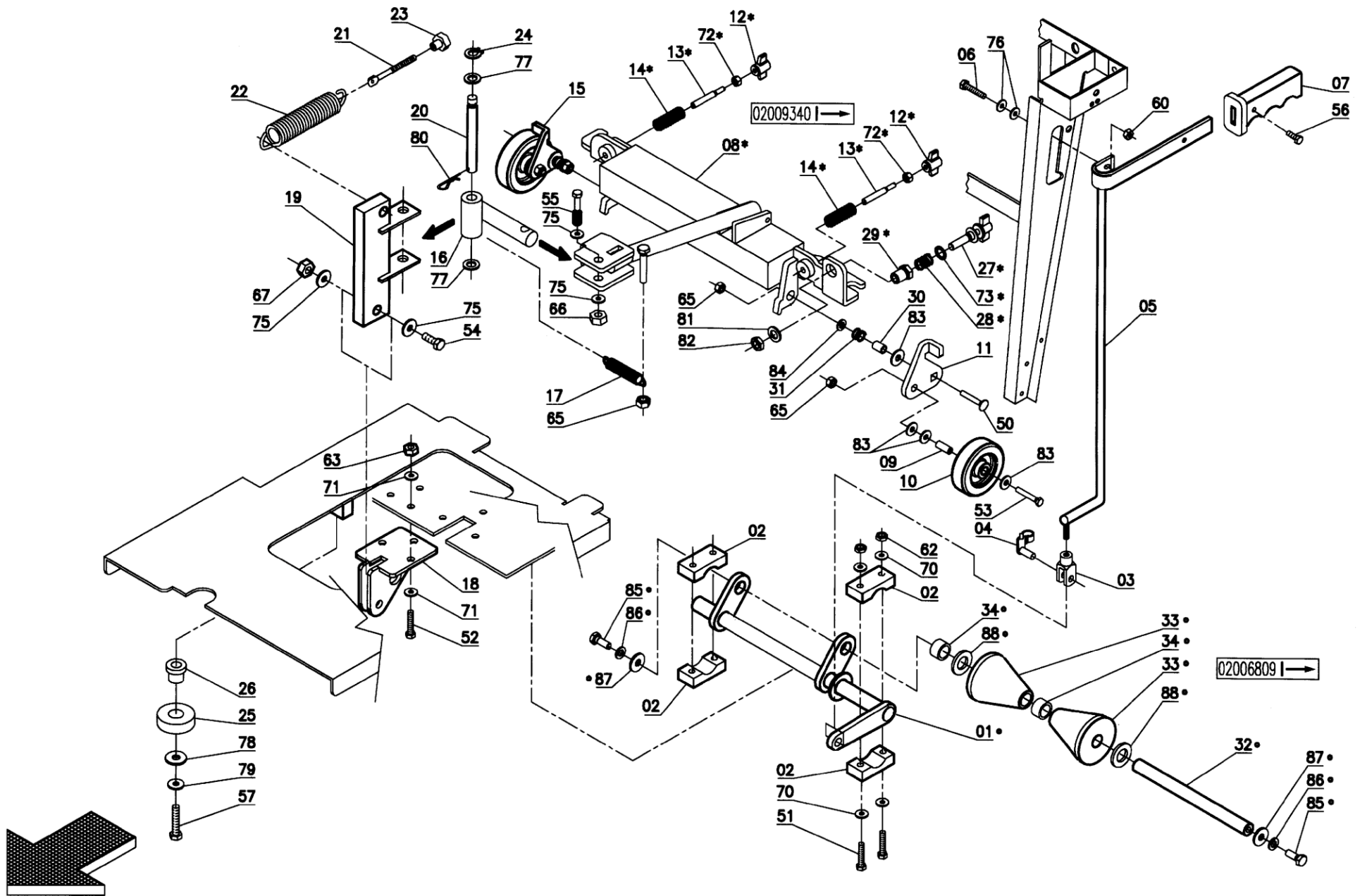
26C - DRAWING 06

| Item | Part Number | Description | Qty. |
|------|-----------------|-------------|------|
| 1 | 40218110 | Pad | 2 |
| 2 | 40718100 | Shaft | 1 |
| 3 | 69101190 | Bushing | 2 |
| 6 | 74620005 | Pin | 1 |
| 7 | 74610004 | Fork | 1 |
| 8 | 74803024 | Brake Cable | 1 |
| 9 | 40218160 | Plaque | 1 |
| 10 | 888336 | Spring | 1 |
| 11 | 40318110 | Lever | 1 |
| 12 | 69210540 | Spring | 1 |
| 13 | 74100005 | Knob | 1 |
| 14 | 40318100 | Lever | 1 |
| 15 | 72105009 | Microswitch | 1 |
| 16 | 69220240 | Spring | 1 |
| 17 | 40218170 | Pin | 1 |
| 50 | 71011202 | Nut | 4 |
| 52 | 70900801 | Screw | 1 |
| 53 | 980044 | Washer | 1 |
| 54 | 924033 | Lock Nut | 2 |
| 55 | 70910407 | Screw | 1 |
| 56 | 924029 | Lock Nut | 1 |
| 57 | 70910806 | Screw | 1 |
| 58 | 70910802 | Screw | 2 |
| 61 | 924043 | Lock Nut | 2 |
| 62 | 964101 | Screw | 2 |
| 63 | 980039 | Washer | 1 |
| 64 | 70240001 | Stop Ring | 1 |



26C - DRAWING 07

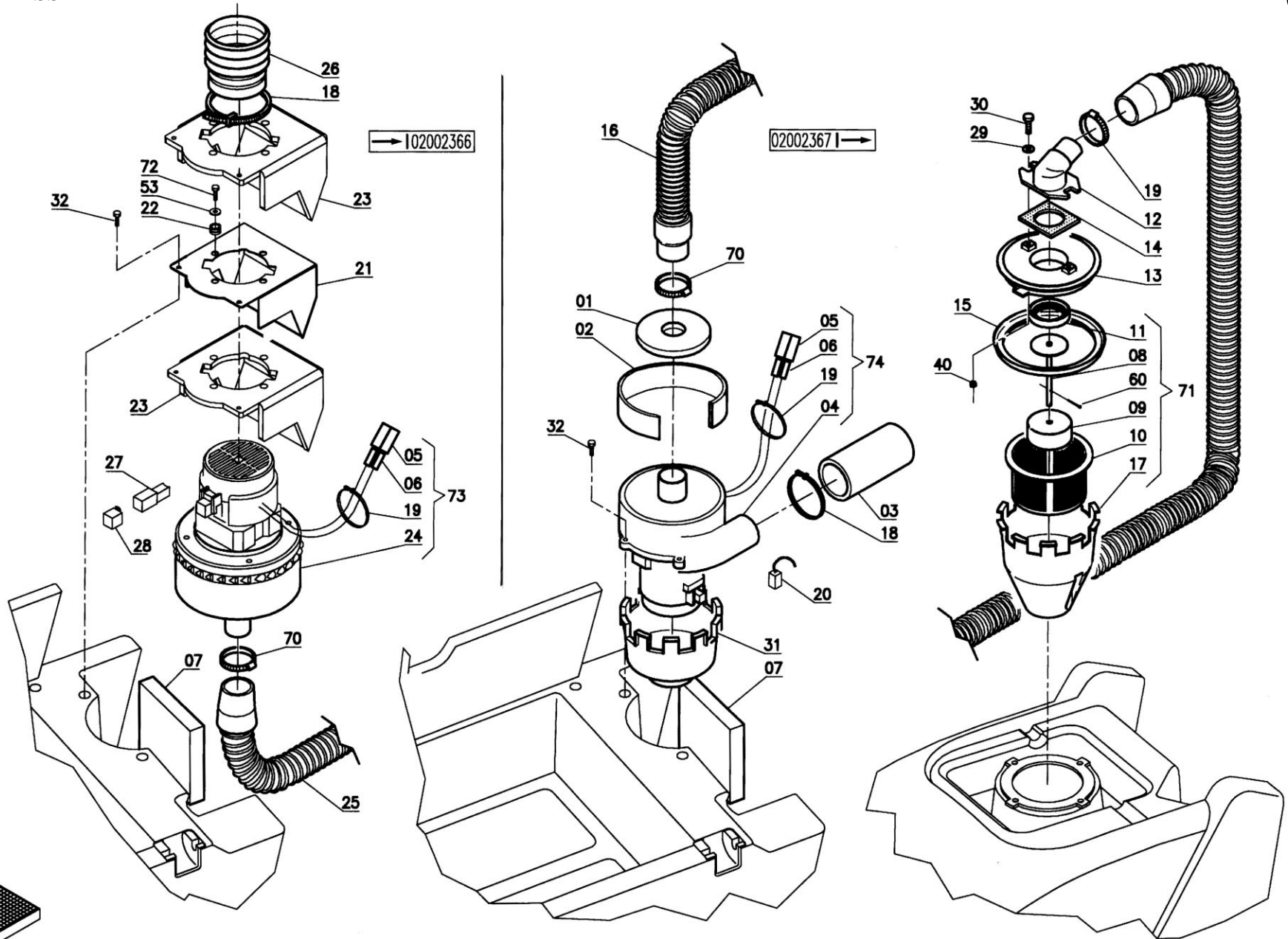
| Item | Part Number | Description | Qty. |
|------|-------------|----------------------|------|
| *1 | 40411010 | Pin | 2 |
| *2 | 67020080 | Wheel | 2 |
| *3 | 71405002 | Spring Pin | 5 |
| *4 | 41811060 | Plate | 5 |
| *5 | 68811030 | Blade | 1 |
| *6 | 67711050 | Rear Rubber 33 Shore | 1 |
| 6A | 67711060 | Rear Rubber 40 Shore | 1 |
| *7 | 69607090 | Squeegee Body | 1 |
| *8 | 67711040 | Front Rubber | 1 |
| *9 | 68811020 | Blade | 1 |
| *10 | 40211050 | Stud Bolt | 1 |
| *11 | 40211040 | Stud Bolt | 1 |
| *12 | 69210600 | Spring | 1 |
| *13 | 40212010 | Knob | 1 |
| 14 | 67512040 | Suction Hose | 1 |
| *50 | 70911030 | Screw | 2 |
| *51 | 71110002 | Washer | 4 |
| *52 | 40411020 | Special Washer | 4 |
| *53 | 71021002 | Lock Nut | 2 |
| *54 | 71020603 | Lock Nut | 6 |
| *55 | 70900607 | Screw | 6 |
| *56 | 980044 | Washer | 1 |
| * | A9607008 | Squeegee Assembly | |



26C - DRAWING 08

| Item | Part Number | Description | Qty. |
|------|-----------------|----------------|------|
| 1 | 40212240 | Shaft | 1 |
| 2 | 882043 | Holdfast | 4 |
| 3 | 74610001 | Fork | 1 |
| 4 | 74620001 | Pin | 1 |
| 5 | 40212210 | Lever | 1 |
| 6 | 40312270 | Pin | 1 |
| 7 | 74100007 | Knob | 1 |
| 8 | 40712190 | Arm | 1 |
| 9 | 69101210 | Bushing | 2 |
| 10 | 67010050 | Wheels | 2 |
| 11 | 40212180 | Support Wheels | 1 |
| 12 | 74006011 | Wing Nut | 2 |
| 13 | 40712200 | Adjuster | 2 |
| 14 | 69210680 | Spring | 2 |
| 15 | 40212190 | Support Wheels | 1 |
| 16 | 40712110 | Support | 1 |
| 17 | 69220160 | Spring | 1 |
| 18 | 40716500 | Support | 1 |
| 19 | 40212250 | Lever | 1 |
| 20 | 40212270 | Spring Pin | 1 |
| 21 | 40712120 | Tie Rod | 1 |
| 22 | 69220530 | Spring | 1 |
| 23 | 74008002 | Knob | 1 |
| 24 | 887341 | Seeger Ring | 1 |
| 25 | 69001180 | Idle Wheel | 1 |
| 26 | 69109020 | Bushing | 1 |
| 27 | 40712170 | Adjuster | 1 |
| 28 | 69210660 | Spring | 1 |
| 29 | 40712180 | Bushing | 1 |
| 30 | 69101230 | Bushing | 2 |
| 31 | 69210530 | Spring | 2 |
| 32 | 40212230 | Shaft | 1 |
| 33 | 40212220 | Roller | 2 |

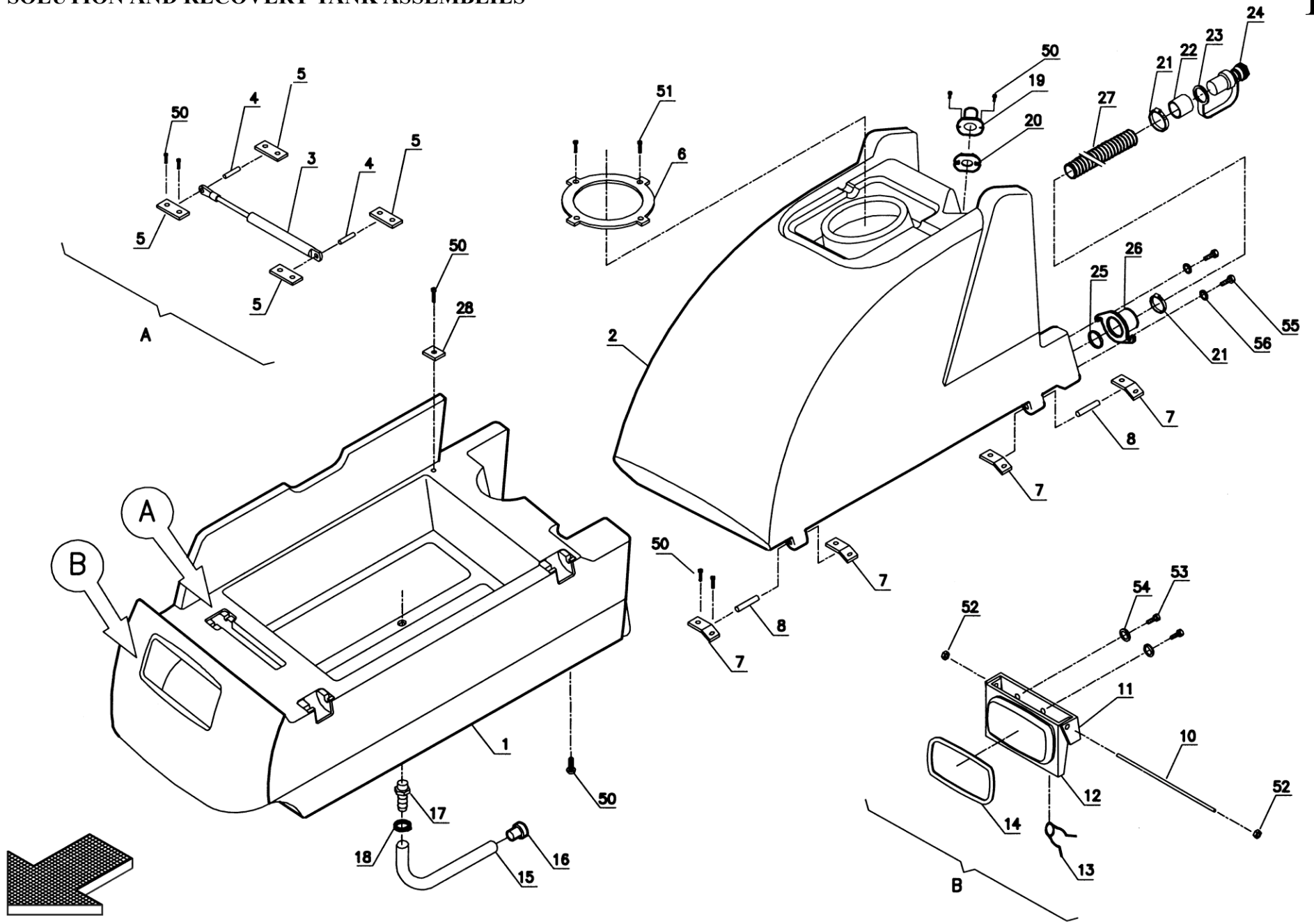
| Item | Part Number | Description | Qty. |
|------|-----------------|-------------|------|
| 34 | 69101270 | Bushing | 2 |
| 50 | 70900805 | Screw | 2 |
| 51 | 70910622 | Screw | 4 |
| 52 | 70910806 | Screw | 3 |
| 53 | 70910816 | Screw | 2 |
| 54 | 964119 | Screw | 1 |
| 55 | 70911028 | Screw | 1 |
| 56 | 964133 | Screw | 1 |
| 57 | 964085 | Screw | 1 |
| 60 | 924053 | Nut | 1 |
| 62 | 924026 | Lock Nut | 4 |
| 63 | 924033 | Lock Nut | 5 |
| 65 | 71020804 | Lock Nut | 2 |
| 66 | 71021001 | Lock Nut | 1 |
| 67 | 924055 | Lock Nut | 1 |
| 70 | 980042 | Washer | 8 |
| 71 | 980039 | Washer | 6 |
| 72 | 71010603 | Nut | 2 |
| 73 | 71312002 | Washer | 1 |
| 75 | 980064 | Washer | 4 |
| 76 | 71110005 | Washer | 2 |
| 77 | 71112005 | Washer | 2 |
| 78 | 980044 | Washer | 1 |
| 79 | 980069 | Washer | 1 |
| 80 | 882130 | Clip | 1 |
| 81 | 71116003 | Washer | 1 |
| 82 | 71011601 | Nut | 1 |
| 83 | 71108013 | Washer | 6 |
| 84 | 71108005 | Washer | 2 |
| 85 | 70910605 | Screw | 2 |
| 86 | 71106009 | Lock Washer | 2 |
| 87 | 71106005 | Washer | 2 |
| 88 | 71112002 | Washer | 2 |



26C - DRAWING 09

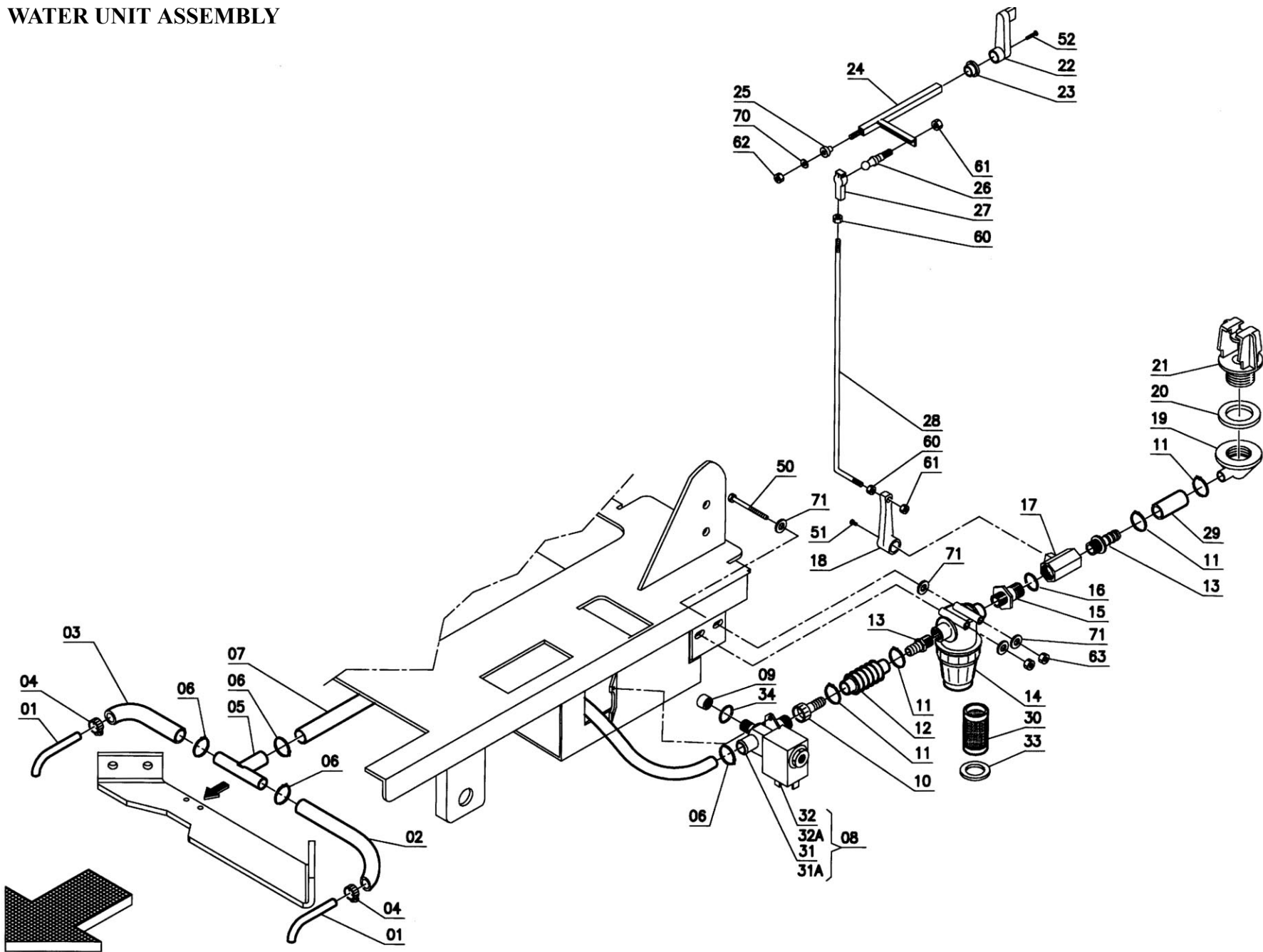
| Item | Part Number | Description | Qty. |
|------|-----------------|--------------------|------|
| 1 | 67101080 | Deadening Hose | 1 |
| 2 | 67101090 | Deadening Hose | 1 |
| 3 | 67532110 | Deadening Hose | 1 |
| 4 | 68120450 | Vacuum Motor | 1 |
| 5 | 72700003 | Connector | 2 |
| 6 | 72700004 | Contact | 2 |
| 7 | 67101470 | Deadening | 1 |
| 8 | 40336220 | Rod | 1 |
| 9 | 883344 | Float | 1 |
| 10 | 66500010 | Filter | 1 |
| 11 | 883442 | Gasket | 1 |
| 12 | 882442 | Opening | 1 |
| 13 | 886841 | Cover | 1 |
| 14 | 883446 | Gasket | 1 |
| 15 | 883441 | Gasket | 1 |
| 16 | 67511400 | Vacuum Hose | 1 |
| 17 | 888551 | Shroud | 1 |
| 18 | 74210003 | Clamp | 1 |
| 19 | 74210004 | Clamp | 1 |
| 20 | 71707111 | Carbon Brush Motor | 2 |

| Item | Part Number | Description | Qty. |
|------|-----------------|-----------------------|------|
| 21 | 40741100 | Panel | 1 |
| 22 | 883830 | Grommet | 4 |
| 23 | 67101460 | Deadening | 2 |
| 24 | 68130490 | Vacuum Motor | 1 |
| 25 | 67512040 | Vacuum Hose | 1 |
| 26 | 67401060 | Shroud | 1 |
| 27 | 71708121 | Carbon Brush Motor | 2 |
| 28 | 72901050 | Protection Cap | 2 |
| 29 | 40247030 | Washer | 2 |
| 30 | 70910404 | Screw | 2 |
| 31 | 40241560 | Cover | 1 |
| 32 | 70944809 | Screw | 2 |
| 40 | 71020502 | Lock Nut | 2 |
| 53 | 980040 | Washer | 4 |
| 60 | 925603 | Split Pin | 1 |
| 70 | 74210004 | Clamp | 2 |
| 71 | A6503001 | Filter Assembly | 1 |
| 72 | 70944802 | Screw | 4 |
| 73 | 68130520 | Vacuum Motor Assembly | 1 |
| 74 | 68120460 | Vacuum Motor Assembly | 1 |



26C - DRAWING 10

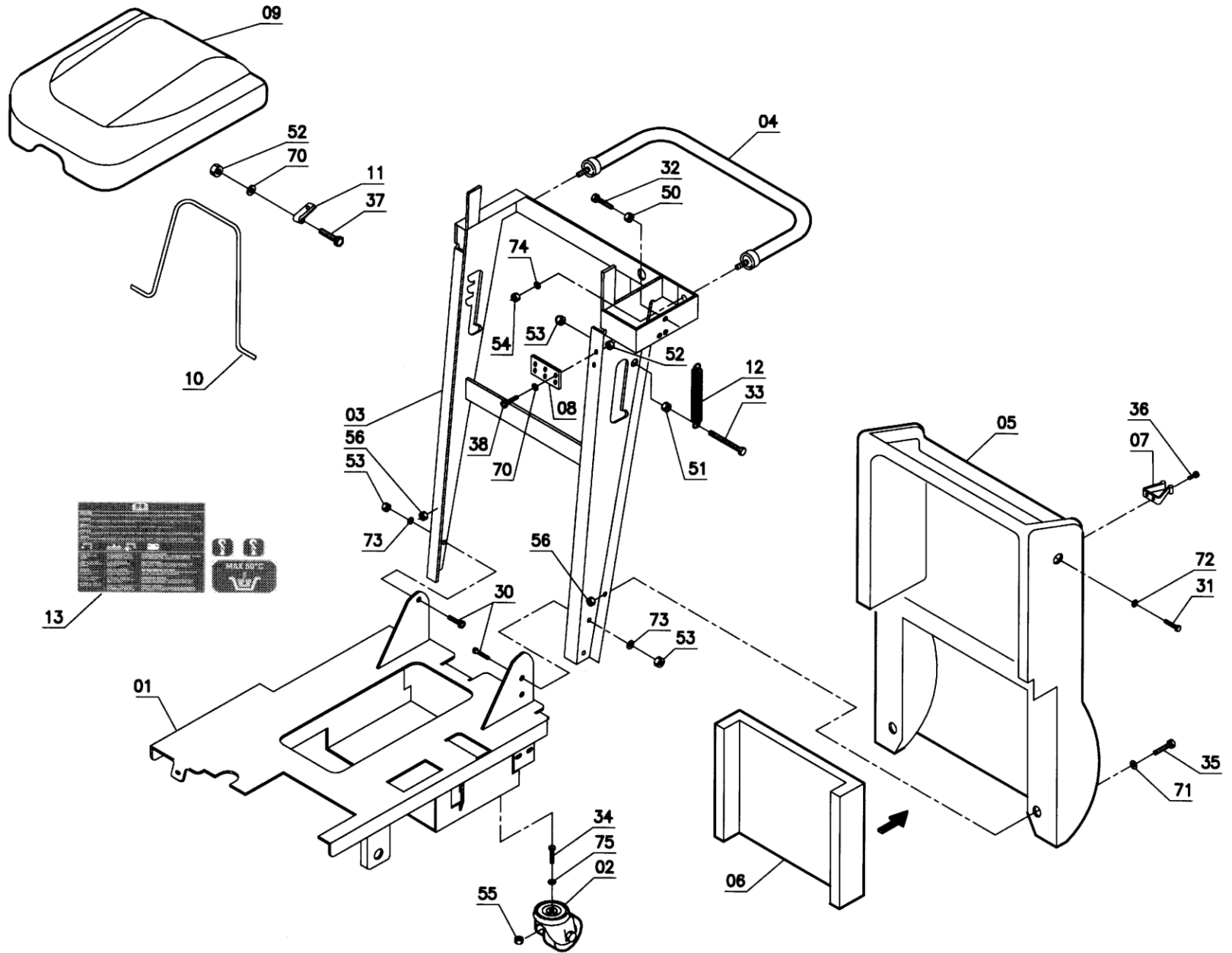
| Item | Part Number | Description | Qty. |
|------|-------------|--------------------|------|
| 1 | 69711030 | Solution Tank | 1 |
| 2 | 69711040 | Recovery Tank | 1 |
| 3 | 74809003 | Gas Shock Absorber | 1 |
| 4 | 40236230 | Pin | 2 |
| 5 | 40236250 | Plaque | 4 |
| 6 | 42036030 | Flange | 1 |
| 7 | 40236260 | Plaque | 4 |
| 8 | 40236240 | Pin | 2 |
| 10 | 40236220 | Rod | 1 |
| 11 | 40236210 | Plaque | 1 |
| 12 | 40236200 | Cover | 1 |
| 13 | 69210610 | Spring | 1 |
| 14 | 67406130 | Gasket | 1 |
| 15 | 67523720 | Pipe | 1 |
| 16 | 886852 | Cap | 1 |
| 17 | 74540002 | Connector | 1 |
| 18 | 74210001 | Clamp | 1 |
| 19 | 40741010 | Fitting | 1 |
| 20 | 883446 | Gasket | 1 |
| 21 | 74220059 | Clamp | 1 |
| 22 | 67300080 | Pipe | 1 |
| 23 | 40741020 | Clamp | 1 |
| 24 | 41036060 | Plug Exhaust Pipe | 1 |
| 25 | 70800021 | O-Ring | 1 |
| 26 | 42336180 | Fitting | 1 |
| 27 | 67512530 | Exhaust Pipe | 1 |
| 28 | 72911003 | Support Plate | 1 |
| 50 | 70945001 | Screw | 20 |
| 51 | 964063 | Screw | 4 |
| 52 | 924057 | Nut | 2 |
| 53 | 964109 | Screw | 2 |
| 54 | 71106006 | Washer | 2 |
| 55 | 964060 | Screw | 2 |
| 56 | 71108013 | Washer | 2 |



26C - DRAWING 11

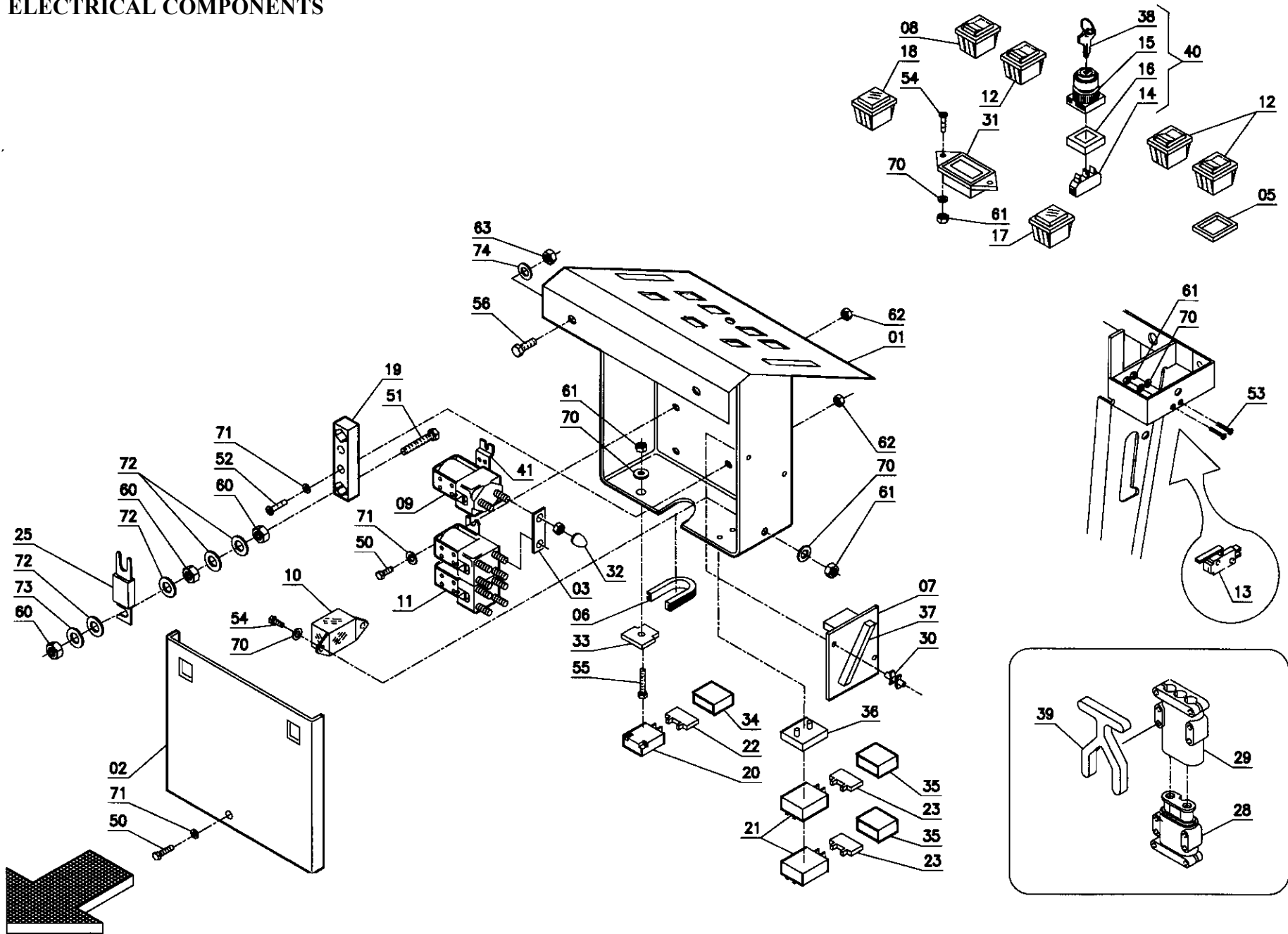
| Item | Part Number | Description | Qty. |
|------|-----------------|----------------|------|
| 1 | 40701170 | Pipe | 2 |
| 2 | 67523100 | Pipe | 1 |
| 3 | 67522510 | Hose | 1 |
| 4 | 74520056 | Clamp | 2 |
| 5 | 74530003 | Pipe | 1 |
| 6 | 74210004 | Clamp | 4 |
| 7 | 67523050 | Hose | 1 |
| 8 | 68532050 | Solenoid Valve | 1 |
| 9 | 74550011 | Cap | 1 |
| 10 | 74540034 | Connector | 1 |
| 11 | 74210001 | Clamp | 4 |
| 12 | 40237100 | Bellows | 1 |
| 13 | 74540035 | Connector | 2 |
| 14 | 66500490 | Filter | 1 |
| 15 | 74560022 | Nipple | 1 |
| 16 | 70800002 | O-Ring | 1 |
| 17 | 74510001 | Valve | 1 |
| 18 | 42337020 | Lever, Valve | 1 |
| 19 | 74520025 | Ring Nut | 1 |
| 20 | 70800003 | O-Ring | 1 |
| 21 | 883332 | Base | 1 |
| | | | |

| Item | Part Number | Description | Qty. |
|------|-----------------|---------------------|------|
| 22 | 40736180 | Lever, Valve | 1 |
| 23 | 69102280 | Bushing | 1 |
| 24 | 40337060 | Lever, Valve | 1 |
| 25 | 69101240 | Bushing | 1 |
| 26 | 74400013 | Pin | 1 |
| 27 | 74400007 | Adjustable Head | 1 |
| 28 | 40237080 | Rod | 1 |
| 29 | 67523380 | Hose | 1 |
| 30 | 66500500 | Filter Cartridge | 1 |
| 31 | 68510090 | Solenoid Valve Body | 1 |
| 32 | 68522070 | Coil | 1 |
| 33 | 67406160 | O-Ring | 1 |
| 34 | 70800020 | O-Ring | 1 |
| 50 | 964108 | Screw | 2 |
| 51 | 964127 | Screw | 1 |
| 52 | 964133 | Screw | 1 |
| 60 | 964046 | Nut | 2 |
| 61 | 924032 | Lock Nut | 2 |
| 62 | 924026 | Lock Nut | 1 |
| 63 | 924033 | Lock Nut | 2 |
| 70 | 980042 | Washer | 1 |
| 71 | 980039 | Washer | 5 |



26C - DRAWING 12

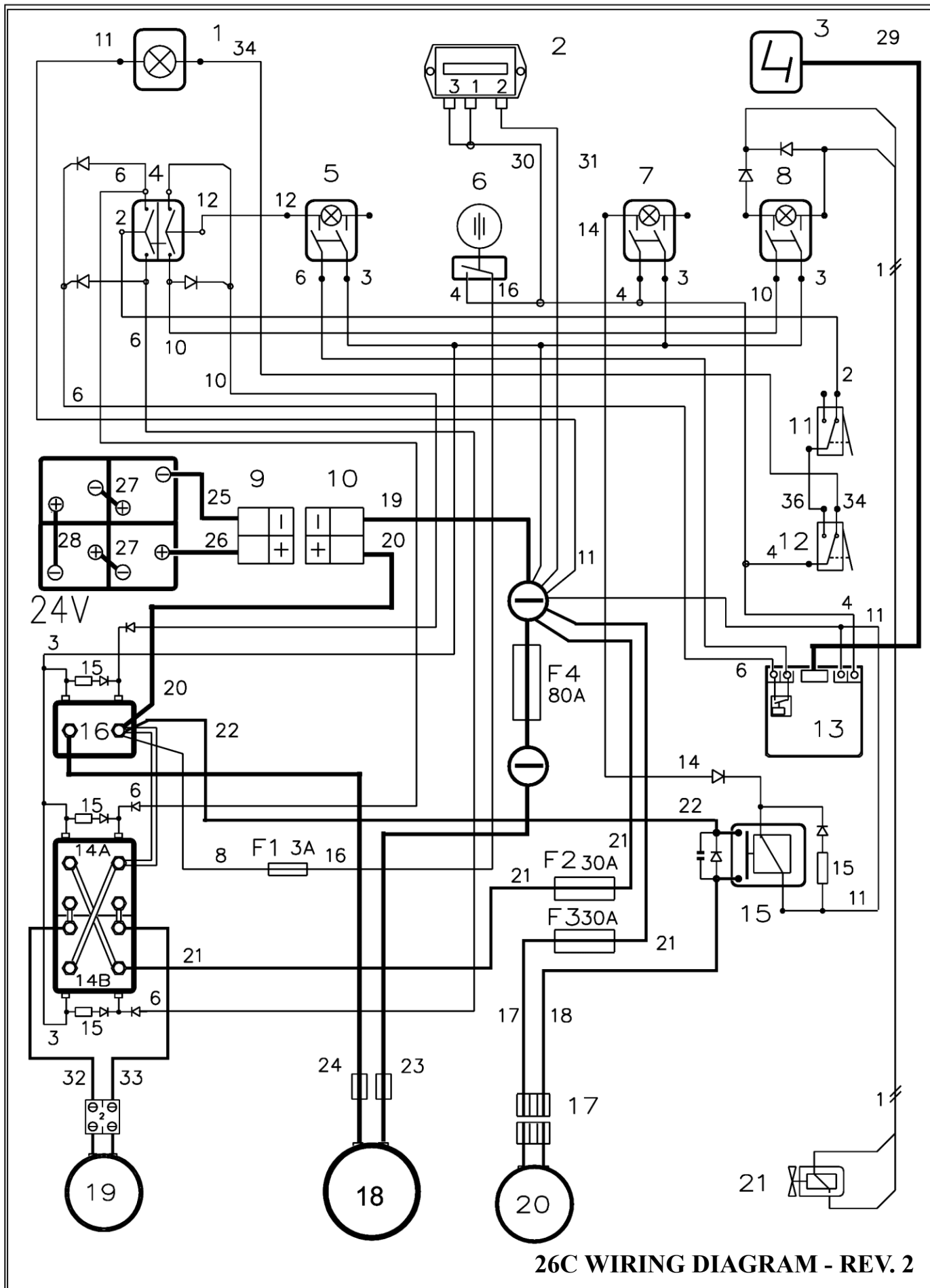
| Item | Part Number | Description | Qty. |
|------|-----------------|----------------|------|
| 1 | 69902100 | Frame | 1 |
| 2 | 67050110 | Castor Wheel | 2 |
| 3 | 69902200 | Rear Frame | 1 |
| 4 | 40247040 | Handle Bar | 1 |
| 5 | 40746210 | Cover | 1 |
| 6 | 67101450 | Deadening | 1 |
| 7 | 882440 | Hook | 1 |
| 8 | 40251050 | Support | 1 |
| 9 | 40246240 | Bonnet | 1 |
| 10 | 40246270 | Cover Hinge | 1 |
| 11 | 72902011 | Cable Fastener | 2 |
| 12 | 888350 | Spring | 1 |
| 13 | 66401326 | Decal | 1 |
| 30 | 70900801 | Screw | 4 |
| 31 | 70910620 | Screw | 2 |
| 32 | 964083 | Screw | 1 |
| 33 | 70910821 | Screw | 1 |
| 34 | 70911202 | Screw | 2 |
| 35 | 70930501 | Screw | 2 |
| 36 | 70944201 | Screw | 2 |
| 37 | 70950401 | Screw | 2 |
| 38 | 70950405 | Screw | 2 |
| 50 | 924048 | Nut | 1 |
| 51 | 71010807 | Nut | 1 |
| 52 | 924029 | Lock Nut | 4 |
| 53 | 924033 | Lock Nut | 5 |
| 54 | 924055 | Lock Nut | 2 |
| 55 | 71021202 | Lock Nut | 2 |
| 56 | 71050503 | Nut | 2 |
| 70 | 71104002 | Washer | 4 |
| 71 | 980060 | Washer | 2 |
| 72 | 980040 | Washer | 2 |
| 73 | 980044 | Washer | 4 |
| 74 | 71110012 | Washer | 2 |
| 75 | 980046 | Washer | 2 |



26C - DRAWING 13

| Item | Part Number | Description | Qty. |
|------|-------------|-----------------------|------|
| 1 | 40251030 | Box | 1 |
| 2 | 40251040 | Cover | 1 |
| 3 | 41251090 | Bridge | 1 |
| 4 | 66401335 | Decal | 1 |
| 5 | 883440 | Gasket | 6 |
| 6 | 67402220 | Gasket | 1 |
| 7 | 67903001 | Check Card Batteries | 1 |
| 8 | 68301010 | Switch | 1 |
| 9 | 68420120 | Remote Control Switch | 1 |
| 10 | 887550 | Relay | 1 |
| 11 | 68420610 | Remote Control Switch | 1 |
| 12 | 911172 | Switch | 3 |
| 13 | 72105009 | Microswitch | 1 |
| 14 | 72107005 | Contact | 1 |
| 15 | 72199015 | Switch with Key | 1 |
| 16 | 72199018 | Flange | 1 |
| 17 | 72300117 | Battery Warning Light | 1 |
| 18 | 72300119 | Battery Warning Light | 1 |
| 19 | 72400008 | Fuseholder | 1 |
| 20 | 72400011 | Fuseholder | 1 |
| 21 | 72400012 | Fuseholder | 2 |
| 22 | 72400301 | Fuse | 1 |
| 23 | 72403003 | Fuse | 2 |
| 25 | 72408001 | Fuse | 1 |
| 28 | 72700013 | Connector, Female | 1 |
| 29 | 72700014 | Connector, Male | 1 |
| 30 | 72903009 | Coupler | 2 |

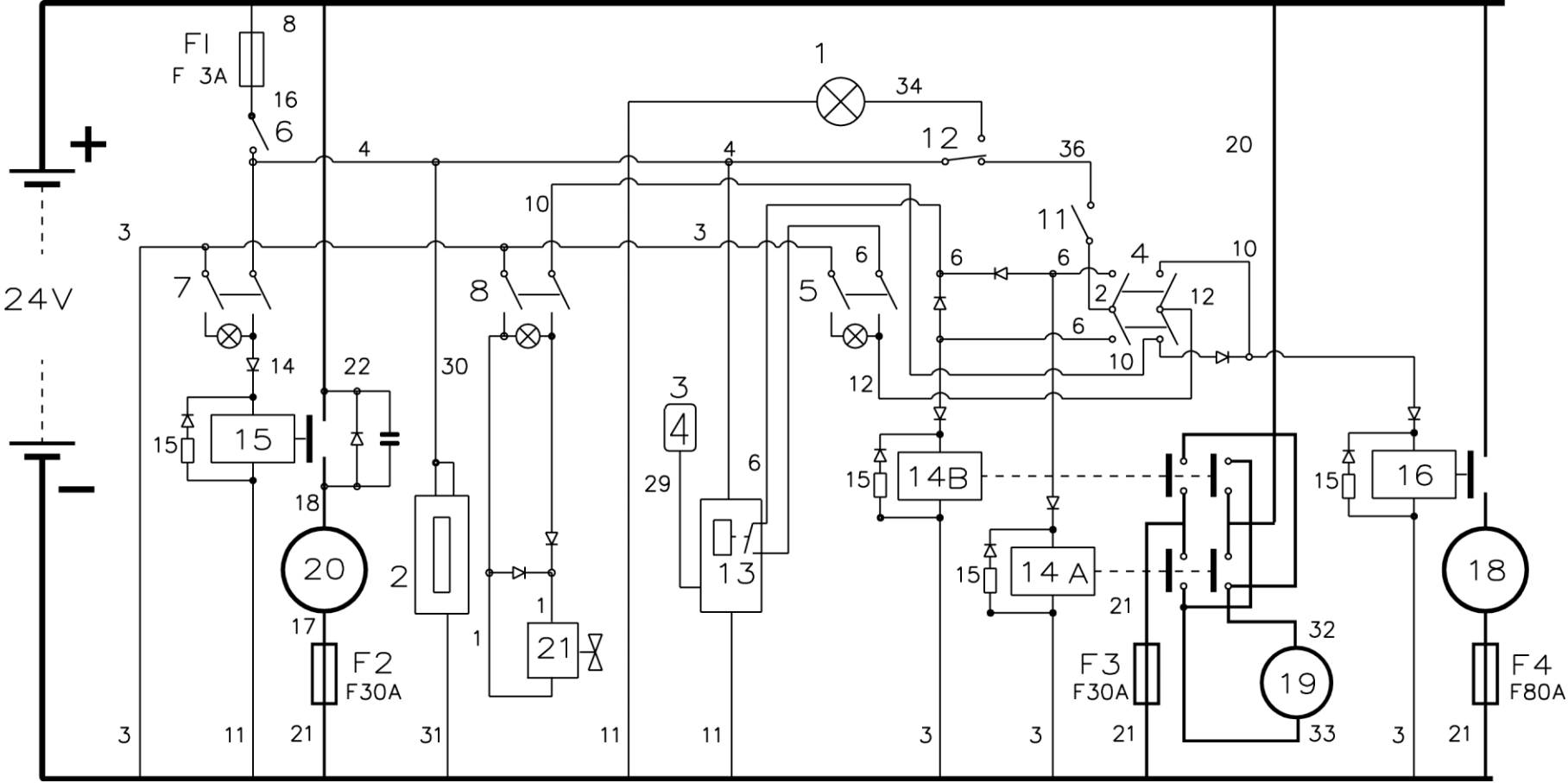
| Item | Part Number | Description | Qty. |
|------|-----------------|---------------------|------|
| 31 | 72904002 | Hour Meter | 1 |
| 32 | 72913006 | Cover | 8 |
| 33 | 72916001 | Plaque | 1 |
| 34 | 72916002 | Cover | 1 |
| 35 | 72916003 | Cover | 2 |
| 36 | 72916004 | Plaque | 1 |
| 37 | 67406010 | Gasket | 1 |
| 38 | 72908017 | Key | 1 |
| 39 | 72700015 | Lever for Connector | 1 |
| 40 | 72199017 | Switch | 1 |
| 41 | 72906002 | Support | 1 |
| 50 | 70910401 | Screw | 4 |
| 51 | 964106 | Screw | 2 |
| 52 | 70920406 | Screw | 2 |
| 53 | 964101 | Screw | 2 |
| 54 | 70940307 | Screw | 3 |
| 55 | 70970301 | Screw | 1 |
| 56 | 964116 | Screw | 2 |
| 60 | 71010805 | Nut Brass | 7 |
| 61 | 964043 | Lock Nut | 6 |
| 62 | 964029 | Lock Nut | 6 |
| 63 | 924026 | Lock Nut | 2 |
| 70 | 980054 | Washer | 6 |
| 71 | 980057 | Washer | 6 |
| 72 | 71108004 | Washer | 12 |
| 73 | 980053 | Lock Washer | 2 |
| 74 | 980042 | Washer | 2 |



26C WIRING DIAGRAM - REV. 2

FUNCTIONAL SCHEMATIC

26C



ELECTRICAL COMPONENTS

| Item | Part Number | Description |
|------|-------------|---|
| 1 | 72300119 | Indicator Lamp Red Handbrake |
| 2 | 72904002 | Hourmeter Digital (Optional) |
| 3 | 72300117 | Indicator Battery Control |
| 4 | 68301010 | Drive Commutator |
| 5 | 911172 | Bipolar Switch Green 24V Brush Motor |
| 6 | 72107005 | Contact Key On/Off |
| 7 | 911172 | Bipolar Switch Green Vacuum Motor |
| 8 | 911172 | Bipolar Switch Green 24V Solenoid Valve |
| 9 | 72700013 | Female Connector 80A |
| 10 | 72700014 | Male Connector 80A |
| 11 | 72105009 | Microswitch |
| 12 | 72105009 | Microswitch |
| 13 | 67903001 | Batteries Check Card |
| 14A | 68420610 | Remote Control Switch Double Forward |
| 14B | 68420610 | Remote Control Switch Double Backward |
| 15 | 887550 | Relay 24V 30A Vacuum Motor |
| 16 | 68420120 | Remote Control Switch Brush Motor |
| 17 | 72700007 | Double Connector 30A Vac Motor |
| 18 | 68220230 | Brush Motor 24V 750W |
| 19 | 68220240 | Traction Motor 24V 250W |
| 20A | 68120460 | Vacuum Motor 24V |
| 21 | 68522070 | Coil Solenoid Valve 24V 1/2 ACL |
| F1 | 72400301 | Fuse 3A Faston General Key |
| F2 | 72403001 | Fuse 30A Faston Traction Motor |
| F3 | 72403001 | Fuse 30A Faston Vacuum Motor |
| F4 | 72408001 | Fuse 80A Brush Motor |

CABLES

| Item | Part Number | Description |
|-------|-------------|---|
| 1 | 68007021 | 2 Cables Blue-Brown with Diodes -1- |
| 2 | 68007022 | Cable Red -2- |
| 3 | 68007023 | 6 Cables Black -3- |
| 4 | 68007024 | 3 Cables Red -4- |
| 6 | 68007025 | 4 Cables Red-Green with Diodes -6- |
| 8 | 68007033 | Cable Red -8- |
| 10 | 68007026 | 2 Cables Blue-Red with Diodes -10- |
| 11 | 68007027 | 3 Cables Black -11- |
| 12 | 68007028 | Cable Red -12- |
| 14 | 68002022 | Cable Red with Diode -14- |
| 15 | 72500011 | Diode and Resistances with Terminal |
| 16 | 68002023 | Cable -16- |
| 17/18 | 68002027 | Cables Black-Red + Conn. 30A -17/18- |
| 19/20 | 68007011 | Cables Black-Red + Conn. 80A -19/20- |
| 21 | 68007029 | Cable Black -21- |
| 22 | 68007012 | Cable Red with Diode and Condenser -22- |
| 23/24 | 68007017 | Cables Black-Red -23/24- |
| 25/26 | 68007016 | Cable Black-Red+Battery Terminals -25/26- |
| 27 | 68000153 | Cable Black Battery Bridge-27-OPTIONAL |
| 28 | 68000154 | Cable Black Battery Bridge-28-OPTIONAL |
| 29 | 68000892 | Cable Display Battery Signal |
| 30 | 68007013 | Cable Red with Bridge -30- OPTIONAL |
| 31 | 68007014 | Cable Black -31- OPTIONAL |
| 32/33 | 68007030 | 2 Cables Red-Black with Terminal -32/33- |
| 34 | 68007031 | Cable Red -34- |
| 36 | 68007032 | Cable Red -36- |

WARRANTY POLICY PACIFIC LIMITED WARRANTY

The **Pacific** ScrubMaster has been manufactured, tested and inspected in accordance with specific engineering requirements. This machine is **WARRANTED** to be free from defects in workmanship and materials for periods as follows from the date of purchase.

Ten (10) Years Parts, One (1) Year Labor – Polyethylene Components
Five (5) Years Parts, One (1) Year Labor – Main Frame
Two (2) Years Parts, One (1) Year Labor – Brush Drive Motors
One (1) Year Parts & Labor – All other components unless excluded below

Travel time for warranty repair is authorized for a period of ninety (90) days following the date of sale to the end user, with a maximum of three (3) hours per claim.

This warranty extends to the original user/purchaser and only when used, operated and maintained in accordance with **Pacific** Operating and Maintenance instructions.

This warranty does not apply to certain wear parts and accessories of the machine such as electrical cords, carbon motor brushes, floor brushes, belts, hoses, tools, squeegee blades, etc., nor does it apply to damage or failure caused by improper use, abuse or neglect. Warranty credit or replacement of return parts including motors, pumps, etc., is subject to incoming inspection of those items.

To secure repair under this warranty, the following procedure should be taken:

1. After the expiration of the ninety (90) day travel time warranty period, the customer is responsible for warranty travel payment or the inoperative machine or warranted parts must be delivered to the authorized dealer with shipping and delivery charges prepaid. If unable to locate the Dealer, you may contact **Pacific** at the address listed herein for the location of the nearest **Pacific** repair center or agent or for other instructions pertaining to your warranty difficulty.
2. Upon compliance with the above warranty procedure, all warranted repairs will be completed at no additional charge or cost to the user.
3. Only **Pacific** or its authorized dealers and agents may make no charge warranty repairs on this product. All others do so at their own risk.

This warranty limits **Pacific** liability to the repair of the product and/or warranted parts replacement and does not include incidental or consequential damages arising from the use of a **Pacific** machine whether defective or not.

BATTERY WARRANTY

In addition to the terms above, any original equipment Pacific Steamex Battery which becomes unserviceable under normal use within a period of ninety (90) days from date of sale to the original user will be repaired or replaced with one of equal specification at our option, F.O.B. any authorized Pacific Steamex Sales or Service Branch, with no charge to user, except transportation costs. After the expiration of the above ninety (90) day period, any battery which fails under normal use will be adjusted to the original user with a new battery of equal specification on a twelve (12) month pro rata basis from the date of purchase. Adjustment will be determined using the then current list price, plus transportation costs. Warranty is rendered null and void if battery is not kept filled to the proper level with DISTILLED WATER.

This warranty is in lieu of all other expressed or implied warranties and is extended to the original purchaser/user.

PACIFIC

2259 Sheridan

Muskegon, Michigan 49442

Ph: (800) 968-1332 Fax: (231) 773-1642