

# ScrubMaster 26R

## Parts List

---

The contents of this manual are based on the latest product information available at the time of publication. Pacific Steamex reserves the right to make changes or improvements to its machines without notice.

For new books write to:

***Pacific Steamex, Inc.***  
*2259 S. Sheridan*  
*Muskegon, MI 49442-6252*

**FOR YOUR CONVENIENCE, RECORD THE FOLLOWING INFORMATION:**

**MODEL** \_\_\_\_\_

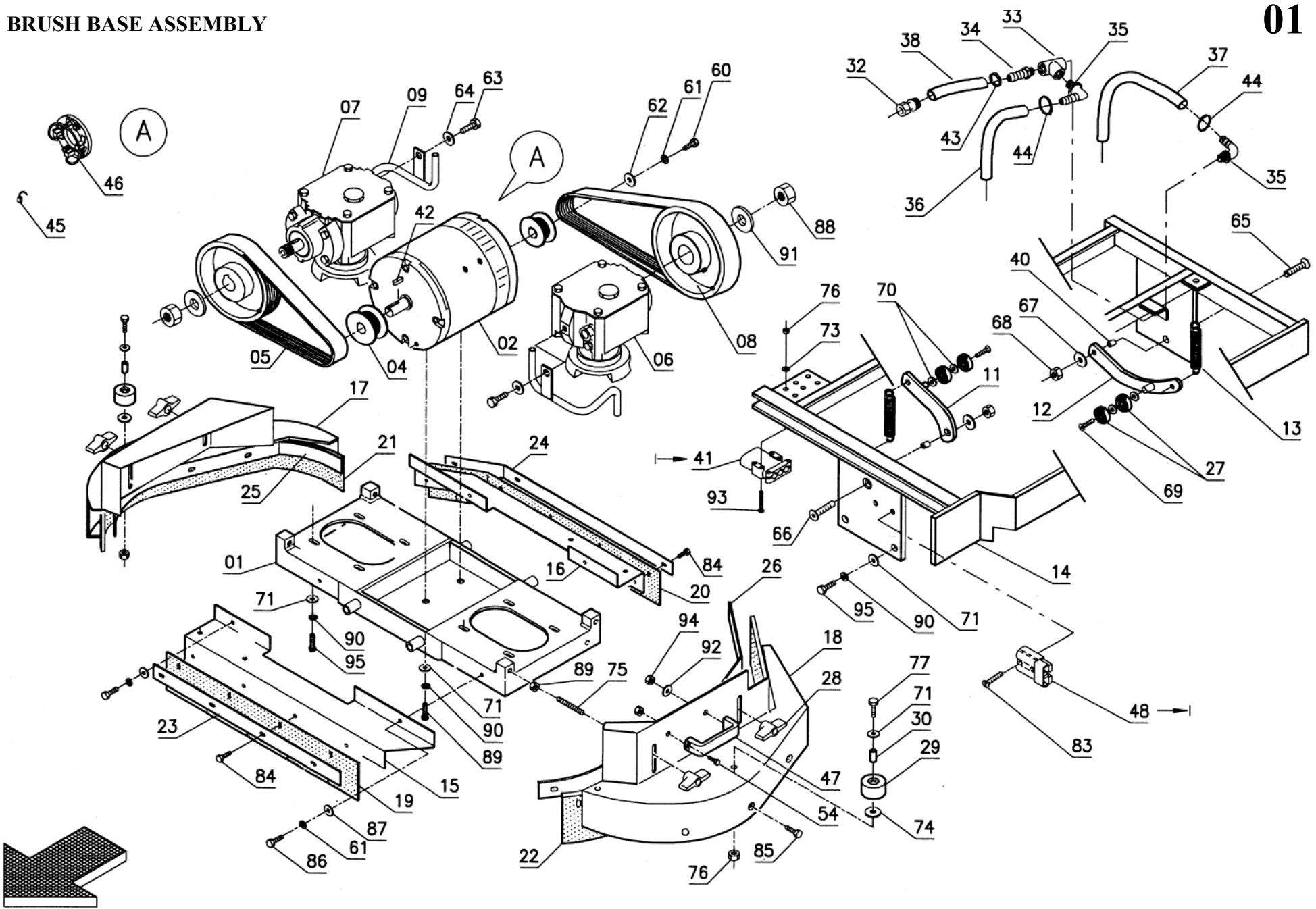
**SERIAL NUMBER** \_\_\_\_\_

**PART NUMBER** \_\_\_\_\_

**DATE PURCHASED** \_\_\_\_\_

BRUSH BASE ASSEMBLY

01



## 26R - DRAWING 01

Item	Part Number	Description	Qty.
1	69822030	Brushes Base	1
2	68230240	Motor	1
4	69420210	Pulley	2
5	70130010	Belt	2
6	A2050011	Reduction Gear Assembly, Left	1
7	A2050012	Reduction Gear Assembly, Right	1
8	69420240	Pulley	2
9	41801180	Pipe	2
11	42201280	Tightener	1
12	42201290	Tightener	1
13	69220460	Spring	2
14	42201210	Coupling	1
15	42201240	Support	1
16	42201260	Support	1
17	42201250	Support	1
18	42201270	Support	1
19	67622300	Support	1
20	67622320	Support	1
21	67622310	Support	1
22	67622330	Support	1
23	68822200	Blade	1
24	68822220	Blade	1
25	68822210	Blade	1
26	68822230	Blade	1
27	902032	Bearing	4
28	924024	Wing Nut	4
29	889742	Wheel	2
30	69104050	Bushing	2
32	74570004	Pipe	1
33	74530001	Pipe	1
34	40337040	Connector	1
35	883349	Connector	2
36	67523290	Pipe	1
37	67523280	Pipe	1
38	67522380	Hose	1
40	69105030	Bushing	2
41	72700014	Connector Male	1

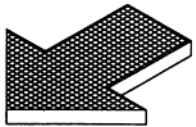
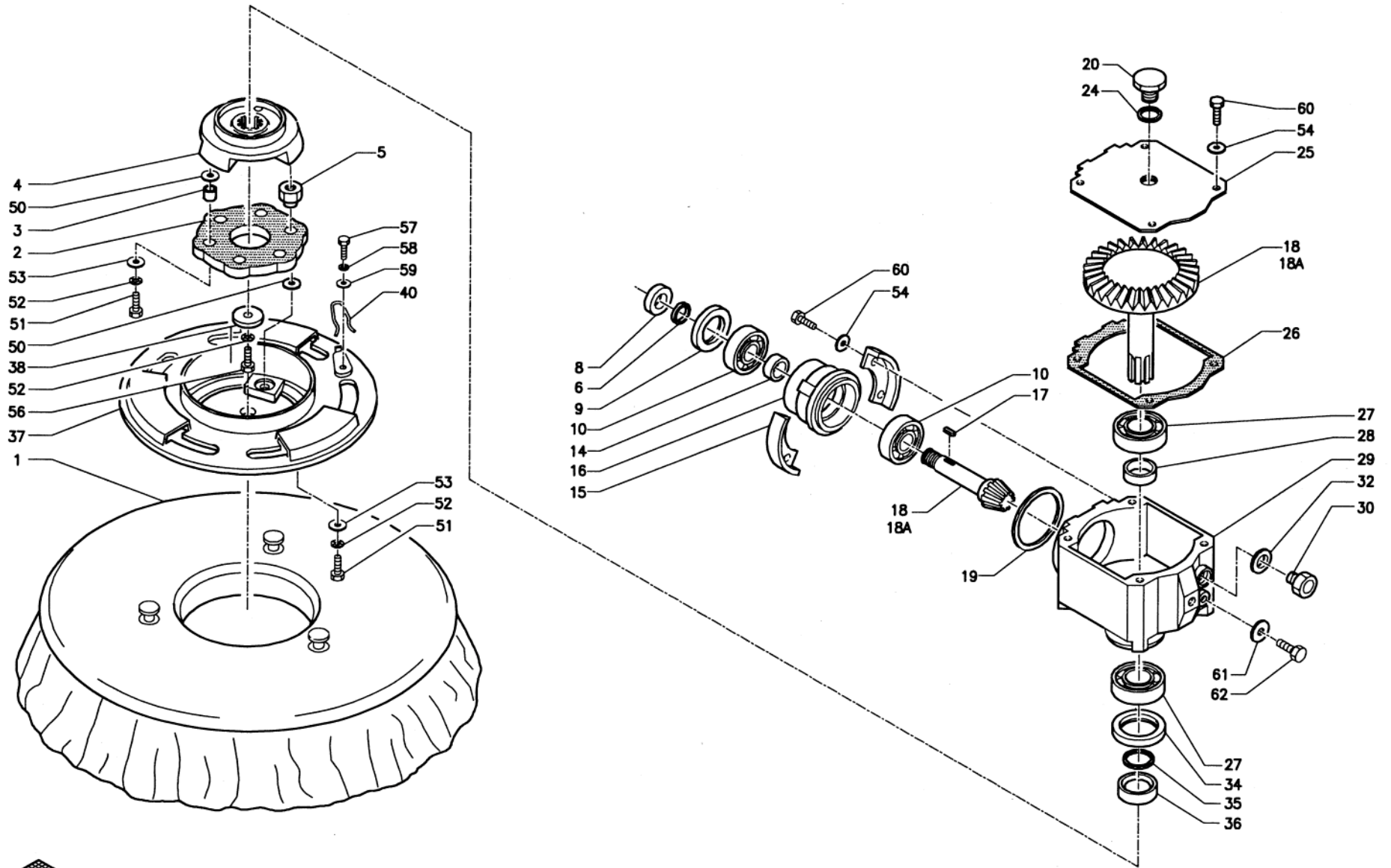
Item	Part Number	Description	Qty.
42	70406064	Key	2
43	74220061	Clamp	1
44	74210001	Clamp	2
45	71710182	Carbon Brush Motor	4
46	72901015	Carbon Brush Holder Assy	1
47	74100302	Handle	1
48	72700010	Connector	1
60	70910307	Screw	
61	71106009	Lock Washer	
62	980065	Washer	
63	70911001	Screw	
64	980064	Washer	
65	70911029	Screw	
66	70981004	Screw	
67	71110005	Washer	
68	924055	Lock Nut	
69	70980809	Screw	
70	71115002	Washer	
71	71180003	Washer	
73	71104003	Washer	
74	980057	Washer	
75	70960806	Dowel	
76	924029	Lock Nut	
77	964085	Screw	
83	70940304	Screw	
84	70910504	Screw	
85	964110	Screw	
86	70910602	Screw	
87	71106006	Washer	
88	71021601	Lock Nut	
89	964086	Screw	
90	980069	Washer	
91	71116002	Washer	
92	980062	Washer	
93	70910406	Screw	
94	924050	Lock Nut	
95	964090	Screw	



## 26R - DRAWING 02

Item	Part Number	Description	Qty.
1	42207380	Plaque	2
2	74610002	Fork	1
3	42203310	Pin	1
4	69106110	Bushing	1
5	40707120	Coupling	1
6	42207200	Tunnel	1
7	40707030	Plaque	2
8	40707040	Shaft	2
9	69410230	Pulley	2
10	69410240	Pulley	2
11	40707050	Support	2
12	40707060	Hub	2
13	40707070	Front Brush Hub	2
14	40707080	Pin	2
15	40707100	Special Washer	4
16	42207360	Cover	2
17	69102190	Bushing	2
18	40707150	Left Support Motor	1
19	40707160	Right Support Motor	1
20	40707170	Spring	2
21	67622340	Rubber	1
22	68822270	Left Blade	1
23	42207210	Hopper	1
24	66822100	Cylindrical Brush	2
25	42207220	Blade	1
26	68230480	Motor	2
27	70130009	Belt	2
28	70210010	Seeger Ring	2
29	70220009	Seeger Ring	2
30	885030	Key	2
31	902032	Bearing	6
32	74570004	Pipe	1
33	40707200	Support	1
34	67522670	Hose	1
35	42207370	Pipe	1
36	42207340	Spacer	2
37	42207390	Pin	2
38	42207350	Coupling	2
39	42207240	Splash Guard	1
40	42207230	Splash Guard	1
41	68822100	Right Blade	1
42	40236530	Chain	2
43	70900601	Screw	
44	72913006	Cover	2
45	882130	Clip	2
46	74220060	Clamp	1
47	72915011	Cap	2
49	69111010	Bushing	2
50	67020080	Wheel	3
51	40411020	Special Washer	6

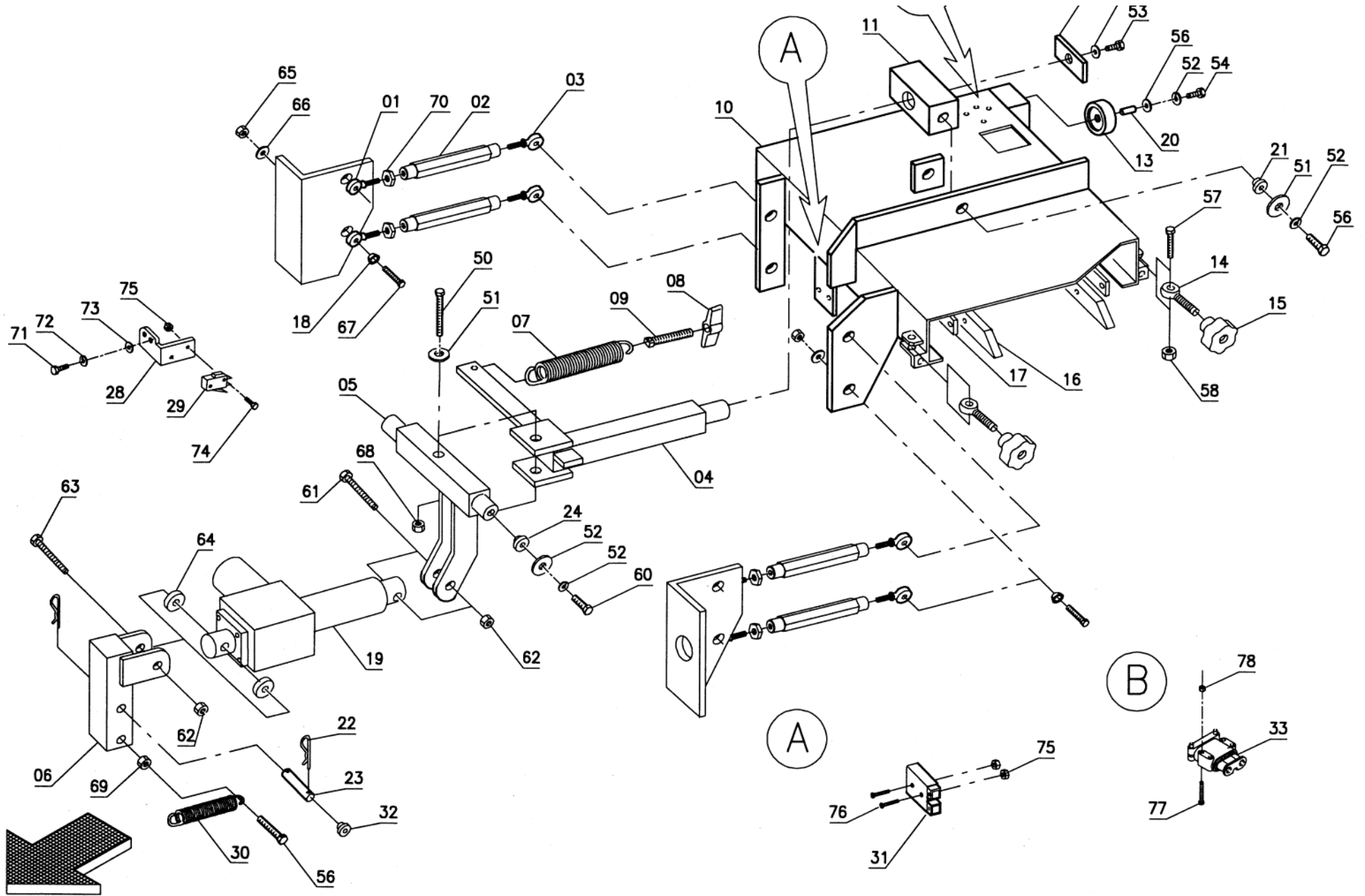
Item	Part Number	Description	Qty.
52	40411010	Pin	3
53	40707110	Coupling	1
54	69210390	Spring	4
55	71400005	Rivet	9
56	69210020	Spring	2
57	40707240	Pipe	2
58	42207260	Pipe	2
59	71707141	Carbon Brush Motor	4
60	72901029	Carbon Brush Holder	1
61	40707290	Ring	2
62	70720351	Oil Seal	2
63	72913018	Cover	2
64	70930602	Screw	
65	980042	Washer	
66	924026	Lock Nut	
67	42207280	Fork	2
68	70981006	Screw	
69A	74540032	Connector	1
69B	74520027	Elbow	1
70	70980602	Screw	
71	71106009	Lock Washer	
72	70911018	Screw	
73	964107	Screw	
74	70910601	Screw	
75	70980501	Screw	
76	980040	Washer	
77	980039	Washer	
78	924033	Lock Nut	
79	980065	Washer	
80	70911032	Screw	
81	70930801	Screw	
82	70910820	Screw	
83	70910506	Screw	
84	980041	Lock Washer	
85	964086	Screw	
86	980069	Washer	
87	70910811	Screw	
88	924025	Nut	
89	70920404	Screw	
90	70911033	Screw	
91	980064	Washer	
92	924055	Lock Nut	
93	71110005	Washer	
94	71110007	Lock Washer	
95	70910623	Screw	
96	924048	Nut	
97	70981006	Screw	
98	71106008	Lock Washer	
99	70910604	Screw	



## 26R - DRAWING 03

Item	Part Number	Description	Qty.
1		Brush	
2	41001100	Coupling	2
3	69009010	Spacer	6
4	41201040	Flange	2
5	69102030	Bushing	6
6	70800007	O-Ring	2
8	69011010	Spacer	2
9	70730471	Oil Seal	2
10	70511702	Bearing	4
14	69001120	Spacer	2
15	40205120	Holdfast	4
16	41205020	Support	2
17	70405053	Key	1
18	69350100	Bevel Gear Pair Right Red.	1
18	69350110	Bevel Gear Pair Left Red.	1
18A	69350050	Bevel Gear Pair Right Red.	1
18A	69350060	Bevel Gear Pair Left Red.	1
19	67400410	Gasket	2
20	74550002	Breather	2
24	883451	Gasket	2
25	40205130	Cover Reduction Gear	2
26	67400420	Gasket	2
27	70512501	Bearing	4
28	69001130	Spacer	2
29	41205010	Reduction Gear Box	2

Item	Part Number	Description	Qty.
30	74550006	Level Plug	2
32	67400180	Gasket	2
34	70738521	Oil Seal	2
35	70800006	O-Ring	2
36	69001100	Spacer	2
37	41201050	Brush Plate	2
38	40205080	Special Washer	2
40	69230010	Spring	2
50	71308004	Washer	
51	964085	Screw	
52	980069	Lock Washer	
53	980044	Washer	
54	71308002	Split Washer	
56	70930801	Screw	
57	70910602	Screw	
58	71106009	Lock Washer	
59	980065	Washer	
65	964086	Screw	
68	71110001	Washer	
69	70911001	Screw	
	A2050006	Reduction Gear, Assembly, Left	1
	A2050007	Reduction Gear, Assembly, Right	1
	A2050011	Reduction Gear, Assembly, Left	1
	A2050012	Reduction Gear, Assembly, Right	1

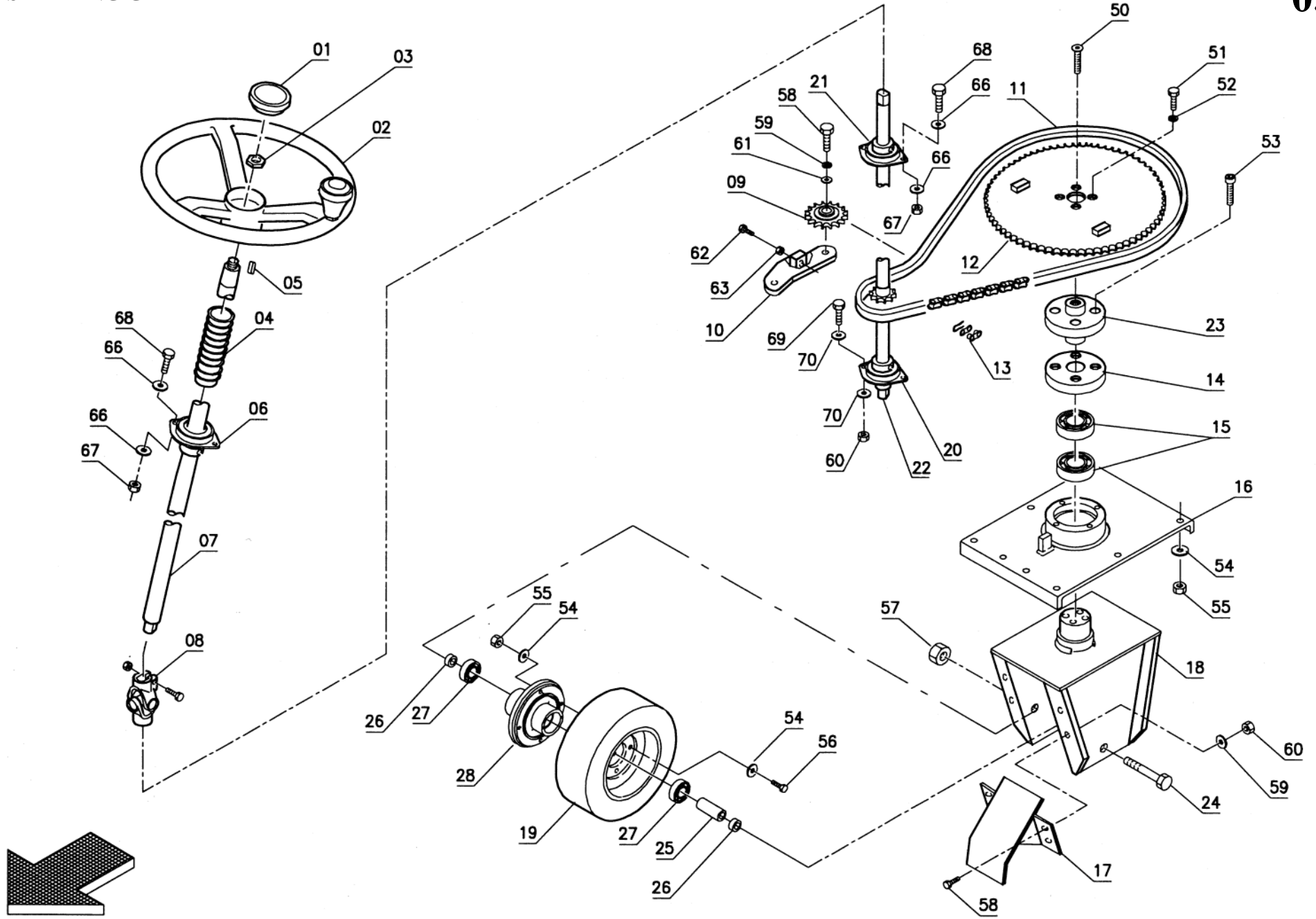




## 26R - DRAWING 04

Item	Part Number	Description	Qty.
1	70541203	Articulation Head	4
2	42203540	Arm	4
3	70541202	Articulation Head	4
4	42203520	Arm	1
5	42203510	Shaft	1
6	42203500	Coupling	1
7	69220450	Spring	1
8	74008005	Knob	1
9	41203290	Adjuster	1
10	42201200	Support	1
11	42203530	Block	1
12	40301030	Plaque	1
13	889742	Wheel	1
14	74806009	Tie Rod	2
15	74008006	Knob	2
16	42201220	Guide	2
17	42201230	Shim	2
18	69017030	Spacer	16
19	66200470	Actuator Assembly	1
20	69104050	Bushing	1
21	69102080	Bushing	2
22	882130	Clip	2
23	42203560	Pin	1
24	69105070	Bushing	2
28	42203550	Support	1
29	72105009	Microswitch	1
30	69220130	Spring	1
31	72700010	Connector	1
32	69121410	Bushing	2
33	72700013	Connector Female	1

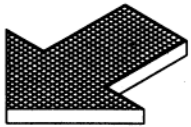
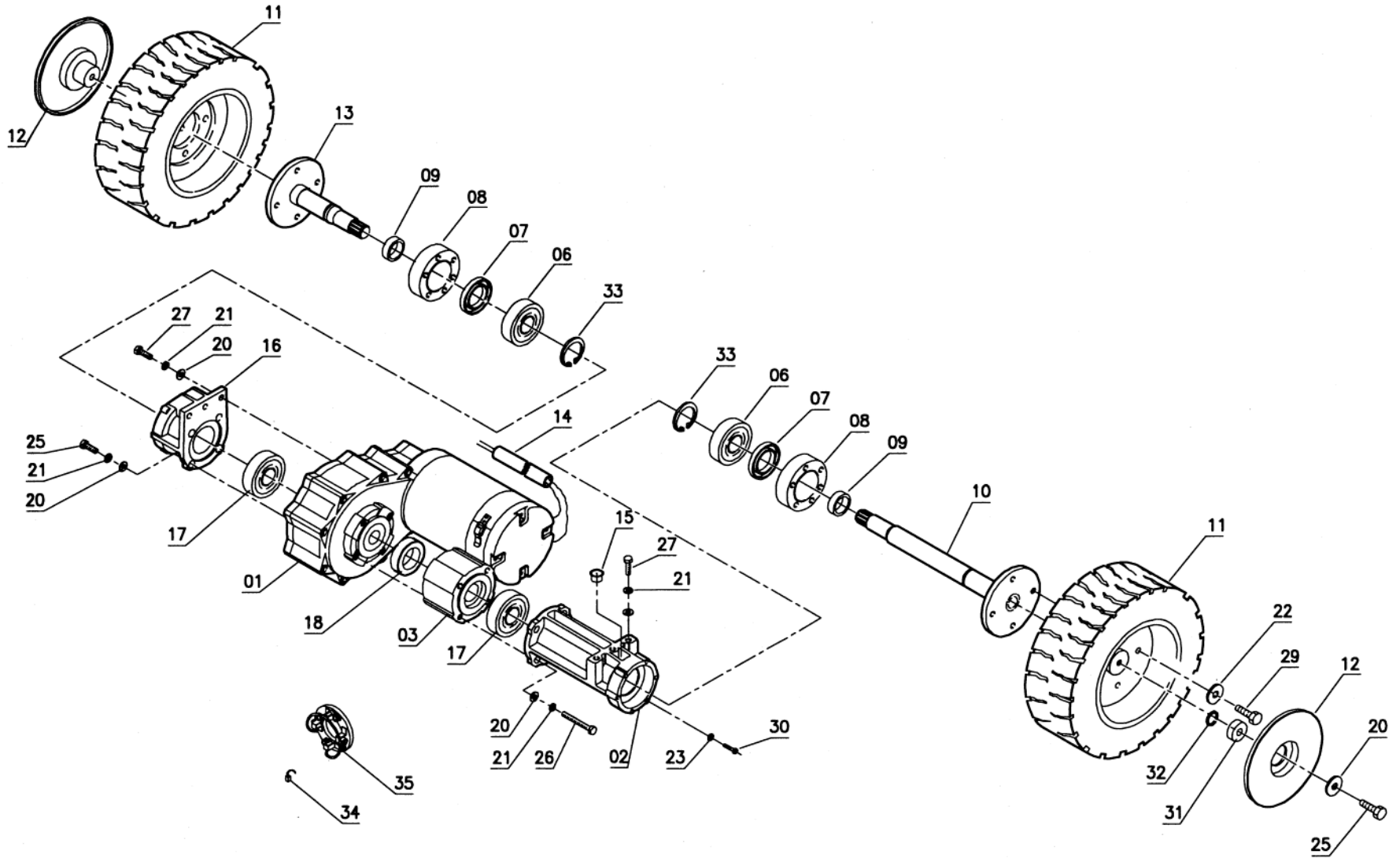
Item	Part Number	Description	Qty.
50	70910827	Screw	
51	980044	Washer	
52	980069	Lock Washer	
53	964086	Screw	
54	964103	Screw	
55	980039	Washer	
56	964090	Screw	
57	70910615	Screw	
58	71010603	Nut	
59	70910803	Screw	
60	40205080	Special Washer	
61	70911024	Screw	
62	924055	Lock Nut	
63	70911021	Screw	
64	980064	Washer	
65	71021202	Lock Nut	
66	980046	Washer	
67	70911205	Screw	
68	924064	Lock Nut	
69	71010807	Nut	
70	71011202	Nut	
71	964082	Screw	
72	71105006	Washer	
73	980066	Washer	
74	70940302	Screw	
75	924043	Lock Nut	
76	70940304	Screw	
77	70910406	Screw	
78	924029	Lock Nut	



## 26R - DRAWING 05

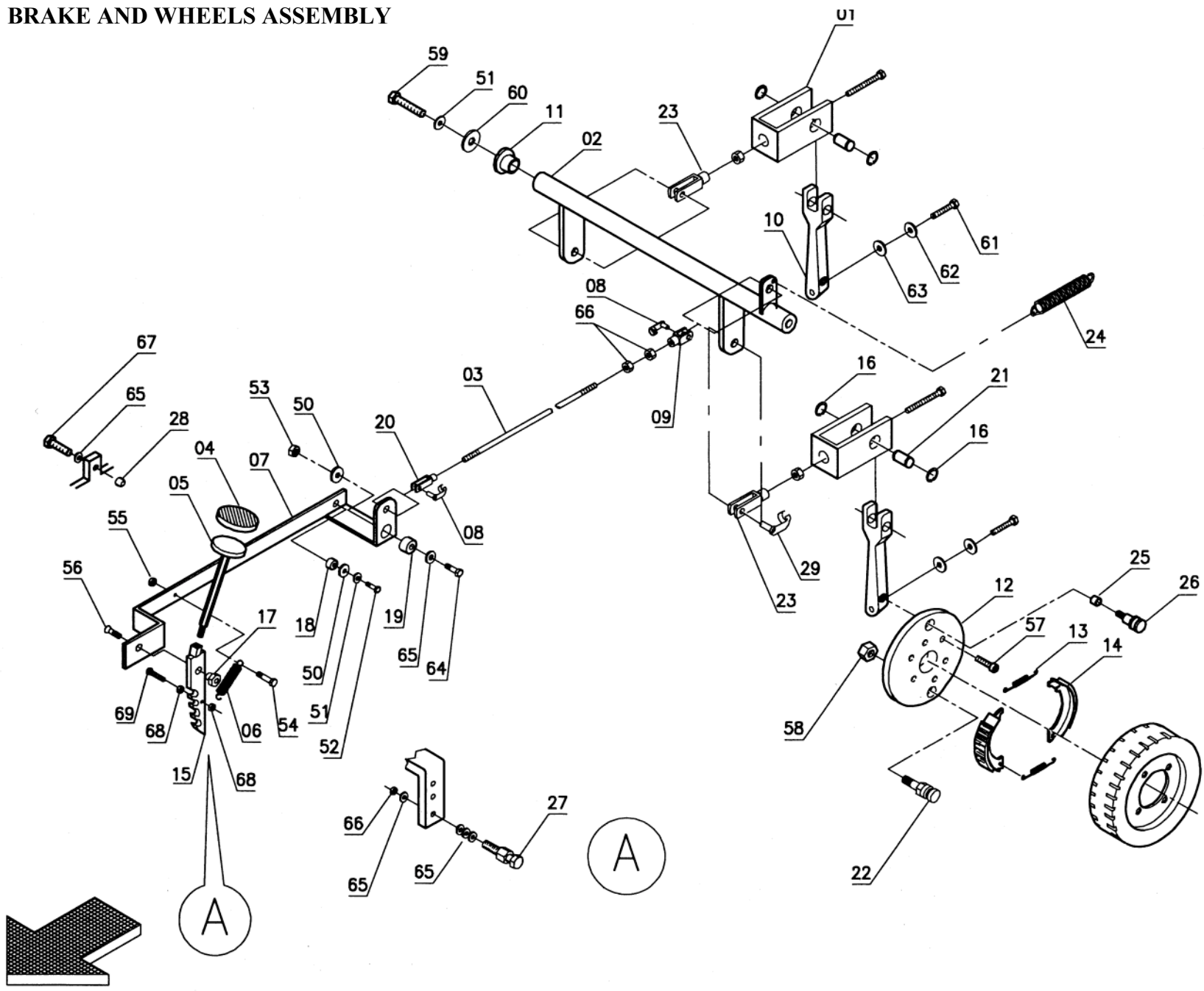
Item	Part Number	Description	Qty.
1	72913011	Plug	1
2	69510010	Steering Wheel Assembly	1
3	40627180	Special Nut	1
4	67533010	Bellows	1
5	885030	Key	1
6	70542501	Bearing	1
7	42227200	Shaft	1
8	74807001	Universal Joint	1
9	69310070	Chain Tightener	1
10	42227240	Support	1
11	70300007	Chain	1
12	69330130	Crown Gear	1
13	70300004	Joint Chain	1
14	42227260	Bearing Support	1
15	70515001	Bearing	2
16	42227280	Plaque	1
17	42227250	Fender	1
18	42227230	Support Wheels	1
19	67030830	Wheel	1
20	70541702	Bearing Support	1
21	70542003	Support	1
22	42227210	Shaft	1
23	42227270	Hub	1

Item	Part Number	Description	Qty.
24	42227220	Pin	1
25	69121400	Spacer	1
26	69009080	Spacer	2
27	70512003	Bearing	2
28	66920240	Wheel Hub	1
50	70980804	Screw	
51	964106	Screw	
52	980053	Lock Washer	
53	70931002	Screw	
54	980064	Washer	
55	924055	Lock Nut	
56	964119	Screw	
57	71022002	Lock Nut	
58	964107	Screw	
59	980042	Washer	
60	924026	Lock Nut	
61	980065	Washer	
62	70910827	Screw	
63	71010807	Nut	
64	71114002	Washer	
65	964086	Screw	
66	980039	Washer	
67	924033	Lock Nut	



## 26R - DRAWING 06

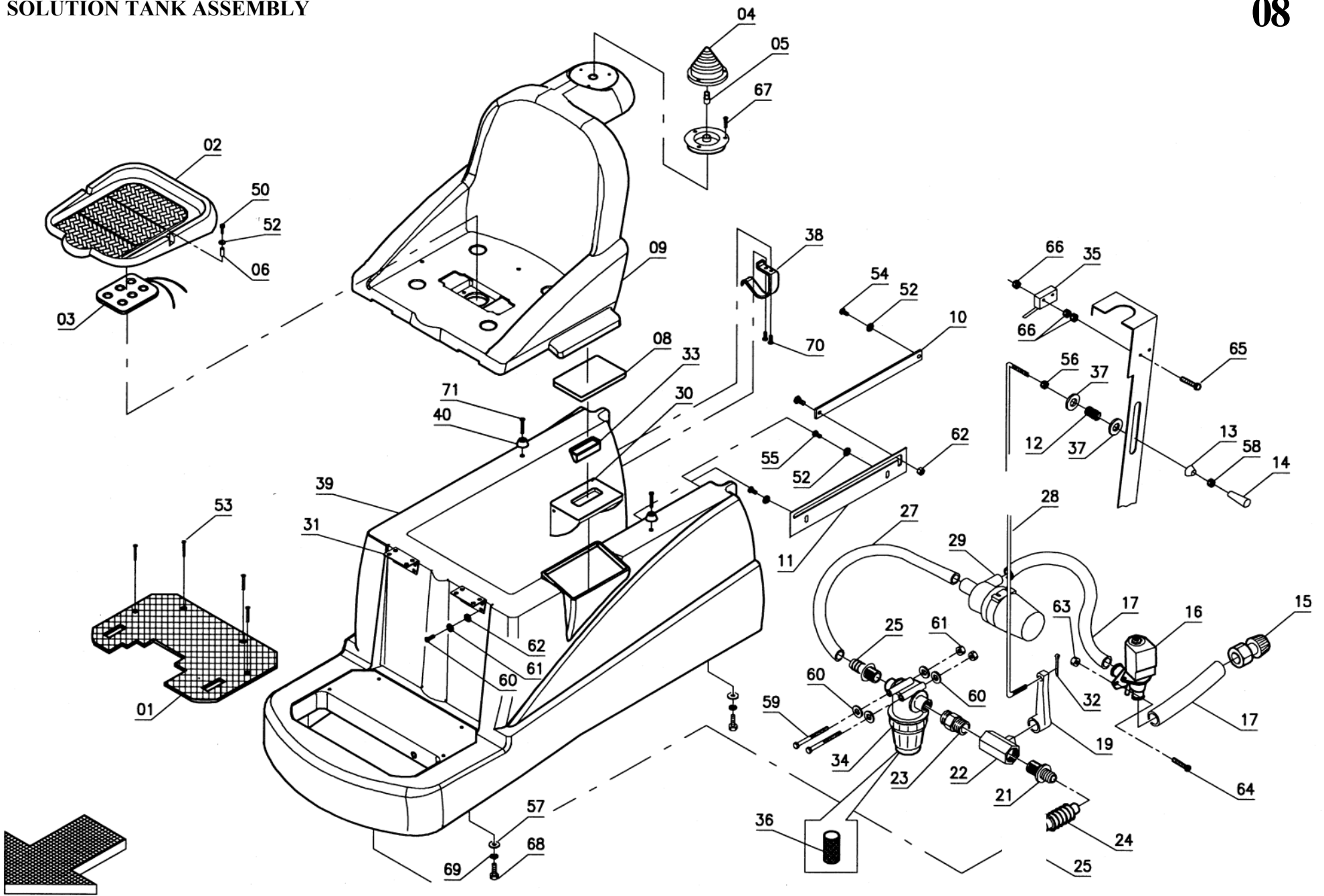
Item	Part Number	Description	Qty.
1	68200220	Geared Motor	1
2	40730030	Left Support	1
3	73501201	Spacer	1
6	70512503	Bearing	2
7	70732521	Oil Seal	2
8	42217120	Spacer	2
9	69006030	Spacer	2
10	68922110	Left Axle Shaft	1
11	67030840	Wheel	2
12	41617020	Wheel Cover	2
13	68922100	Right Axle Shaft	1
14	67404160	Sheath	1
15	72913015	Cap	1
16	40730020	Support	1
17	70512002	Bearing	2
18	40730050	Spacer	1
20	980039	Washer	
21	980069	Lock Washer	
22	71110007	Lock Washer	
23	980041	Lock Washer	
25	964090	Screw	
26	70910827	Screw	
27	70910803	Screw	
29	70931004	Screw	
30	964062	Screw	
31	69006080	Spacer	2
32	70800018	O-Ring	2
33	70220011	Seeger Ring	2
34	71707143	Stud Bolt	4
35	72901029	Carbon Brush Holder	1



## 26R - DRAWING 07

Item	Part Number	Description	Qty.
1	42218440	Fork	2
2	42218400	Shaft	1
3	42218410	Rod	1
4	42218020	Pedal Cover	1
5	42218040	Pedal	1
6	888336	Spring	1
7	42218450	Lever	1
8	74620006	Pin	2
9	74610005	Fork	1
10	74803045	Lever	2
11	69105070	Bushing	2
12	42217100	Brake Disk	2
13	74803060	Spring	2
14	74803059	Block	2
15	42218460	Lever	1
16	70220003	Seeger Ring	4
17	69121020	Bushing	1
18	69102050	Bushing	1
19	42218430	Spacer	1
20	74610006	Fork	1
21	42218470	Pin	2
22	42217110	Pin	2
23	74610004	Fork	2
24	888350	Spring	1
25	69102220	Bushing	2

Item	Part Number	Description	Qty.
26	74803061	Pin	2
27	42218420	Brake Lock	1
28	72915012	Cap	1
29	74620005	Pin	1
50	980044	Washer	
51	980069	Lock Washer	
52	964090	Screw	
53	924033	Lock Nut	
54	964062	Screw	
55	924046	Nut	
56	70980801	Screw	
57	70930607	Screw	
58	924055	Lock Nut	
59	964086	Screw	
60	980070	Washer	
61	964078	Screw	
62	71106009	Lock Washer	
63	980042	Washer	
64	964106	Screw	
65	980039	Washer	
66	71010807	Nut	
67	964086	Screw	
68	924031	Nut	
69	964067	Screw	

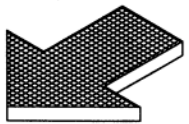
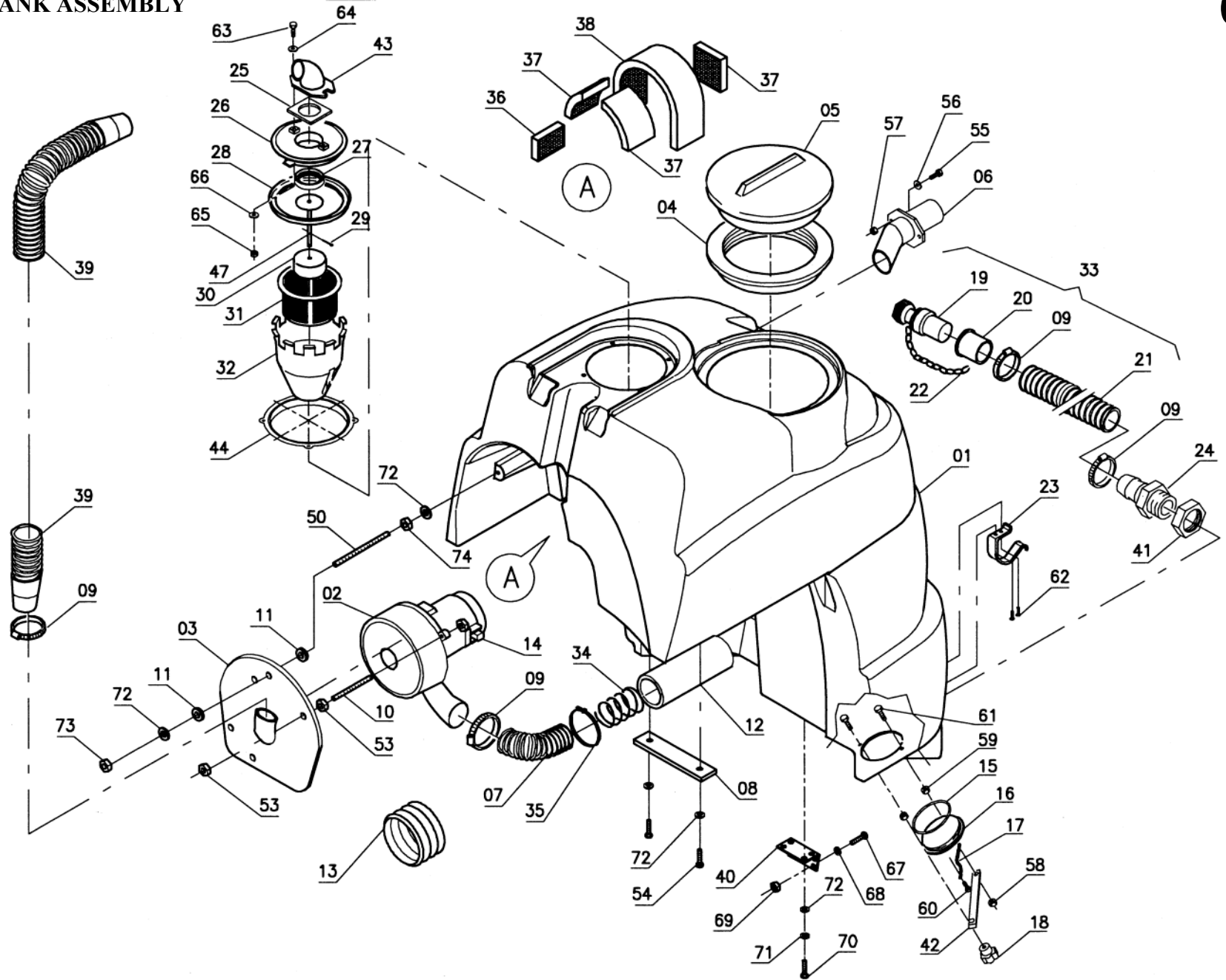




## 26R - DRAWING 08

Item	Part Number	Description	Qty.
1	42246300	Bottom Plate	1
2	42246130	Seat	1
3	72105014	Microswitch	1
4	72905013	Winking Light Assembly	1
5	72300016	Electric Bulb	1
6	69000030	Spacer	2
8	67406140	Gasket	1
9	42246370	Support	1
10	42236320	Prop	1
11	42236320	Prop	1
12	69210360	Spring	1
13	980621	Special Washer	1
14	885044	Knob	1
15	74570007	Coupling	1
16	68533010	Solenoid Valve	1
17	67523120	Pipe	2
19	885144	Cock Lever	1
21	74540029	Connector	1
22	889440	Cock	1
23	74560005	Nipple	1
24	40237100	Bellows	1
25	40337040	Connector	1
27	67522260	Hose	1
28	42237100	Rod	1
29	68701190	Pump Assembly	1
30	42236340	Door	1
31	40346280	Hinge	1
32	925603	Split Pin	1
33	42236350	Handle	1

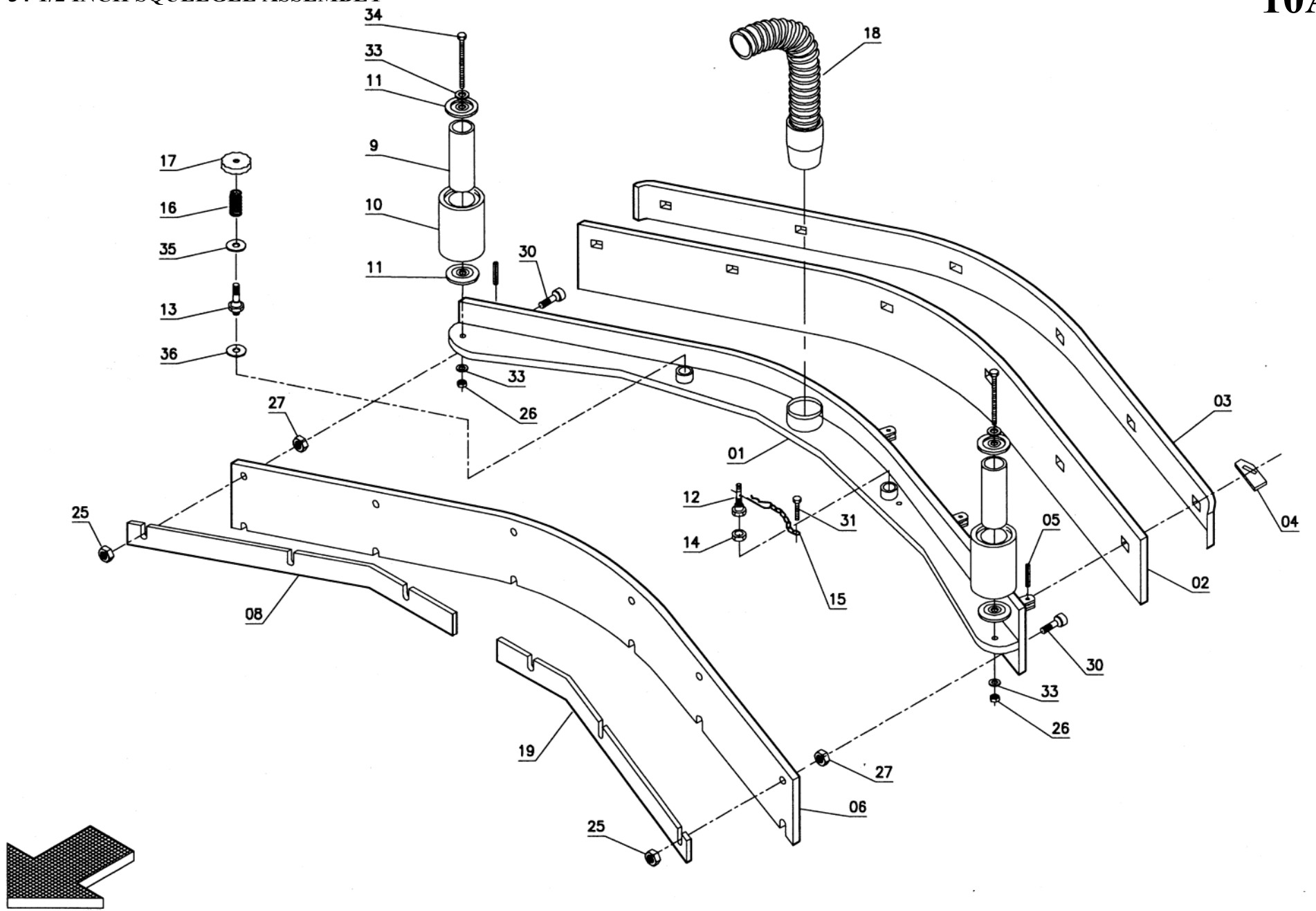
Item	Part Number	Description	Qty.
34	66500490	Filter	1
35	72105009	Microswitch	1
36	66500500	Filter Cartridge	1
37	71106011	Washer	2
38	41036110	Coupler	1
39	69722100	Solution Tank	1
40	72915004	Rubber Cup	2
50	70940605	Screw	
51	980045	Lock Washer	
52	71106006	Washer	
53	70980603	Screw	
54	964109	Screw	
55	964064	Screw	
56	924046	Nut	
57	980040	Washer	
58	924060	Nut	
59	70910821	Screw	
60	980039	Washer	
61	924033	Lock Nut	
62	980044	Washer	
63	924029	Lock Nut	
64	70940404	Screw	
65	70940306	Screw	
66	924041	Nut	
67	964063	Screw	
68	964116	Screw	
69	980040	Washer	
70	70944801	Screw	
71	964104	Screw	



## 26R - DRAWING 09

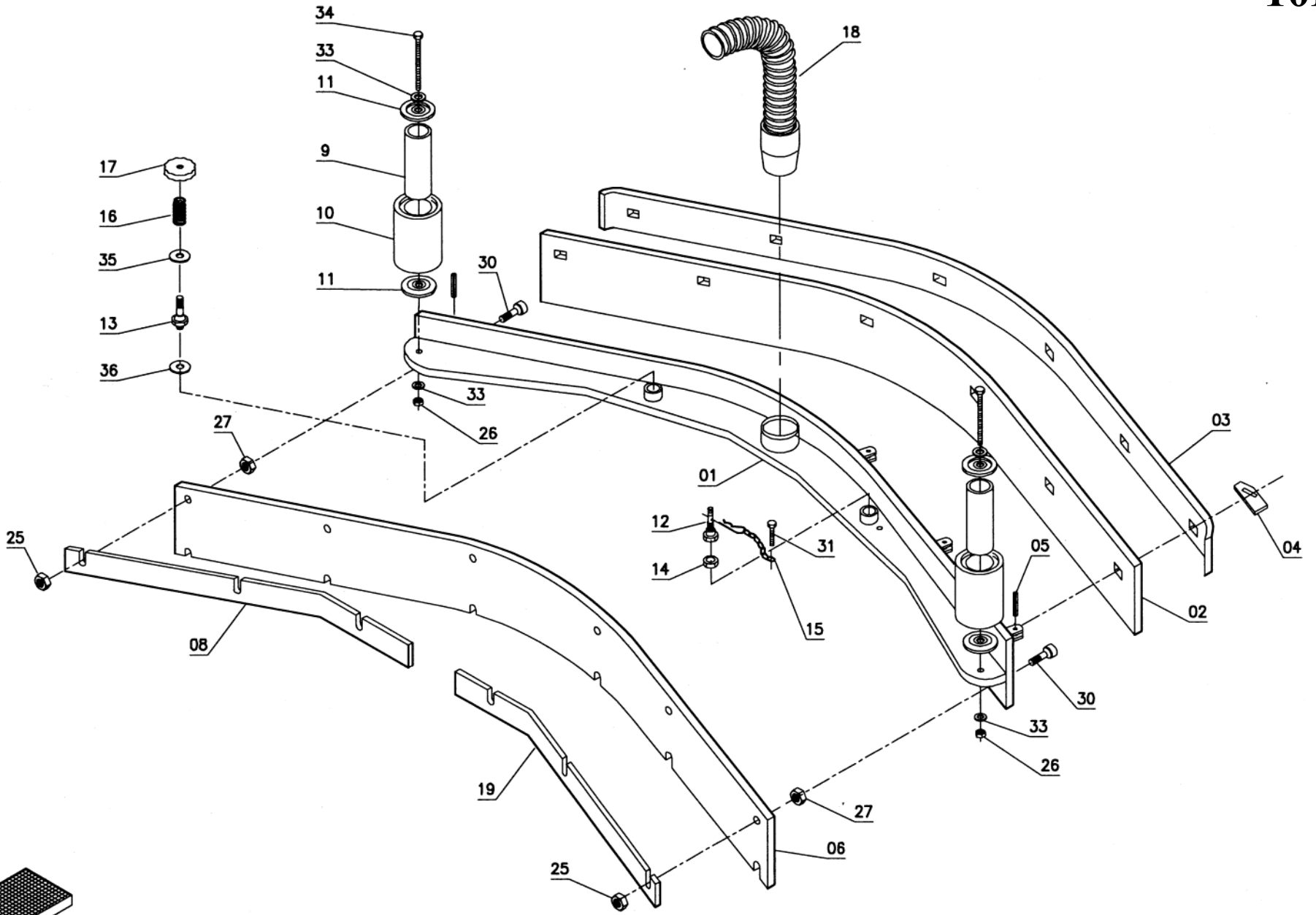
Item	Part Number	Description	Qty.
1	69722110	Recovery Tank	1
2	68130410	Suction Motor	1
3	42236300	Plaque	1
4	41036040	Ring with Gasket	1
5	41036030	Cover	1
6	42236310	Fitting	1
7	67512050	Pipe	1
8	42236360	Blade	1
9	74220059	Clamp	4
10	888440	Stud Bolt	1
11	883830	Fairlead	2
12	67532040	Deadening Hose	1
13	67401010	Shroud	1
14	71707112	Carbon Brush Motor	2
15	70800004	O-Ring	1
16	41236020	Plug	1
17	41236060	Chain	1
18	74008002	Knob	1
19	41036060	Plug Exhaust Pipe	1
20	67300080	Pipe	1
21	67512130	Pipe	1
22	41036080	Chain	1
23	41036110	Coupler	2
24	74540010	Connector	1
25	883446	Gasket	1
26	886841	Cover	1
27	883442	Gasket	1
28	883441	Gasket	1
29	925603	Split Pin	2
30	883344	Float	1
31	66500010	Filter	1
32	888551	Protection	1
33	67523340	Hose	1
34	69210440	Spring	1
35	882030	Clamp	1
36	67101360	Deadening	1

Item	Part Number	Description	Qty.
37	67101350	Deadening	3
38	67101370	Deadening	1
39	67512320	Pipe	1
40	40346280	Hinge	2
41	74580004	Ring Nut	1
42	41236030	Blade	1
43	882442	Opening	1
44	42036030	Filter Holder	1
45	A6520001	Float Assembly	1
47	887440	Rod	1
50	925606	Dowel	
51	71105004	Washer	
52	980041	Lock Washer	
53	924063	Nut	
54	70945001	Screw	
55	964109	Screw	
56	71106006	Washer	
57	924050	Lock Nut	
58	71020804	Lock Nut	
59	71010806	Nut	
60	70943902	Screw	
61	70960806	Dowel	
62	70944801	Screw	
63	964105	Screw	
64	980060	Washer	
65	924045	Nut	
66	71104002	Washer	
67	964107	Screw	
68	980042	Washer	
69	924026	Lock Nut	
70	964082	Screw	
71	71105006	Washer	
72	980066	Washer	
73	924032	Lock Nut	
74	924046	Nut	



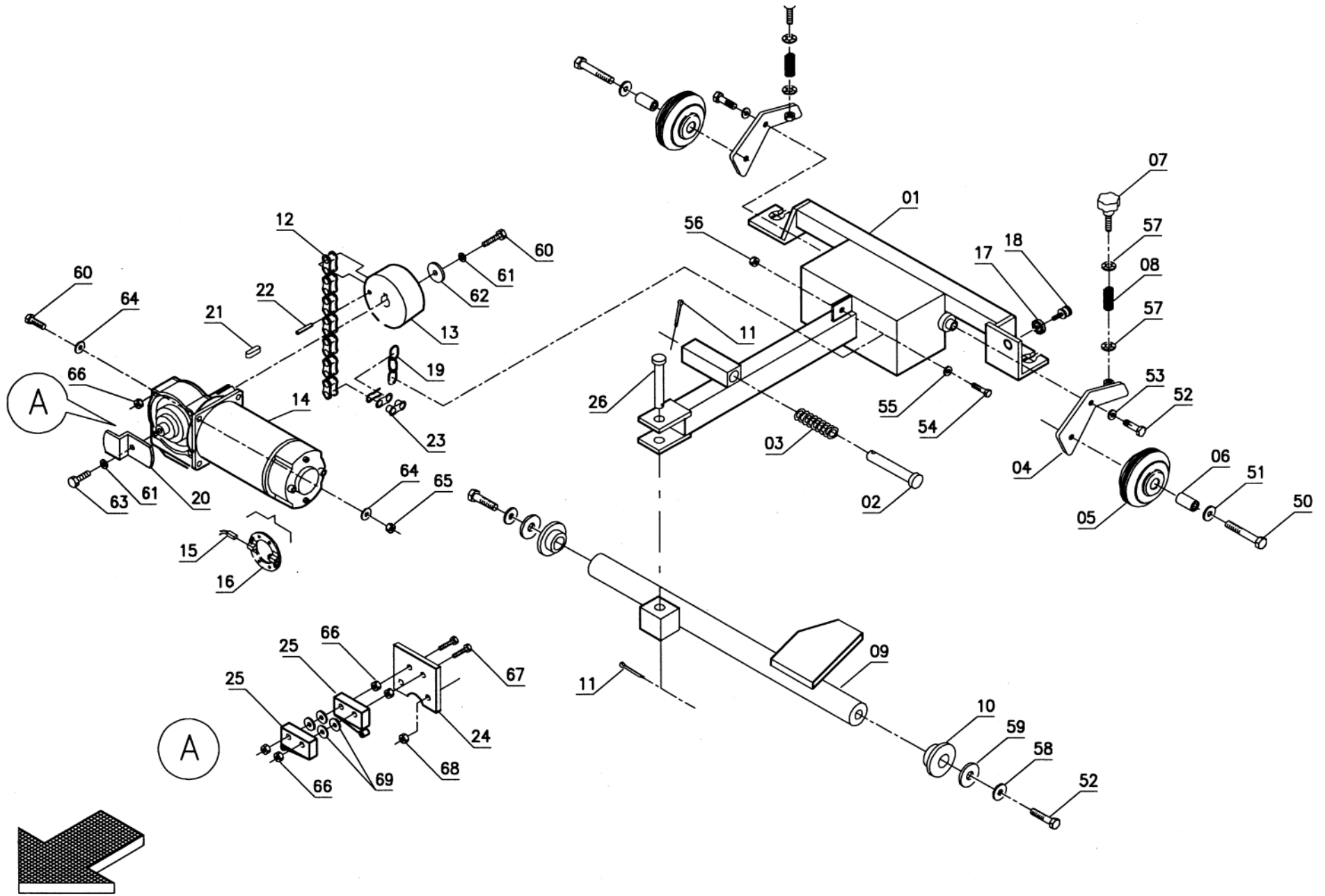
**26R - DRAWING 10A: 34-1/2 INCH SQUEEGEE ASSEMBLY  
PART NUMBER A9622002**

Item	Part Number	Description	Qty.
1	69622030	Squeegee Body	1
2	67722110	Rear Rubber	1
3	68822250	Blade	1
4	40311040	Plaque	6
5	71405002	Spring Pin	6
6	67722100	Front Rubber	1
8	58822240	Blade	1
9	40411010	Pin	2
10	67020080	Wheel	2
11	40411020	Special Washer	4
12	40311010	Stud Bolt	1
13	40211050	Stud Bolt	1
14	40311020	Special Nut	1
15	882444	Chain	1
16	69210600	Spring	1
17	40212010	Handwheel	1
18	67512640	Pipe	1
25	924050	Lock Nut	
26	924055	Lock Nut	
27	71010605	Nut	
30	70980603	Screw	
31	70940507	Screw	
33	980064	Washer	
34	70911030	Screw	
35	980044	Washer	



**26R - DRAWING 10B: 40 INCH SQUEEGEE ASSEMBLY  
PART NUMBER A9622003**

Item	Part Number	Description	Qty.
1	69622040	Squeegee Body	1
2	67707130	Rear Rubber	1
3	68807070	Blade	1
4	41811060	Plaque	6
5	71405002	Spring Pin	6
6	67707120	Front Rubber	1
8	68807050	Right Blade	1
9	40411010	Pin	2
10	67020080	Wheel	2
11	40411020	Special Washer	4
12	40311010	Stud Bolt	1
13	40211050	Stud Bolt	1
14	40311020	Special Nut	1
15	882444	Chain	1
16	69210600	Spring	1
17	40212010	Handwheel	1
18	67512640	Pipe	1
19	68807070	Left Blade	
25	924050	Lock Nut	
26	924055	Lock Nut	
27	71010605	Nut	
30	70980603	Screw	
31	70940507	Screw	
33	980064	Washer	
34	70911030	Screw	
35	980044	Washer	
36	71112002	Washer	

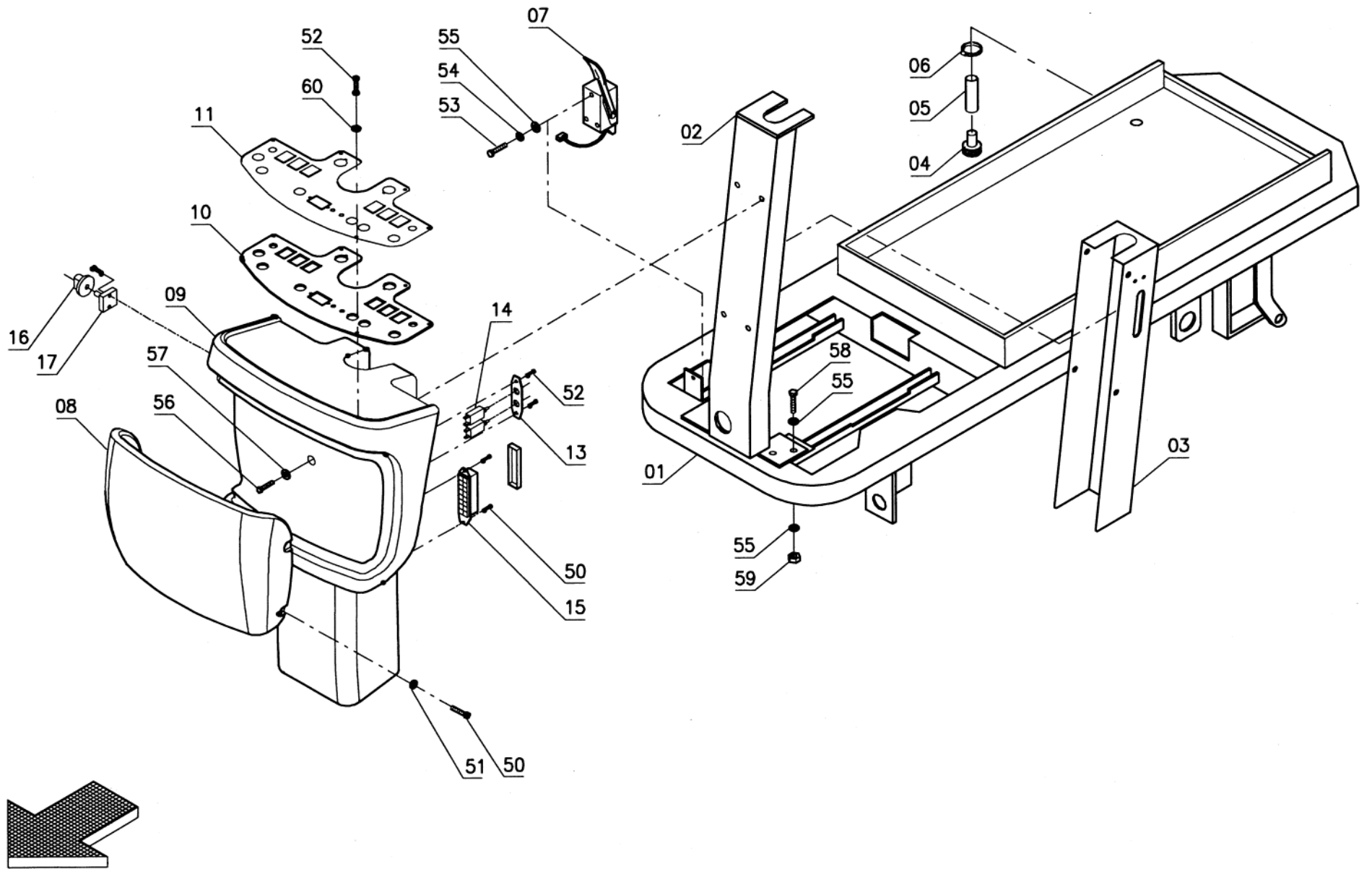




## 26R - DRAWING 11

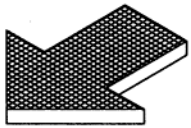
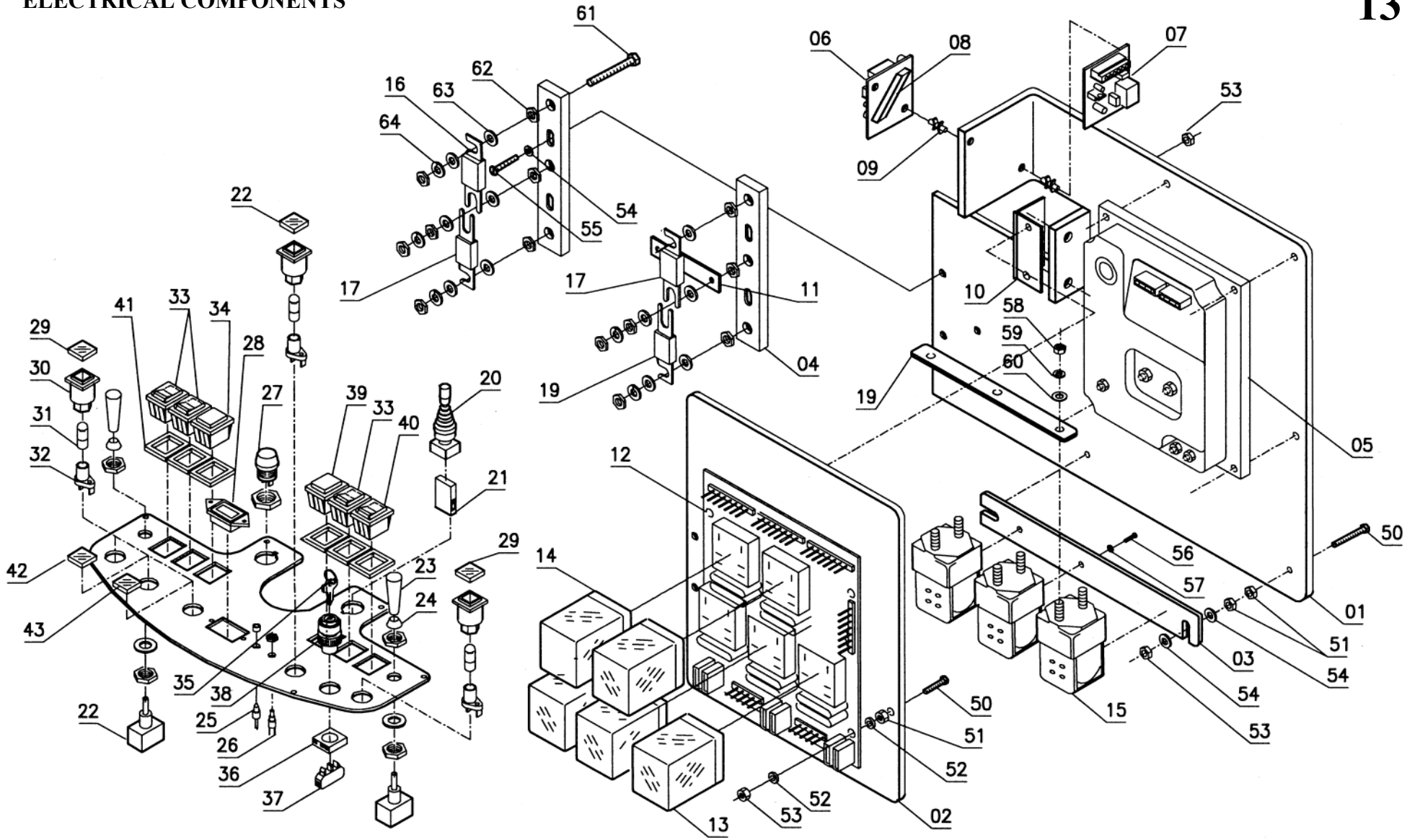
Item	Part Number	Description	Qty.
1	42212410	Arm	1
2	42212420	Push Button	1
3	69210630	Spring	1
4	40712070	Support	2
5	67010060	Wheel	2
6	69104070	Bushing	2
7	74008010	Knob	2
8	69210590	Spring	2
9	42212400	Shaft	1
10	69105060	Bushing	2
11	925603	Split Pin	2
12	70300009	Chain	1
13	41212040	Roller	1
14	68230540	Geared Motor	1
15	71706092	Carbon Brush Motor	2
16	72901045	Carbon Brush Holder	1
17	40312190	Handwheel	1
18	40312180	Adjuster	1
19	42212370	Chain	1
20	41212050	Lever	1
21	885030	Key	1
22	71404003	Spring Pin	1
23	70300004	Joint Chain	1

Item	Part Number	Description	Qty.
24	42212440	Support	1
25	72105003	Microswitch	2
26	74620009	Pin	1
50	70911024	Screw	
51	980064	Washer	
52	70910803	Screw	
53	980039	Washer	
54	964109	Screw	
55	71106006	Washer	
56	924050	Lock Nut	
57	980053	Lock Washer	
58	980069	Lock Washer	
59	980070	Washer	
60	964116	Screw	
61	71106009	Lock Washer	
62	71106015	Washer	
63	964107	Screw	
64	980042	Washer	
65	924026	Lock Nut	
66	924046	Nut	
67	70910507	Screw	
68	924032	Lock Nut	
69	980066	Washer	



## 26R - DRAWING 12

Item	Part Number	Description	Qty.
1	69922500	Frame	1
2	69922600	Frame	1
3	42246310	Cover	1
4	41336110	Cap	1
5	67522240	Pipe	1
6	74220061	Clamp	1
7	74802008	Pedal	1
8	42246360	Cover	1
9	42246350	Cover	1
10	42246340	Plate	1
11	66401336	Decal	1
13	42251210	Plaque	1
14	72106006	Contact Breaker	2
15	72400014	Fuseholder	1
16	74100020	Knob	1
17	68303150	Commutator	1
50	70950504	Screw	
51	980621	Special Washer	
52	964126	Screw	
53	70910803	Screw	
54	980069	Washer	
55	980039	Washer	
56	964116	Screw	
57	980065	Washer	
58	964090	Screw	
59	924033	Lock Nut	
60	71104006	Washer	



## 26R - DRAWING 13

Item	Part Number	Description	Qty.
1	42251100	Panel	1
2	42251110	Support	1
3	41651030	Support	1
4	72400009	Fuseholder	2
5	67900036	Chopper Card	1
6	67900054	Check Card Delay Brushes	1
7	67903001	Check Card Batteries	1
8	80930003	Profile	2
9	72903009	Coupler	4
10	41046770	Hinge	1
11	41251090	Bridge	1
12	67900029	Check Card Controls	1
13	887550	Relay	1
14	68420510	Relay	4
15	68430110	Remote Control Switch	3
16	72403502	Fuse	1
17	72408001	Fuse	1
18	72416001	Fuse	1
19	41651020	Bridge	1
20	68303130	Manipulator	1
21	68303140	Contact	1
22	40651110	Commutator	2
23	885044	Knob	2
24	72908005	Cap	2
25	72300108	LED	1
26	72105015	Microswitch	1
27	72905009	Push Button	1
28	72904002	Hour Meter	1
29	72300214	Yellow Cristal	2

Item	Part Number	Description	Qty.
30	72300201	Body	5
31	72300006	Electric Bulb	5
32	72300207	Lamp Holder	5
33	72102005	Switch	3
34	72300117	Battery Warning Light	1
35	72908017	Key	1
36	72199018	Flange	1
37	72107005	Contact	1
38	72199015	Switch with Key	1
39	882343	Cover	1
40	72101006	Switch	1
41	883440	Gasket	6
42	72300204	Red Cristal	1
43	72300205	Red Cristal	1
50	964070	Screw	
51	924031	Nut	
52	980059	Washer	
53	924029	Lock Nut	
54	980043	Washer	
55	964113	Screw	
56	964127	Screw	
57	980058	Lock Washer	
58	71010805	Nut Brass	
59	980069	Washer	
60	980039	Washer	
61	70911006	Screw	
62	71011007	Nut	
63	71110010	Washer Brass	
64	71110007	Lock Washer	

# NOTES

# **SERVICE LOG**

**WARRANTY POLICY**  
**PACIFIC STEAMEX INC. LIMITED WARRANTY**

The **Pacific Steamex Inc.** ScrubMaster has been manufactured, tested and inspected in accordance with specific engineering requirements. This machine is WARRANTED to be free from defects in workmanship and materials for periods as follows from the date of purchase.

Ten (10) Years Parts, One (1) Year Labor – Polyethylene Components

Five (5) Years Parts, One (1) Year Labor – Main Frame

Two (2) Years Parts, One (1) Year Labor – Brush Drive Motors

One (1) Year Parts & Labor – All other components unless excluded below

Travel time for warranty repair is authorized for a period of ninety (90) days following the date of sale to the end user, with a maximum of three (3) hours per claim.

This warranty extends to the original user/purchaser and only when used, operated and maintained in accordance with **Pacific Steamex Inc.** Operating and Maintenance instructions.

This warranty does not apply to certain wear parts and accessories of the machine such as electrical cords, carbon motor brushes, floor brushes, belts, hoses, tools, squeegee blades, etc., nor does it apply to damage or failure caused by improper use, abuse or neglect. Warranty credit or replacement of return parts including motors, pumps, etc., is subject to incoming inspection of those items.

To secure repair under this warranty, the following procedure should be taken:

1. After the expiration of the ninety (90) day travel time warranty period, the customer is responsible for warranty travel payment or the inoperative machine or warranted parts must be delivered to the authorized dealer with shipping and delivery charges prepaid. If unable to locate the Dealer, you may contact **Pacific Steamex Inc.** at the address listed herein for the location of the nearest **Pacific Steamex Inc.** repair center or agent or for other instructions pertaining to your warranty difficulty.
2. Upon compliance with the above warranty procedure, all warranted repairs will be completed at no additional charge or cost to the user.
3. Only **Pacific Steamex Inc.** or its authorized dealers and agents may make no charge warranty repairs on this product. All others do so at their own risk.

This warranty limits **Pacific Steamex Inc.** liability to the repair of the product and/or warranted parts replacement and does not include incidental or consequential damages arising from the use of a **Pacific Steamex Inc.** machine whether defective or not.

**BATTERY WARRANTY**

In addition to the terms above, any original equipment Pacific Steamex Battery which becomes unserviceable under normal use within a period of ninety (90) days from date of sale to the original user will be repaired or replaced with one of equal specification at our option, F.O.B. any authorized Pacific Steamex Sales or Service Branch, with no charge to user, except transportation costs. After the expiration of the above ninety (90) day period, any battery which fails under normal use will be adjusted to the original user with a new battery of equal specification on a twelve (12) month pro rata basis from the date of purchase. Adjustment will be determined using the then current list price, plus transportation costs. Warranty is rendered null and void if battery is not kept filled to the proper level with DISTILLED WATER.

This warranty is in lieu of all other expressed or implied warranties and is extended to the original purchaser/user.

**PACIFIC STEAMEX, INC.**  
2259 S. SHERIDAN  
MUSKEGON, MICHIGAN 49442-6252  
1-800-968-1332  
FAX 1-800-863-9536