



PACIFIC[®]
F L O O R C A R E

AM-15

15 GALLON MISTER

PARTS & OPERATING MANUAL



Thank you for purchasing a Pacific Floorcare product. Carefully inspect all components for freight damage. If such damage is discovered, file a “CONCEALED DAMAGE REPORT” immediately with the delivering carrier.

Read this manual carefully and keep it near the machine, protected from liquids and other damaging substances. Failure to follow the instructions may result in injury or damage to equipment and property.

The contents of this manual are based on the latest product information available at the time of publication. Pacific Floorcare reserves the right to make changes or improvements without being obliged to apply changes to the machines previously sold.

New manuals can be downloaded from: www.pacificfloorcare.com/manuals

15 GALLON MISTER SPECIFICATIONS

Power Requirements	120 Vac at 60 Hz, 8.5 A (GFCI protected outlet)
Power Cable Length	9 Ft.
Noise Level (dBA)	60
Machine Weight	90 Lbs.
Liquid Temperature Range	40-100° F (4.4-37° C)
Chemical Compatibility	Chemical products used with this equipment must be formulated for the type of application and compatible with this unit's materials and pump seals. For more information on chemical compatibility, consult the manufacturer, SDS for your product, or our contact customer service department.
Chemical Pickup Type	Draws from pre-mixed solution
Capacity	15 Gallons (56.8 Liters)
Suction Line Diameter	3/8 In. (9.5 mm) inside diameter
Discharge Line Length/Diameter	25 Ft. (7.6 M) coiled twin-line tubing with 1/4 In. (6.4 mm) outside diameter
Discharge Wand/Tip Type	Polypropylene trigger handle with misting nozzle
Output Distance	3-4.5 Ft. (0.9-1.4 M)
Output Volume	8.9 oz/min (263.2 ml/min) at 50 psi (3.4 bar)
Flow Rate*	8.9 oz/min (263.2 ml/min) at 50 psi (3.4 bar)
Pump Seals	Santoprene
Run Time - Full Tank**	Approx. 3.5 hours
Nozzle Type	Pneumatic fog nozzle
Number of Nozzles	1 nozzle
Droplet Size***	15 micron at 50 psi (3.4 bar)
Wheel Type	Two 10 In. (25.4 cm) non-marking wheels Two 5 In. (12.7 cm) locking casters

* Dilution rates and flows rates given are based on chemical viscosity the same as water and factory air pressure settings.

** Area covered and run time may vary based on humidity, air flow, and product used.

*** Refer to chemical supplier for recommended application for sanitizing and disinfecting efficacy.

TABLE OF CONTENTS

SAFETY INFORMATION	1
MACHINE OVERVIEW	2
ASSEMBLY	4
OPERATION	5
MACHINE USE	5
AFTER USE INSTRUCTIONS	6
TROUBLESHOOTING GUIDE	7
PARTS	8
BACK PANEL	8
MACHINE - FRONT	9
MACHINE - REAR	10
WAND ASSEMBLIES	11
WARRANTY	13



SAFETY INFORMATION



Warning: People or objects can be hurt or damaged if this unit is not used correctly.

Warning: Failure to read all the instructions before operating the unit may result in personal injury or death from the improper use of the chemical solution. Anyone handling, operating or using the unit must read, and understand, the instructions in the manual. The buyer assumes all responsibility for safety and proper use in accordance with the instructions.



Warning: Using, or servicing, the unit without proper protective clothing, gloves, and eye wear may result in serious injury such as burns, rashes, eye, throat or lung damage and death. Always wear protective clothing, gloves, and eye wear when using, or servicing, the unit. Protect eyes, skin, and lungs against drifting spray.



Warning: Chemical solutions may pose a health risk and death if they contact the skin or eyes, are inhaled or swallowed. Always read, and follow, all chemical safety precautions and handling instructions provided by the chemical manufacturer and the Safety Data Sheet (SDS) associated with the chemical solution being used before using the unit.



Warning: Pressure within the equipment may cause an unexpected release of the chemical solution and cause serious injury such as burns, rashes, eye damage, throat or lung damage and death. Always depressurize and clean the unit after each use. Never leave the unit unattended while pressurized.



Using the unit with fluid temperatures above 100°F (37.77°C) may result in scalding, burns, serious injury or death. DO NOT use a solution with a temperature above 100°F (37.77°C).

Operating the unit when damaged or leaking may result in exposure to chemical solutions, serious injury or death. Never use the unit if it is damaged or leaking.

Never point the discharge wand at yourself, another person, or any object you do not want covered in chemical.

Warning: Using incoming air pressure exceeding 100 psi (7 bar) may result in pressure buildup, explosion, serious injury or death. DO NOT exceed 100 psi (7 bar) incoming air pressure when operating the unit.



Use of hydrocarbons and flammable products may result in explosions, fire and serious injury or death. Never use hydrocarbons or flammable products with the unit.

Warning: Mixing an alkaline with an acid may result in a chemical reaction. Overheating of the mixture may cause it to splatter caustic compounds or release hazardous fumes, gas and vapors. Always flush the unit with fresh water for five (5) minutes when switching from an alkaline to an acid or an acid to an alkaline.



Warning: Touching damaged electrical cords (i.e.: bare wires, bare receptacles) may result in electrical shock, serious injury or death. Always inspect the electrical cords and extension cords for damage before connecting the unit to the power supply. DO NOT touch a damaged electrical cord, or extension cord, that is connected to the power supply.



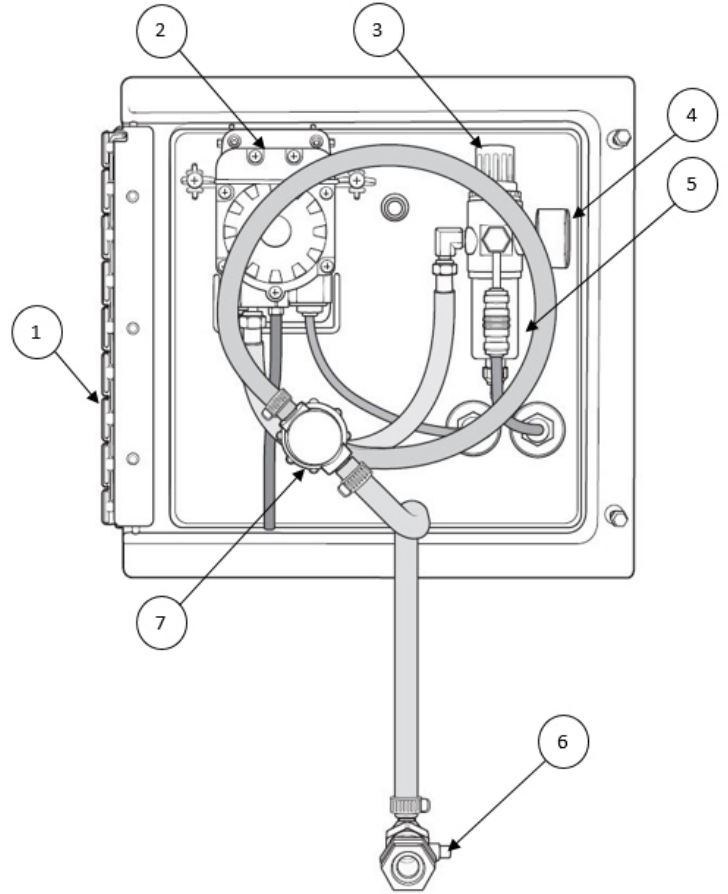
Operating the air compressor in wet weather or in wet conditions may result in electrical shock, serious injury or death. Always place the unit (air compressor) in an area away from the misting direction. DO NOT touch the air compressor, electrical or extension cords if your hands or feet are wet.

- Servicing, or modification, of this unit with parts not listed in this manual may cause the unit to operate improperly. Do not use unauthorized parts when servicing the unit.
- Use of an air lubricator before the unit may result in diminished performance and damage to the unit. Do not use an air lubricator before the unit.
- Moisture in the air lines will damage the pump and diminish the pumps life. The air must be filtered, clean, dry and free of moisture. If needed, install an air dryer before the unit.
- Using an excessively long or thin-wired extension cord will cause severe damage to the motor. Always use a 3-wire extension cord that has a 3-blade grounding plug and is no more than 25 ft. long and at least 14 gauge.
- Operating the air compressor motor with excessive, or insufficient, electrical supply (i.e.: low voltage and/or an overloaded circuit) can cause the air compressor motor's overload protection system circuit breaker to trip. Refer to the serial label for voltage and amperage requirements. Ensure the electrical supply supports the air compressor motor's requirements. For best results use a dedicated circuit.

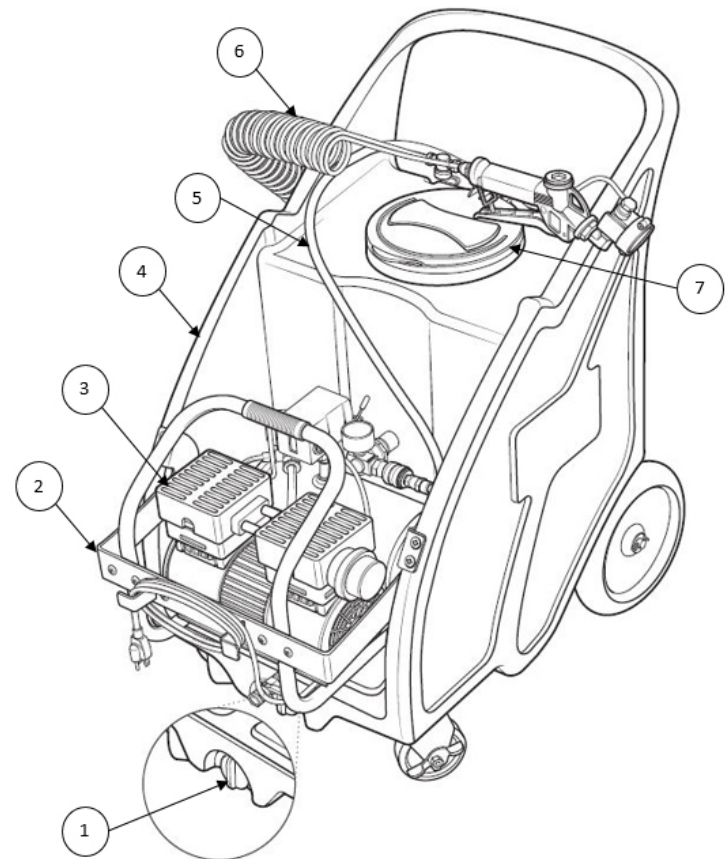
MACHINE OVERVIEW

(Page 1 of 2)

1	Hinged Back Plate
2	Pump w/ Santoprene seals
3	Air Regulator
4	Air Pressure Gauge
5	Quick Disconnect Fitting w/ Check Valve
6	Suction Line Valve
7	In-Line Strainer



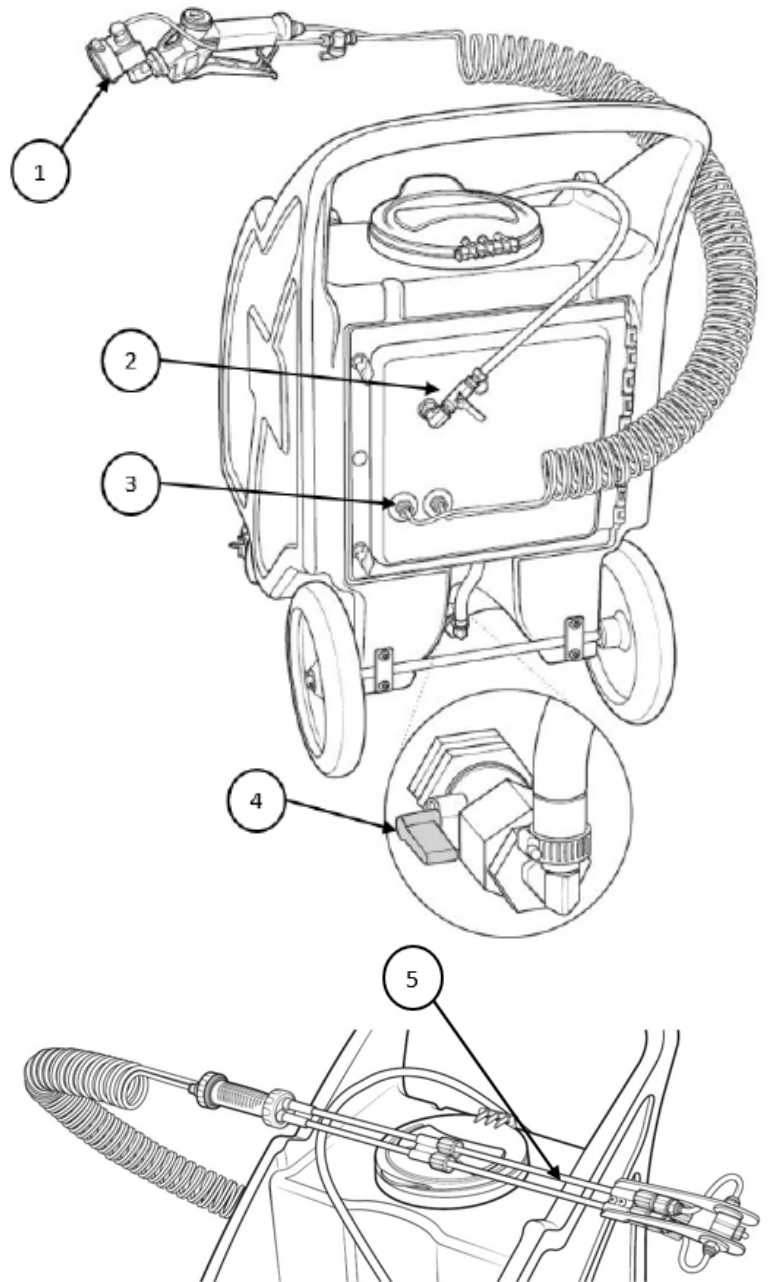
1	Drain Plug
2	Air Compressor Bracket
3	120 VAC Air Compressor
4	Tank
5	Air Supply Line
6	25 Ft. Coiled Tubing Assembly
7	Hinged Cap Assembly



MACHINE OVERVIEW

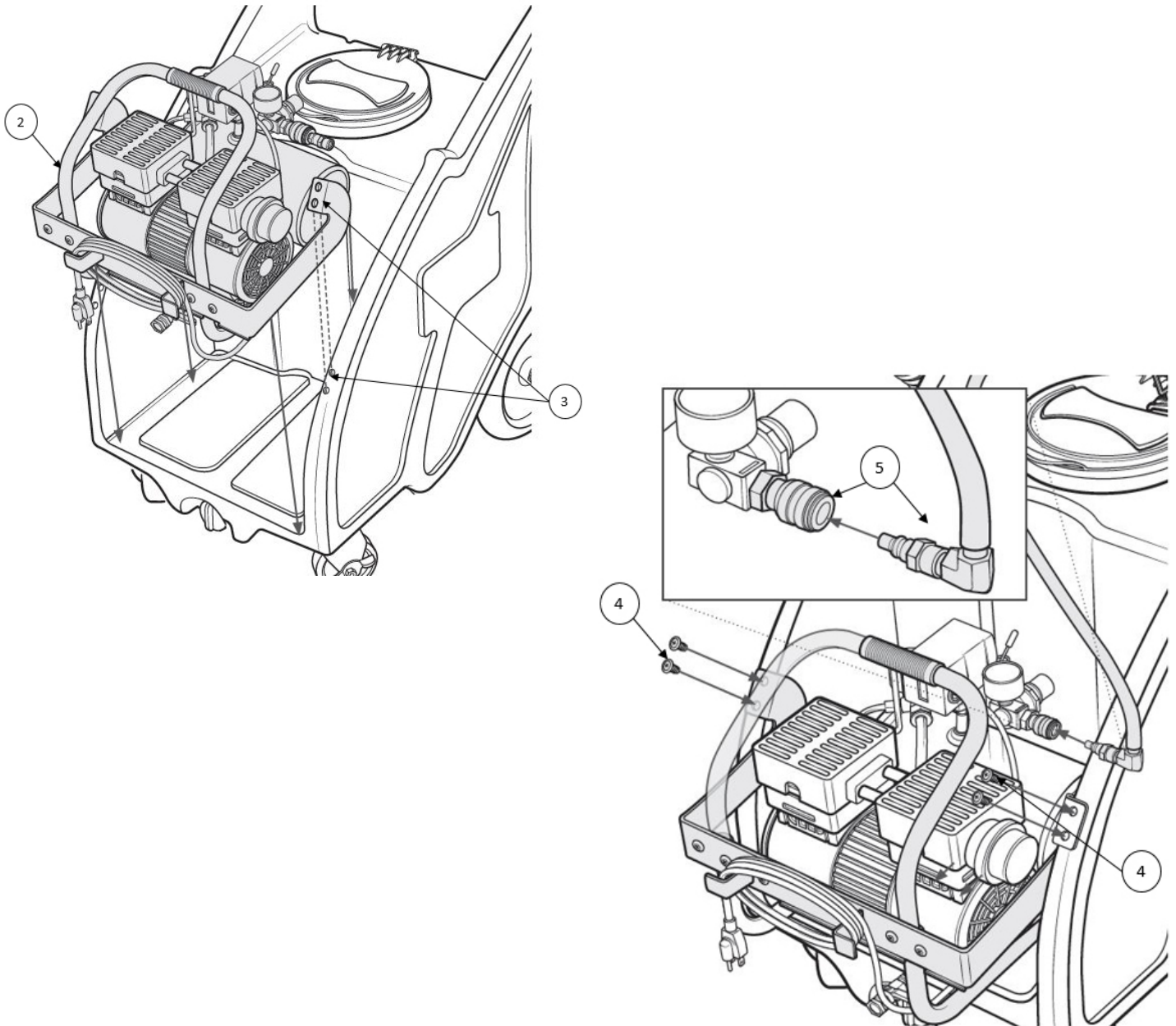
(Page 2 of 2)

1	Standard PSG-N130 Wand Assembly
2	Air Inlet Valve
3	1/4 In. Bulkhead Fittings
4	Suction Line Valve
5	Extended MGA-RAC-N130 Wand Assembly



ASSEMBLY

1. Unpackage all components and discard all packaging.
2. Remove the compressor bracket from tank. Save screws to re-attach compressor in next step.
3. Attach compressor bracket to compressor using include plastic clamps, 1/4-20 screws, and lock nuts.
4. Place the compressor and pre-assembled compressor bracket into the mounting cavity.
5. Align the holes on the compressor bracket with the holes on the tank.
6. Secure the compressor bracket to the tank using the supplied hardware.
7. Attach the 1/4 in. blue air hose from the back of the unit to the air compressor using the quick connect fittings.



OPERATION

MACHINE USE

1. Follow all instructions from the chemical manufacturer and fill the tank with a ready-to-use solution or mix to the chemical manufacturer instructions.

Caution: Do not spill the solution onto the air compressor.

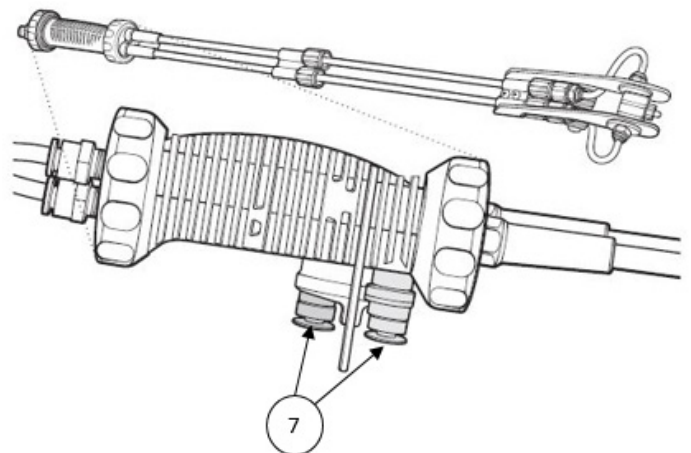
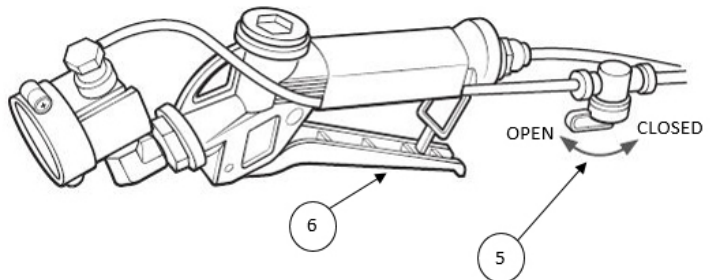
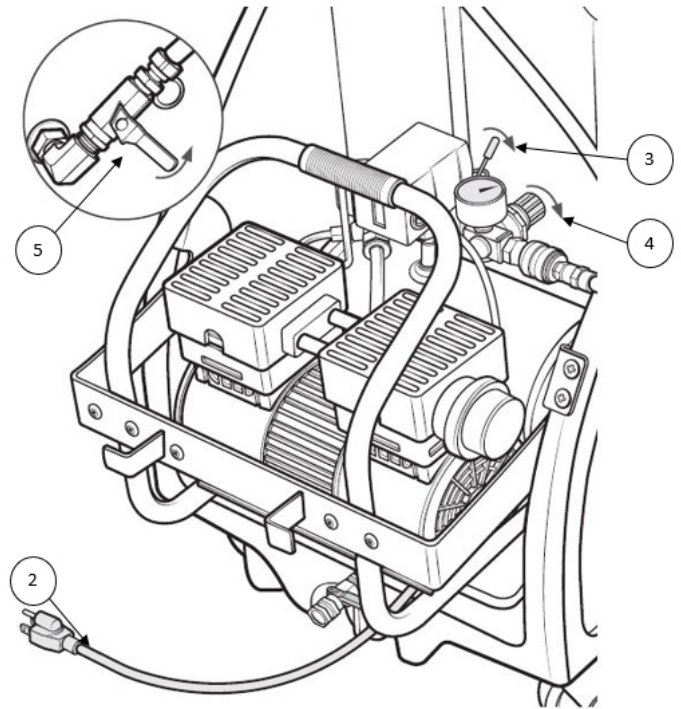
2. Plug the unit in to a 120 VAC GFCI protected power outlet.
3. Turn the power switch ON to start the air compressor.
4. Set the pressure setting to 85 psi.
5. Verify that the air shut-off valve at the trigger gun is in the closed position and open the air inlet valve on the back plate.
6. **Standard PSG-N130 Wand:** Point the discharge wand in a safe direction and open the air shut-off valve at the trigger gun. Then squeeze the trigger handle to begin misting.

Note: Both discharge valves should be completely open while misting.

7. **Extended MGA-RAC-N130 Wand:** Point the discharge wand in a safe direction and press the red and blue discharge trigger buttons at the same time to begin misting.

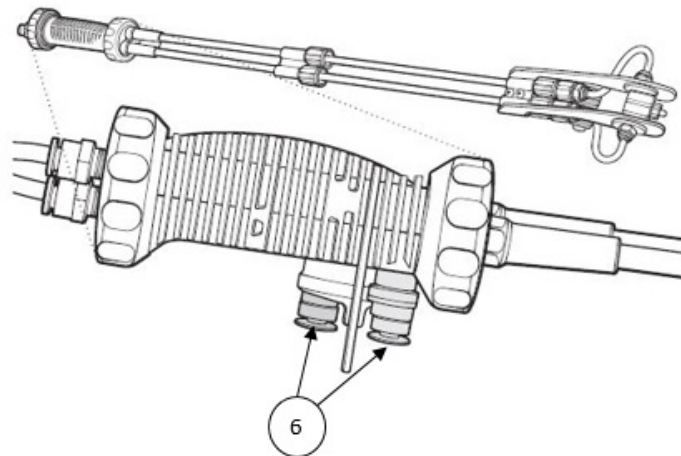
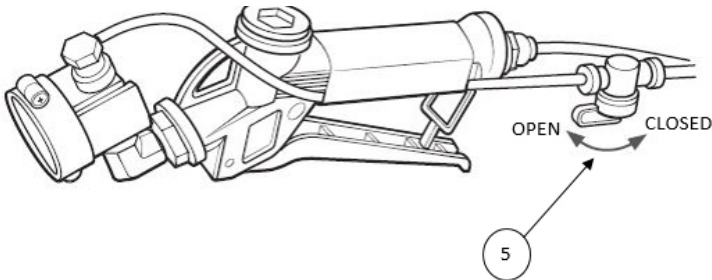
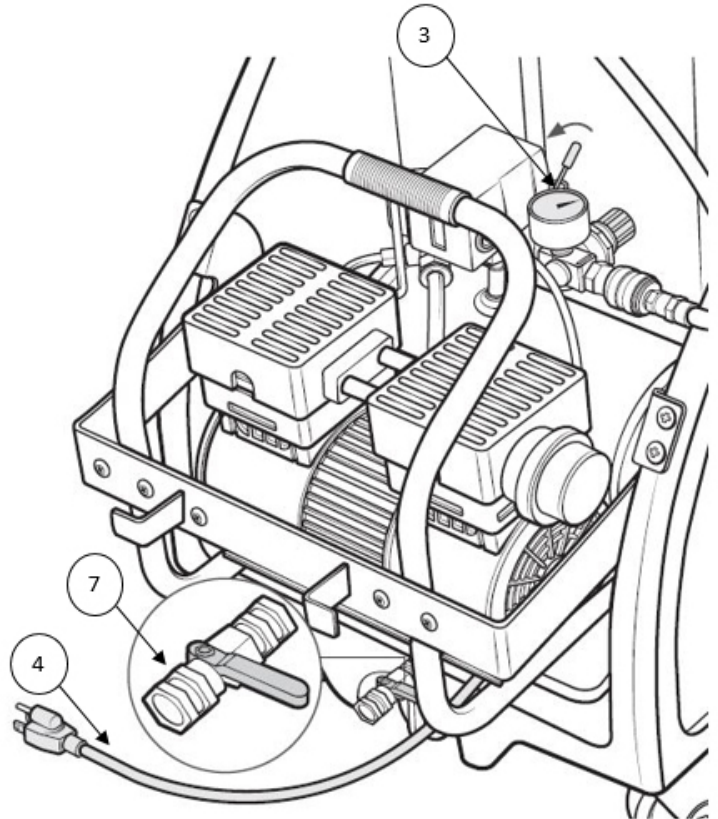
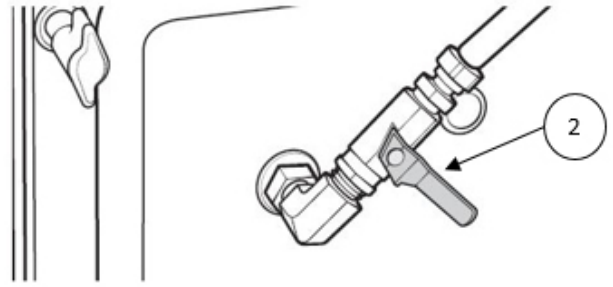
Note: Both discharge buttons should be completely open while misting.

8. To stop misting, release the red and blue discharge trigger buttons.



AFTER USE INSTRUCTIONS

1. Flush the unit with fresh water for 5 minutes.
2. Shut off the air supply to the unit by closing the air inlet valve on the back plate.
3. Turn the power switch OFF to shut off the air compressor.
4. Unplug the air compressor.
5. **Standard PSG-N130 Wand:** Press the red and blue trigger buttons to relieve any pressure remaining in the unit. Once pressure is relieved, release both trigger buttons.
6. **Extended MGA-RAC-N130 Wand:** Open the air shut-off valve at the trigger gun and squeeze the trigger handle to relieve any pressure remaining in the unit. Once pressure is relieved, release the trigger handle and close the air shut-off valve at the trigger gun.
7. Depressurize and drain the air compressor tank by opening the ball valve on the compressor tank.



TROUBLESHOOTING GUIDE

MACHINE TROUBLESHOOTING

ISSUE	SOLUTION
Air passes through the pump without cycling	If air passes through the pump (687001) without cycling, the pump needs to be replaced.
The solution backs up into the air regulator	If solution backs up into the air regulator, the check valve (683302) needs to be replaced.
The unit operates at a reduced pressure	Check the discharge tubing to ensure that there are no kinks that could obstruct fluid flow.
	Check for proper air pressure on the air gauge and adjust the air regulator if needed. The air regulator is factory set at 50 psi. Operating pressure is 50 psi.
	Check the air compressor (682401) to confirm sufficient air pressure is being supplied.
	If the air supply is 50 psi (3.4 bar) or above, check the air gauge, which should read near 50 psi (3.4 bar). If the air gauge reads more or less than 50 psi (3.4 bar), adjust the pressure by turning the knob on the top of the air regulator. Check the chemical suction line and strainer for debris or damage. Clean or replace as needed. To prevent damage to the unit, the strainer (688501) must always be used.

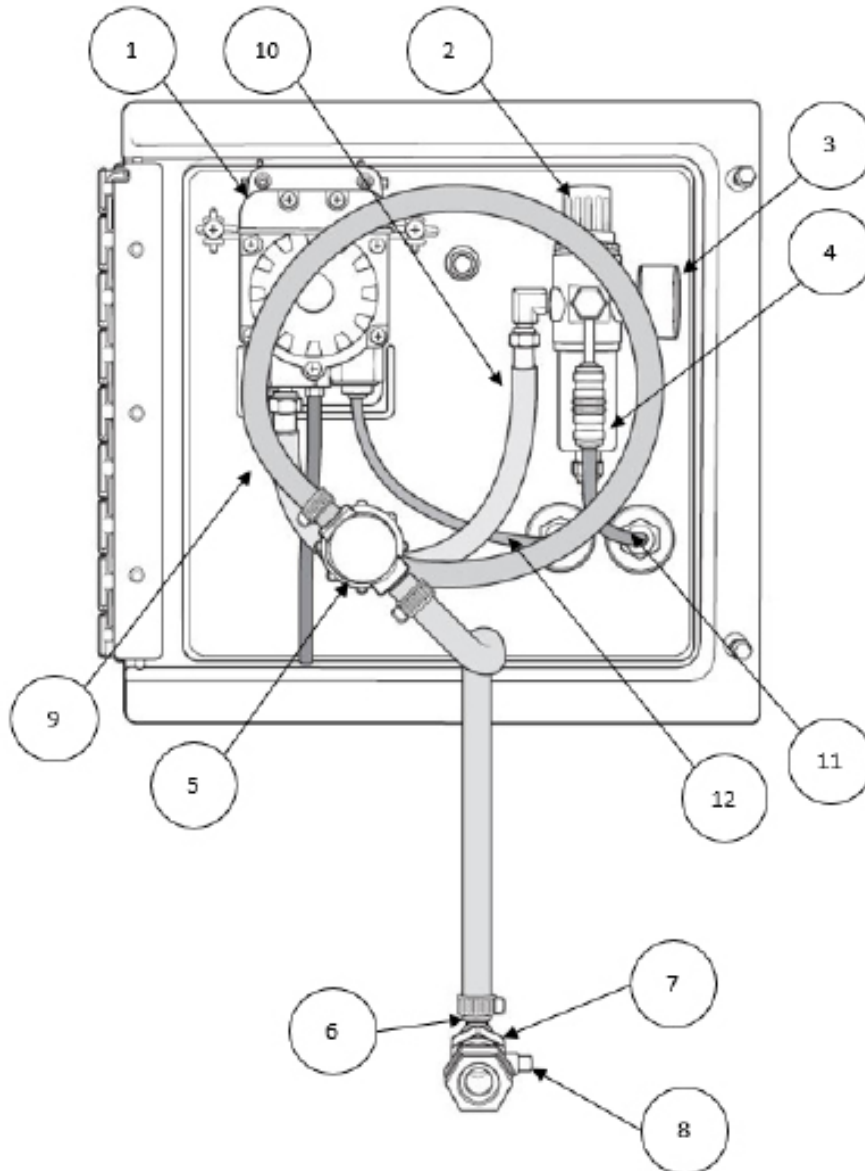
AIR COMPRESSOR TROUBLESHOOTING

ISSUE	POTENTIAL CAUSE	SOLUTION
The compressor stopped and does not start.	Overloaded because of motor overheating.	Check that the main voltage corresponds to specifications. An extension cord that is too thin or too long can cause a voltage drop and cause the motor to overheat. Allow the motor to cool down. Use heavy duty extension cords. Insure that the compressor is plugged into a socket as close as possible to the consumer unit or fuse box.
	Motor windings are burned out.	Contact Technical Service.
The motor does not start and makes a humming noise.	Low voltage supply to the motor.	Check that the main voltage corresponds to specifications. An extension cord that is too thin or too long can cause a voltage drop and cause the motor to overheat. Allow the motor to cool down. Use heavy duty extension cords. Insure that the compressor is plugged into a socket as close as possible to the consumer unit or fuse box
The compressor is noisy with metallic clangs.	Compressor head gasket broken or valve plate faulty.	Stop the compressor and contact the dealer.
	Compressor has a worn or broken piston ring.	Stop the compressor and contact the dealer.
	Compressor has a worn or broken cylinder ring.	Stop the compressor and contact the dealer.

PARTS

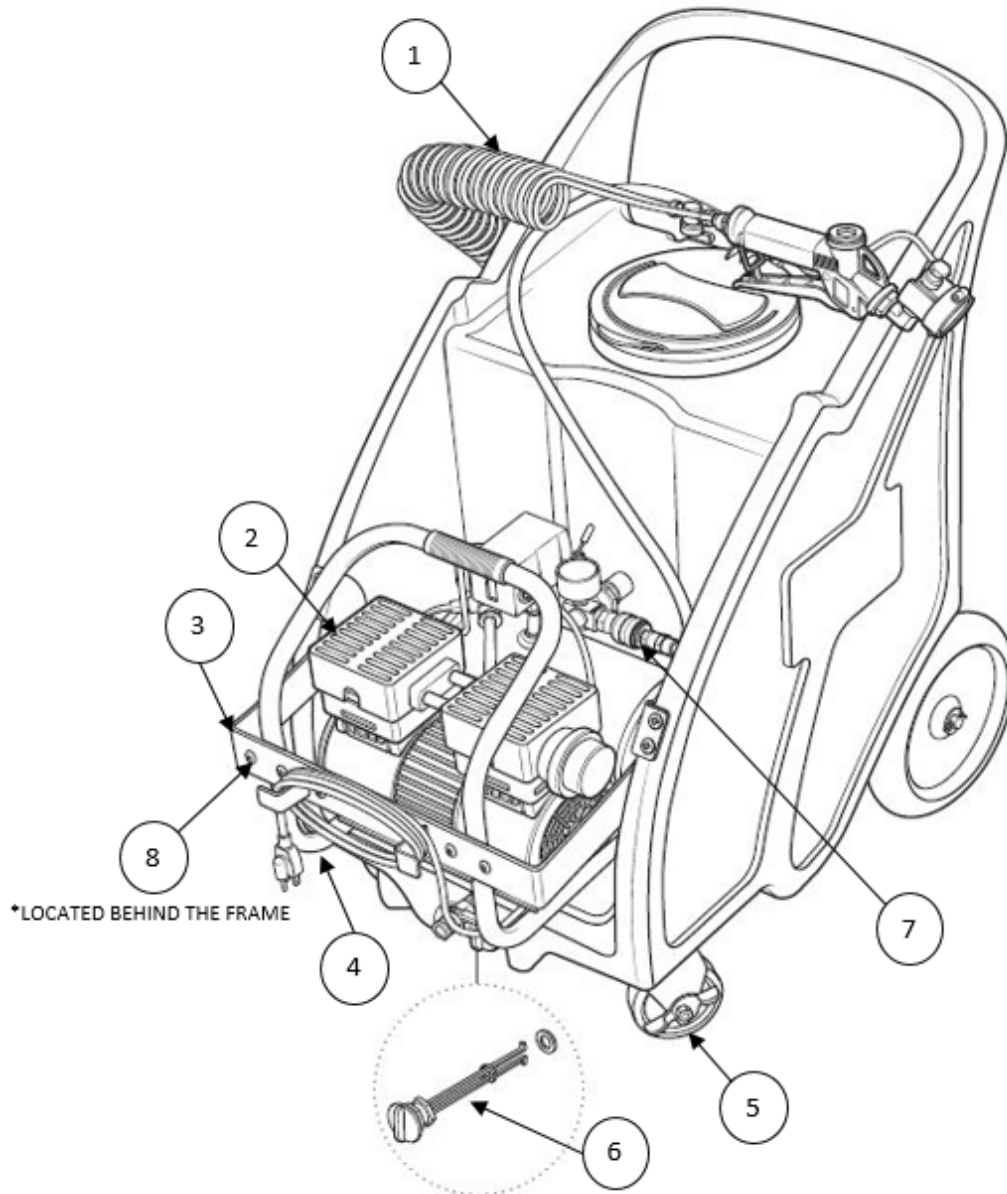
BACK PANEL

ITEM	PART NUMBER	DESCRIPTION
1	687001	PUMP - SANTOPRENE SEALS W FITTINGS
2	687501	REGULATOR AIR W/ FILTER
3	683801	GAUGE DUAL SCALE MODEL 20 1.5IN
4	683302	FITTING CHECK QD 1/4 TUBE - 1/4 TUBE
5	688501	STAINER IN-LINE MESH SS
6	683303	FITTING HOSE ELBOW 1/4 MPT - 3/8 BARB SS
7	681101	BUSHING HEX 3/4 MPT - 1/4 FPT
8	689402	VALVE PVC 3/4 FPT - 3/4 MPT
9	684104	HOSE TPE BLUE 3/8 IN X 3 FT H38B-F
10	684101	HOSE TPE BLUE 1/4 IN X 4FT H14B-F
11	684102	HOSE POLY BLUE 1/4 IN X 3 FT H14BU
12	684103	HOSE POLY RED 1/4 IN X 2 FT H14RU



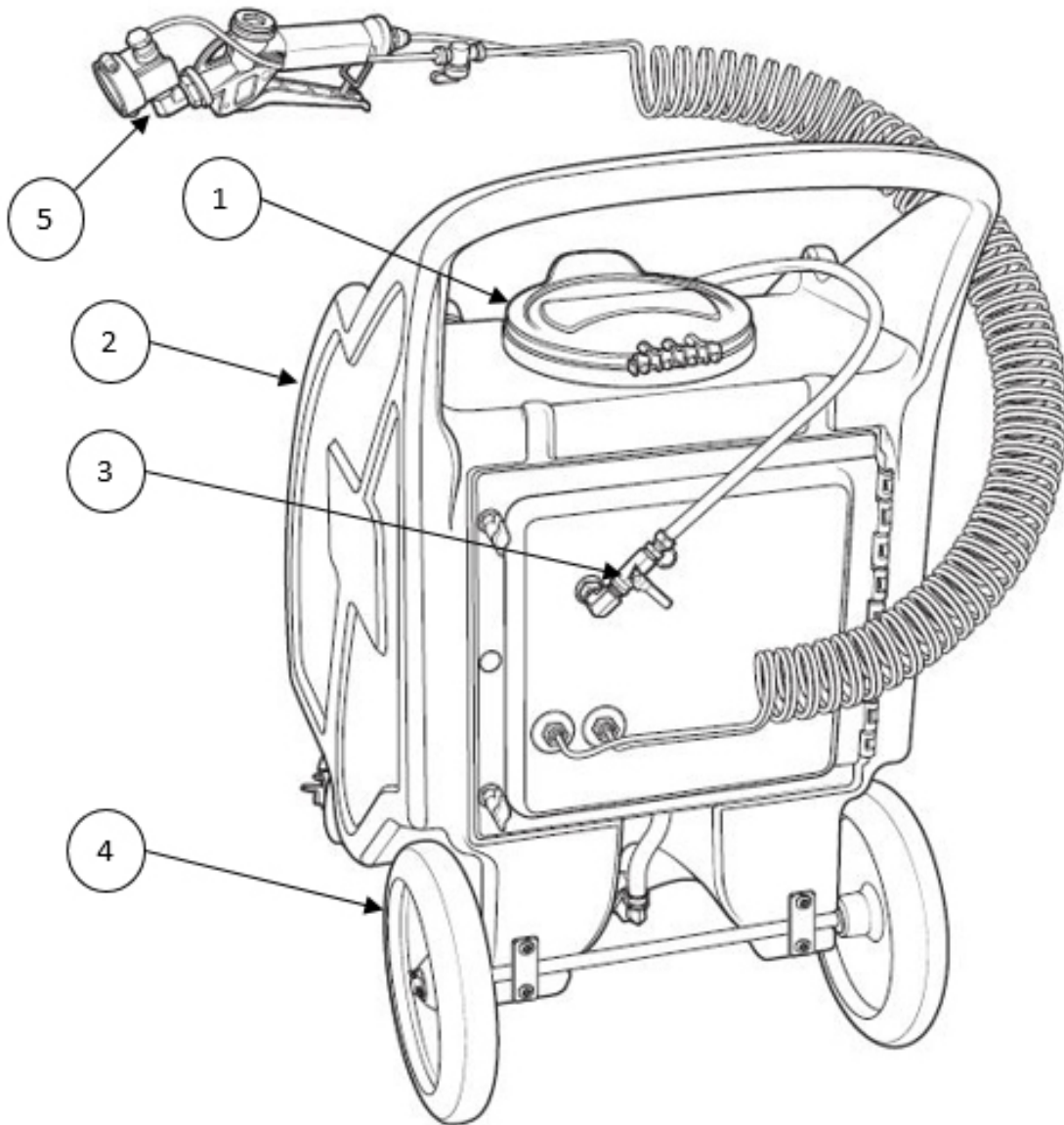
PARTS MACHINE - FRONT

ITEM	PART NUMBER	DESCRIPTION
1	689002	TUBE ASSY 25FT RED & BLUE
	689001	TUBE ASSY H14TRB-100 100FT RED & BLUE
	689003	TUBE ASSY H14TRB-150 150FT RED & BLUE
2	682401	COMPRESSOR AIR 120V 1HP
3	680801	BRACKET AIR COMPRESSOR SS
4	689701	WHEEL CASTER SWIVEL 5IN S.S. NON-LOCKING
5	689702	WHEEL CASTER SWIVEL 5IN S.S. LOCKING
6	686801	PLUG ASSEMBLY DRAIN
7	683301	FITTING AIR 1/4 MPT - PLUG BRASS PLATED
8	682001	CLAMP CONDUIT 1/2 IN NON-METALLIC - SEE NOTE



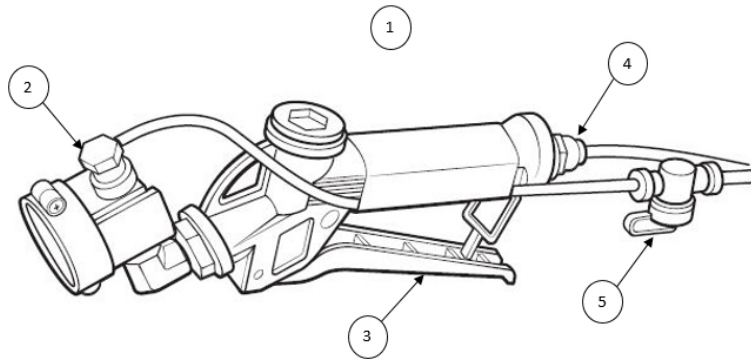
PARTS MACHINE - REAR

ITEM	PART NUMBER	DESCRIPTION
1	681501	CAP ASSEMBLY HINGED 7IN
2	688601	TANK 15 GAL NATURAL
3	689401	VALVE AIR INLET 1/4 MPT - 1/4 MPT
4	689703	WHEEL 10IN NON-MARKING
5	688802	TOOL PSG-N130 GUN ASSEMBLY

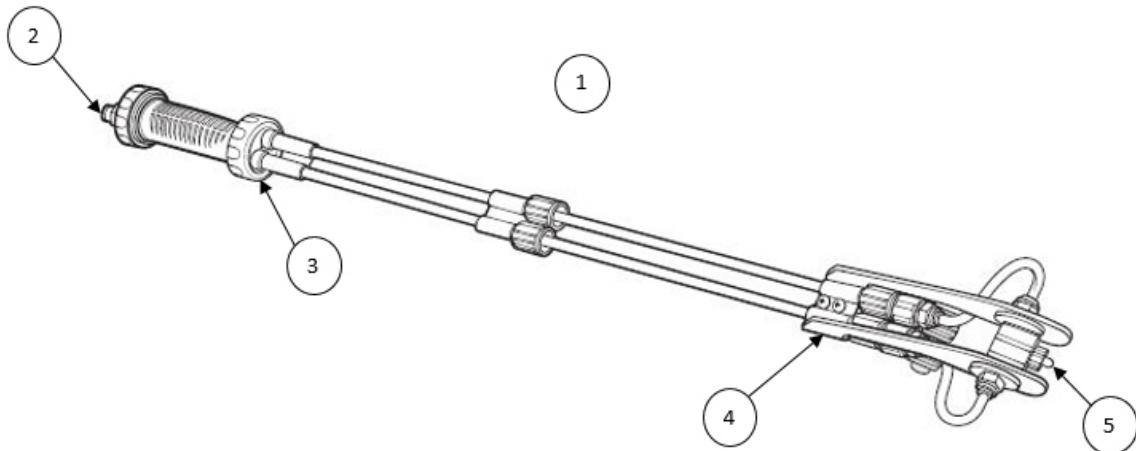


PARTS WAND ASSEMBLIES

ITEM	PART NUMBER	DESCRIPTION
1	688802	TOOL PSG-N130 GUN ASSEMBLY
2	685701	NOZZLE FOG 3.7 GAL/HR PFN-N130
3	688804	TOOL BODY PSG WAND W/ HANDLE
4	683305	FITTING QD 1/2 MPT X 1/4 OD TUBE
5	689403	VALVE SHUT OFF 1/4 TUBE



ITEM	PART NUMBER	DESCRIPTION
1	688801	TOOL MGA-RAC-N130 WAND ASSEMBLY
2	683304	FITTING QD 1/8 MPT - 1/4 OD TUBE SS
3	688803	TOOL BODY MGA-RAC-N130
4	680802	BRACKET NOZZLE SS
5	685701	NOZZLE FOG 3.7 GAL/HR PFN-N130



THIS PAGE INTENTIONALLY LEFT BLANK

WARRANTY

Pacific Floorcare warrants to the original purchaser only (“Buyer”) that each mister shall be free from defect in material and workmanship upon delivery.

Pacific Floorcare warrants to the original purchaser only (“Buyer”) that each mister shall be free from defect in material and workmanship upon delivery. Pacific Floorcare’s liability is limited to repair or replacement of parts at the discretion of Pacific Floorcare and/or the factory authorized service centers, transportation prepaid (Buyer expense).

Pacific Floorcare **equipment used in commercial applications has a limited warranty of 12 months (one year)** parts and labor.

ITEMS NOT COVERED BY WARRANTY INCLUDE, BUT ARE NOT LIMITED TO:

- Damage resulting from accidents, abuse, misuse or acts of God (lightning, flood, etc.).
- Damage in transit (rental units).
- Failure due to lack of proper maintenance or care.
- Relatively minor adjustments such as tightening of screws or bolts, etc. not connected with the replacement of parts.
- Repairs or alterations by an organization other than the factory or an authorized Pacific Floorcare service center.
- Normal wear and tear items such as handles, wheels, nozzles, hoses, filters, cords, shall not be consider a defect in workmanship or materials.

“This warranty covers all defects in workmanship and material for the warranty period. The warranty does not cover any damage resulting from any misuse, abuse or neglect of the product or any parts needing replacement due to normal wear and usage.”

The substitution of the pump or air compressor under warranty will therefore be affected only in case of production defect (this has to be verified by the authorized Pacific Floorcare service centers). If, after inspection of the returned machine or any part or parts, Pacific determines that the defect is not covered by the warranty, all expenses incurred by Pacific Floorcare in connection with the replacement or repair if the machine or any parts thereof shall be at the buyer’s responsibility. Any parts returned to Pacific Floorcare for replacement shall become the property of Pacific Floorcare.

In no event shall Pacific Floorcare be liable for any indirect, special, incidental, consequential or other damages including but not limited to damage or loss of property or equipment, lost revenues or profits, claims of customers, or harm to goodwill or business reputation directly or indirectly arising from the sale, handling or use of the mister, or from any other costs relating thereto and Pacific Floorcare’s liability hereunder. Pacific Floorcare shall not be liable to the buyer for any claims, damages, injures, actions, or causes of action whatsoever based on negligence or strict liability. Pacific Floorcare makes no warranty that its mister shall be merchantable or that such machine shall be fit for any particular purpose. Moreover Pacific Floorcare makes no expressed or implied warranties except for the limited warranty set forth herein. In addition no representation or warranty, expressed or implied, made by any dealer, sales representative, or field agent of Pacific Floorcare which is not specifically set forth herein shall be binding on Pacific Floorcare. Genuine Pacific Floorcare replacement parts shall be free from defects in material and workmanship for a period of 90 days after “installation” and shall be subject in all respects to the limitations and exclusions of this limited warranty.



PACIFIC[®]
F L O O R C A R E

PURPOSE BUILT.[®]

www.pacificfloorcare.com