



SW26

Walk-behind Vacuum Sweeper Part List & Exploded View



FIGURE 1

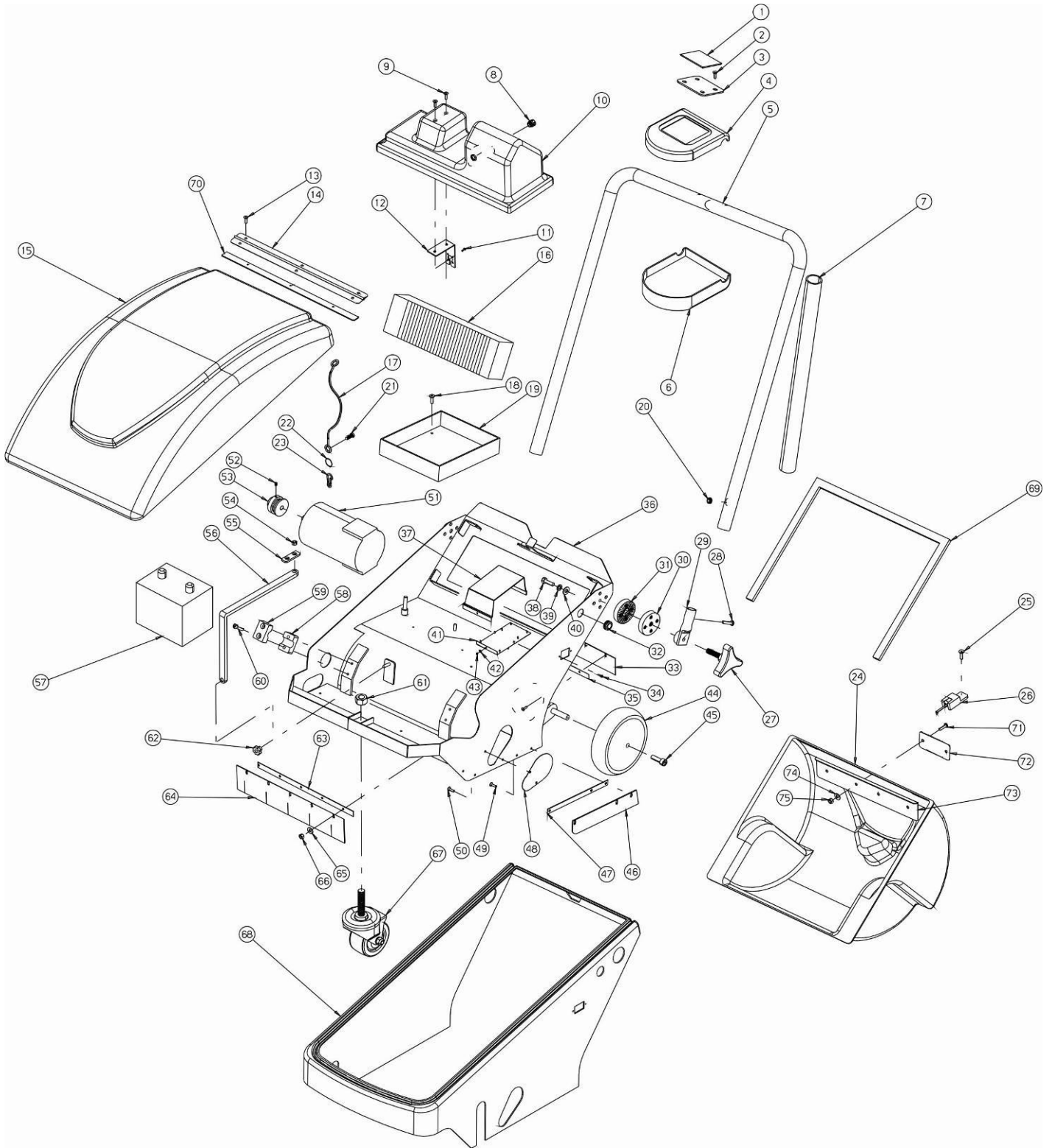
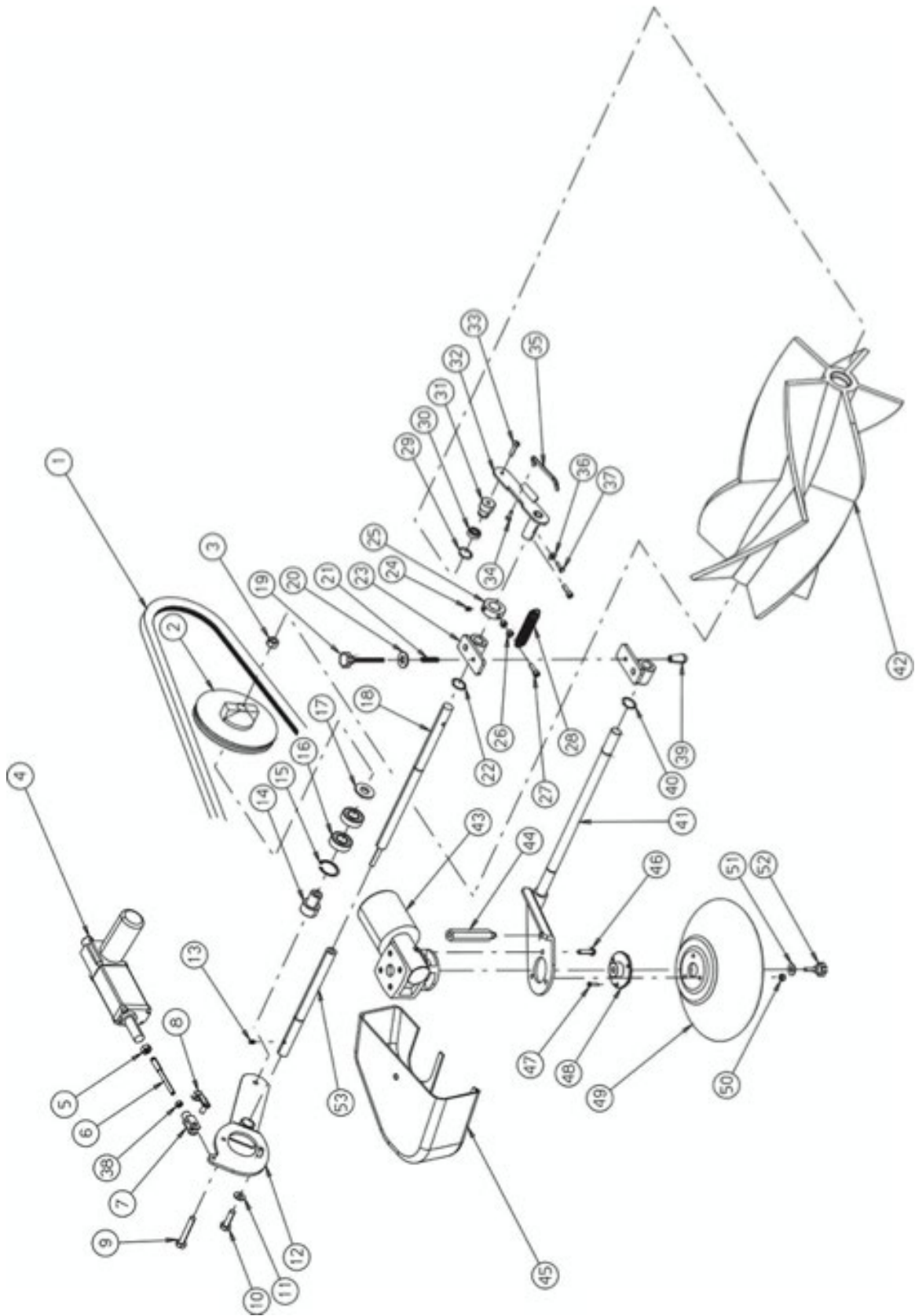


FIGURE 2



Reference	Part Number	Quantity	Description
Figure 1 001	315119	1	BOARD LABEL
Figure 1 002	318527	4	SCREW TC 3.5X13 STAIN
Figure 1 003	316102	1	BOARD PLATE FOR S464
Figure 1 004	312304	1	UPPER COVER FOR CONTR
Figure 1 005	313902	1	HANDLE
Figure 1 006	312305	1	LOWER COVER FOR CONTR
Figure 1 007	312315	2	RUBBER PROTECTION L=4
Figure 1 008	317201	2	CABLE RETAINER
Figure 1 009	318534	2	SCREW M6x12
Figure 1 010	312306	1	VACUUM MOTOR COVER
Figure 1 011	318541	4	SCREW T/C M3x8 UNI 76
Figure 1 012	310811	1	BRACKET FOR FILTER-SH
Figure 1 013	318525	6	SCREW TC 4.2x19 UNI 6
Figure 1 014	314506	1	HINGE FOR UPPER HOOD
Figure 1 015	312302	1	COVER FOR UPPER HOOD
Figure 1 016	313302	1	VACUUM FILTER WITH GA
Figure 1 017	312406	1	HOOD CABLE
Figure 1 018	318543	2	SCREW
Figure 1 019	319206	1	BATTERY TRAY
Figure 1 020	313804	1	FAIRLEAD
Figure 1 021	318526	2	SCREW TC 3.9x6.5 INOX
Figure 1 022	317301	1	30mm DIAM. RING-CLOSE
Figure 1 023	314503	1	HOOK FOR HOOD CABLE
Figure 1 024	314502	1	DIRT HOPPER
Figure 1 025	318540	2	SCREW
Figure 1 026	315401	1	PPL HOOK
Figure 1 027	315009	2	KNOB M8x30
Figure 1 028	318529	2	SCREW
Figure 1 029	318567	2	HANDLE SUPPORT
Figure 1 030	314505	2	HINGE FOR HANDLE ROTA
Figure 1 031	314504	2	HINGE FOR HANDLE ROTA
Figure 1 032	313805	1	FAIRLEAD
Figure 1 033	311201	1	REAR BUMPER
Figure 1 034	318532	2	SCREW M4x20 INOX
Figure 1 035	311204	1	FILLET REAR BUMPER
Figure 1 036	313202	1	MINI-SWEEPER BASIC FRAME
Figure 1 037	312307	1	COVER FOR ELECTRIC SY
Figure 1 038	318538	8	SCREW
Figure 1 039	319817	8	INOX WASHER
Figure 1 040	319808	8	INOX WASHER
Figure 1 041	318501	1	ELECTRIC SYSTEM SUPPO
Figure 1 042	319806	1	INOX WASHER
Figure 1 043	315704	1	SELF-LOCKING NUT
Figure 1 044	319701	2	REAR WHEEL
Figure 1 045	318530	2	SCREW M5x50
Figure 1 046	311202	2	SIDE BUMPER RIGHT/LEF
Figure 1 047	311205	2	BUMPER LISTEL

Figure 1	048	312314	1	RUBBER PROTECTION
Figure 1	049	318545	16	SCREW M6x16 UNI 7688
Figure 1	050	318544	2	SCREW
Figure 1	051	315202	1	CENTRAL BRUSH MOTOR
Figure 1	052	312705	2	STAINLESS STEEL DOWEL
Figure 1	053	316907	1	TRACTION MOTOR PULLEY
Figure 1	054	315705	1	INOX SELF-LOCKING NUT
Figure 1	055	316103	1	CLOSING PLATE FOR REA
Figure 1	056	311302	1	FIXING BATTERY BELT L
Figure 1	057	311301	1	BATTERY
Figure 1	058	318568	2	SHAFT SUPPORT
Figure 1	059	318569	1	MACHINED SUPPORT SHAF
Figure 1	060	318531	8	SCREW
Figure 1	061	315706	1	INOX SELF-LOCKING NUT
Figure 1	062	315006	1	KNOB
Figure 1	063	311206	1	LISTEL FRONT BUMPER
Figure 1	064	311203	1	FRONT BUMPER
Figure 1	065	319808	5	INOX WASHER
Figure 1	066	315702	5	STAINLESS STEEL NUT
Figure 1	067	319702	1	CASTER WHEEL
Figure 1	068	312303	1	MACHINE COVER
Figure 1	069	313401	1	INNER GASKET FOR DUST
Figure 1	070	315111	1	REINFORCEMENT LISTEL
Figure 1	071	318535	2	SCREW
Figure 1	072	310802	1	EXTERNAL STRENGTHENING SHEET
Figure 1	073	310801	1	INTERNAL STRENGTHENING SHEET
Figure 1	074	319816	4	WASHER
Figure 1	075	315705	4	INOX NUT
Figure 2	001	311303	1	BELT L=610
Figure 2	002	316908	1	CENTRAL BRUSH PULLEY
Figure 2	003	315705	1	INOX SELF-LOCKING NUT
Figure 2	004	314901	1	BRUSH LIFTING SCREWJA
Figure 2	005	315703	1	INOX NUT
Figure 2	006	318575	1	SCREWJACK STRAINER
Figure 2	007	314903	1	JOINT
Figure 2	008	316707	1	PIN WITH SPRING
Figure 2	009	318539	1	SCREW M6x70 UNI 5737/
Figure 2	010	318537	2	SCREW
Figure 2	011	319807	2	INOX WASHER
Figure 2	012	315102	1	CENTRAL BRUSH LEVEL (
Figure 2	013	312703	1	DOWEL
Figure 2	014	311102	1	RIGHT BUSHING
Figure 2	015	312104	1	SEEGER RING
Figure 2	016	311305	2	BEARING
Figure 2	017	319808	1	INOX WASHER
Figure 2	018	317702	1	CENTRAL BRUSH SHAFT
Figure 2	019	315008	1	KNOB M6x70
Figure 2	020	319808	1	INOX WASHER
Figure 2	021	318303	1	SQUEEGEE SPRING

Figure 2 022	312102	2	SEEGER RING
Figure 2 023	315103	2	SIDE BRUSH LIFTING LE
Figure 2 024	312703	1	DOWEL
Figure 2 025	318201	1	SPACER FOR SIDE BRUSH
Figure 2 026	315701	4	INOX NUT
Figure 2 027	318529	2	SCREW
Figure 2 028	318302	1	BRAKE SPRING
Figure 2 029	312103	1	CLIP SEGEER
Figure 2 030	311304	1	BALL BEARING
Figure 2 031	311101	1	BUSHING
Figure 2 032	315101	1	CENTRAL BRUSH LEVER (
Figure 2 033	318533	1	SCREW
Figure 2 034	318542	2	SCREW
Figure 2 035	313901	1	COVER HANDLE
Figure 2 036	319807	1	INOX WASHER
Figure 2 037	318536	1	SCREW
Figure 2 038	315702	1	STAINLESS STEEL NUT
Figure 2 039	313311	1	FOOT
Figure 2 040	312102	2	SEEGER RING
Figure 2 041	317701	1	SIDE BRUSH SHAFT (RIG
Figure 2 042	310904	1	CENTRAL BRUSH
Figure 2 043	315203	1	SIDE BRUSH GEAR MOTOR
Figure 2 044	318202	1	SPACER FOR COVER
Figure 2 045	312301	1	SIDE BRUSH COVER
Figure 2 046	318533	3	SCREW
Figure 2 047	318528	3	SCREW
Figure 2 048	313301	1	SIDE BRUSH FLANGE
Figure 2 049	310903	1	SIDE BRUSH
Figure 2 050	315705	3	INOX SELF-LOCKING NUT
Figure 2 051	319806	1	INOX WASHER
Figure 2 052	315007	1	KNOB M4x20
Figure 2 053	317703	1	CENTRAL BRUSH SHAFT
	312907	1	CONTROL BOARD CARD
	312908	1	TRANSFORMER 220V/24V
	312411	1	SOCKET
	312414	1	SOCKET
	312421	1	EUROPE CABLE
	312422	1	CABLE 2x0.75 2m JAPAN
	312403	1	CABLE
	312404	1	CABLE
	316801	2	RED PLUG 50A
	312405	1	CABLE
	311301	1	BATTERY
	312401	1	CABLE
	312906	1	ELECTRONIC CONTROL CA
	312402	1	CABLE
	312416	1	2-WAY-CONNECTOR
	312415	1	2-WAY-CONNECTOR
	312413	1	CONNECTOR
	312412	1	CONNECTOR
	312410	2	2-POLE-CONNECTOR

	312409	2	2-POLE-CONNECTOR
	314901	1	BRUSH LIFTING SCREWJA
	315201	1	FILTER-SHAKER MOTOR
	313001	1	VACUUM FAN
	315203	1	SIDE BRUSH GEAR MOTOR