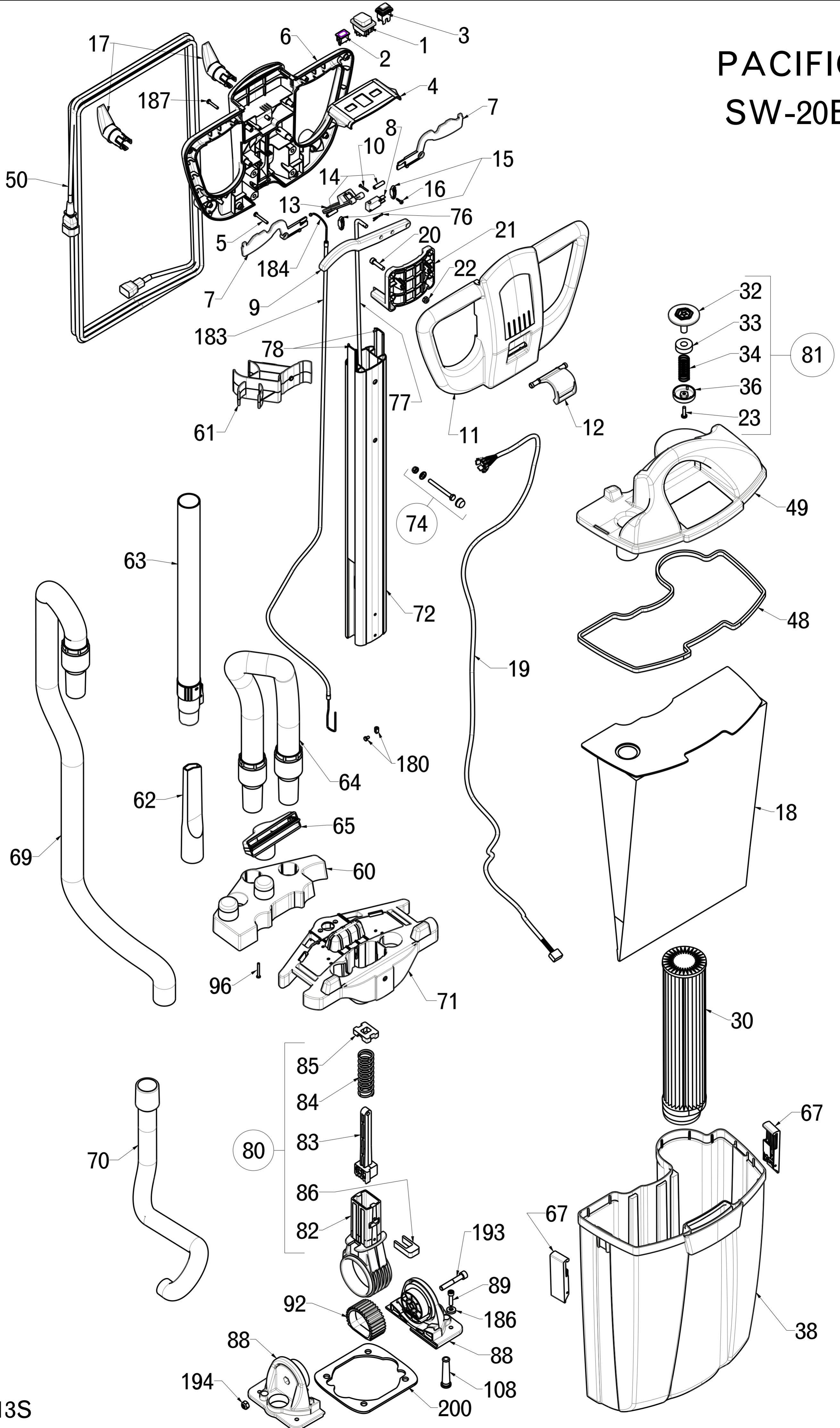
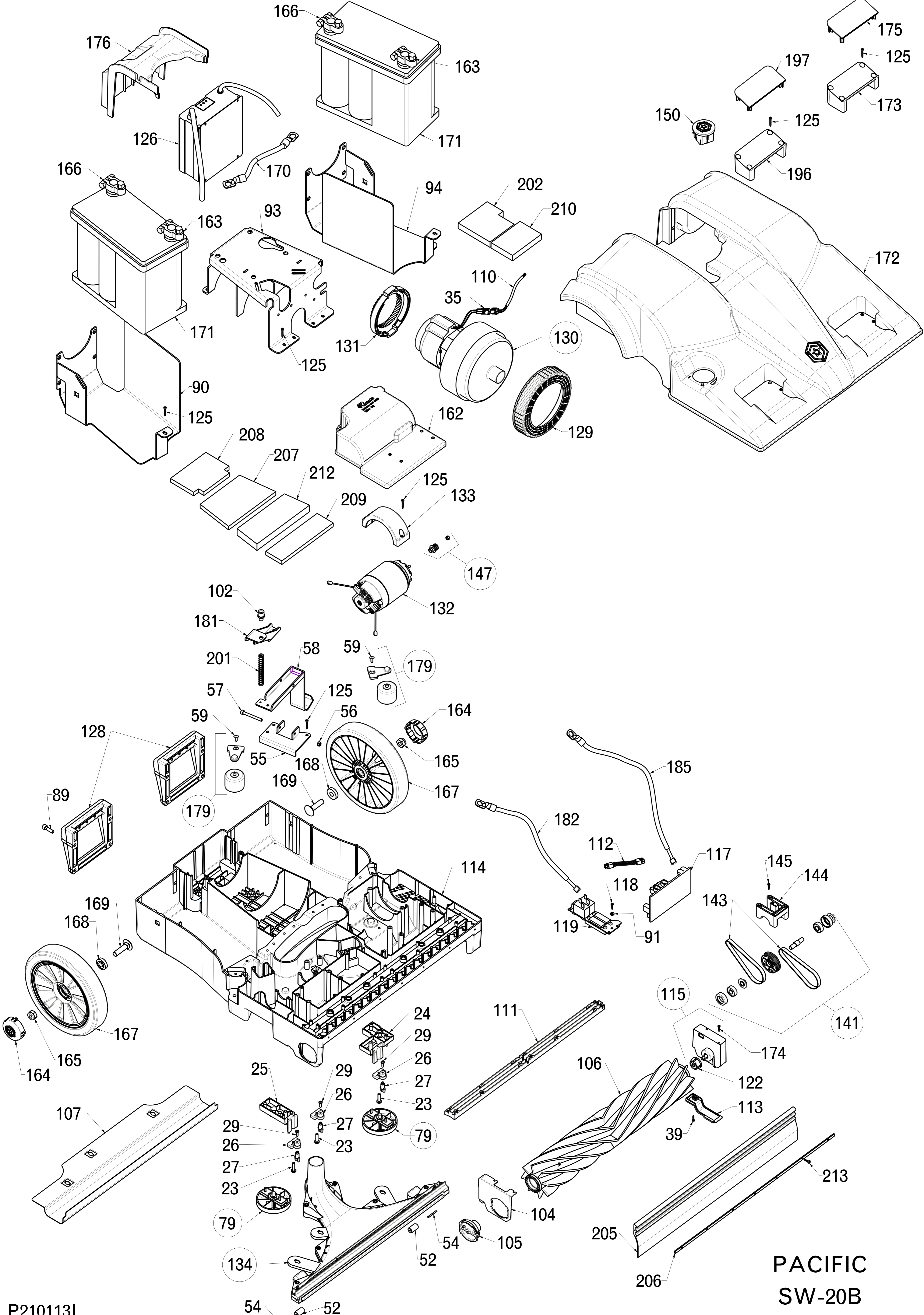


# PACIFIC SW-20B





PACIFIC  
SW-20B

PACIFIC PN	Column1	DESCRIPTION	MODEL	ITEM
678516		MAIN SWITCH	SW-20B Hybrid	1
674802		INDICATOR LIGHT V.24	SW-20B Hybrid	2
678521		VACUUM SWITCH	SW-20B Hybrid	3
676300		SWITCHES PLATE	SW-20B Hybrid	4
678532		SCREW 3,9x25 (WRAPPING OF 20 PCS)	SW-20B Hybrid	5
673902		REAR HANDLE	SW-20B Hybrid	6
675102		LEVER SWITCH BRUSH MOTOR BLUE	SW-20B Hybrid	7
678518		MICROSWITCH BRUSH MOTOR	SW-20B Hybrid	8
675103		JOINT LEVER BLUE	SW-20B Hybrid	9
678525		SCREW 2,9x19 (WRAPPING OF 20 PCS)	SW-20B Hybrid	10
673915		HANDLE FRONT	SW-20B Hybrid	11
674503		HOOK FRONT TANK	SW-20B Hybrid	12
675106		LEVER BASE LIFTING	SW-20B Hybrid	13
675110		AXLE LIFTING LEVER (WRAPPING OF 20 PCS)	SW-20B Hybrid	14
672000		CORD CLAMP	SW-20B Hybrid	15
678533		SCREW 2,9x16 (WRAPPING OF 20 PCS)	SW-20B Hybrid	16
674502		ROTATING CORD HOOK	SW-20B Hybrid	17
673309		MICROPORE 16LT FILTER BAG (WRAPPING OF 5 PCS)	SW-20B Hybrid	18
672410		CORD 7 WIRES (HYBRID)	SW-20B Hybrid	19
678561		SCREW M6x25 (WRAPPING OF 20 PCS)	SW-20B Hybrid	20
673903		HANDLE BRIDGE BLUE	SW-20B Hybrid	21
675704		NUT M6 AB (WRAPPING OF 20 PCS)	SW-20B Hybrid	22
678569		SCREW 4,8x22 (WRAPPING OF 20 PCS)	SW-20B Hybrid	23
679704		WHEEL SUPPORT RIGHT	SW-20B Hybrid	24
679705		WHEEL SUPPORT LEFT	SW-20B Hybrid	25
678505		SUPPORT CLIP	SW-20B Hybrid	26
678572		RED CLIP + SCREWS (WRAP. OF 20 PCS)	SW-20B Hybrid	27
678549		SCREW 3,5x13 (WRAPPING OF 20 PCS)	SW-20B Hybrid	29
673303		MOTOR PROTECTION FILTER	SW-20B Hybrid	30
677002		SHAKER PRONG	SW-20B Hybrid	32
673408		SHAKER GASKET	SW-20B Hybrid	33
678306		SHAKER SPRING	SW-20B Hybrid	34
679801		WIRES + CONNECTOR VAC MOTOR hybrid	SW-20B Hybrid	35
677003		SHAKER PLATE	SW-20B Hybrid	36
674214		BAG HOUSING	SW-20B Hybrid	38
678542		SCREW 3,5x16 (WRAPPING OF 20 PCS)	SW-20B Hybrid	39
673417		GASKET TOP HANDLE	SW-20B Hybrid	48
673905		TOP HANDLE BAG HOUSING BLUE	SW-20B Hybrid	49
672414		CORD 3x18 12,5 MT. USA PLUG YELLOW	SW-20B Hybrid	50
679706		SIDE WHEEL	SW-20B Hybrid	52
677700		SHAFT	SW-20B Hybrid	54
678510		LIFTING SUPPORT	SW-20B Hybrid	55
675708		NUT M5 (WRAPPING OF 20 PCS)	SW-20B Hybrid	56
678578		SCREW M5x45 (WRAPPING OF 20 PCS)	SW-20B Hybrid	57
675107		LIFTING LEVER	SW-20B Hybrid	58
678569		SCREW 4,8x22 (WRAPPING OF 20 PCS)	SW-20B Hybrid	59
674000		ACCESSORY HOLDER	SW-20B Hybrid	60
674504		ACCESSORY HOOK	SW-20B Hybrid	61
678800		CREVICE TOOL	SW-20B Hybrid	62
678801		TELESCOPIC WAND	SW-20B Hybrid	63
674100		EXTENSION HOSE WITH SLEEVES	SW-20B Hybrid	64
678806		UPHOLSTERY TOOL WITH BRISTLES	SW-20B Hybrid	65
674505		KIT SIDE HOOK	SW-20B Hybrid	67
674104		HOSE L.1210 mm	SW-20B Hybrid	69
674103		HOSE L. 570 mm	SW-20B Hybrid	70
678504		SUPPORT TANKS	SW-20B Hybrid	71
678803		WAND ALUMINUM	SW-20B Hybrid	72
678576		SCREW 6x60 + NUT (WRAPPING OF 20 PCS)	SW-20B Hybrid	74
676700		BLOCK PIN (WRAPPING OF 20 PCS)	SW-20B Hybrid	76
671206		BAR RELEASE JOINT	SW-20B Hybrid	77
672317		EXTRUDED WAND COVER	SW-20B Hybrid	78
679710		WHEEL KIT	SW-20B Hybrid	79
674901		JOINT KIT	SW-20B Hybrid	80
678577		SHAKER KIT	SW-20B Hybrid	81
674900		JOINT	SW-20B Hybrid	82
671313		BLOCK JOINT	SW-20B Hybrid	83
678304		SPRING JOINT	SW-20B Hybrid	84
673803		GUIDE SPRING	SW-20B Hybrid	85
671314		PLATE BLOCK SPRING	SW-20B Hybrid	86
678573		SUPPORT JOINT KIT (2 PCS)	SW-20B Hybrid	88
678568		SCREW M6x20 (WRAPPING OF 20 PCS)	SW-20B Hybrid	89
676600		MOUNTING PLATE LEFT	SW-20B Hybrid	90
679807		WASHER 4,3 D12 (WRAPPING OF 20 PCS)	SW-20B Hybrid	91
674600		METAL TEETH INSERT	SW-20B Hybrid	92
676601		MOUNTING CENTRAL PLATE	SW-20B Hybrid	93
676602		MOUNTING RIGHT PLATE	SW-20B Hybrid	94
678543		SCREW 3,5x22 (WRAPPING OF 20 PCS)	SW-20B Hybrid	96

PACIFIC PN	Column1	DESCRIPTION	MODEL	ITEM
673806		ANTIWEAR CORD GUIDE (WRAPPING OF 20 PCS)	SW-20B Hybrid	102
678509		SUPPORT SIDE METAL	SW-20B Hybrid	104
678574		BRUSH SUPPORT KIT WITH BEARING	SW-20B Hybrid	105
670904		BRUSH ROLLER BRISTLE 0,25 BLACK	SW-20B Hybrid	106
670905		BRUSH ROLLER BRISTLE 0,40 STRONG - RED	SW-20B Hybrid	106
675600		DCS STAINLESS STEEL CONVERTER	SW-20B Hybrid	107
677500		STRAIN RELIEF V.100/120/240 D.8	SW-20B Hybrid	108
679004		WIRES PROTECTION TUBE	SW-20B Hybrid	110
672318		CHANEL COVER	SW-20B Hybrid	111
679800		BOARDS CONNECTION WIRES	SW-20B Hybrid	112
672313		COVER TRANSMISSION	SW-20B Hybrid	113
671332		BASE	SW-20B Hybrid	114
678559		TRANSMISSION SUPPORT CPL.	SW-20B Hybrid	115
671326		CIRCUIT CONTROL BOARD V.24	SW-20B Hybrid	117
678544		SCREW 3,9x22 (WRAPPING OF 20 PCS)	SW-20B Hybrid	118
673329		FUSES CIRCUIT BOARD V.24	SW-20B Hybrid	119
672701		DRIVE JOINT BASE	SW-20B Hybrid	122
678579		SCREW 4,8x45 (WRAPPING OF 20 PCS)	SW-20B Hybrid	125
671324		CHARGER BATTERY 24V	SW-20B Hybrid	126
673904		HANDLE REAR	SW-20B Hybrid	128
673401		GASKET SUCTION GROUP	SW-20B Hybrid	129
675204		VACUUM MOTOR R31ALSS V.24 CC W.360 HYBRID	SW-20B Hybrid	130
672300		GASKET FAN COVER	SW-20B Hybrid	131
670915		BRUSH MOTOR R77MP V.24 CC W.150	SW-20B Hybrid	132
671304		BRIDGE BRUSH MOTOR	SW-20B Hybrid	133
675707		SUCTION NOZZLE COMPLETE	SW-20B Hybrid	134
676907		DOUBLE PULLEY KIT	SW-20B Hybrid	141
671312		TIMING BELT 8,5 MM	SW-20B Hybrid	143
671305		BRIDGE DOUBLE TRANSMISSION	SW-20B Hybrid	144
678529		SCREW 3,5x32 (WRAPPING OF 20 PCS)	SW-20B Hybrid	145
677010		PINION + NUT LW46-L550	SW-20B Hybrid	147
671500		CAP WITH LOGO	SW-20B Hybrid	150
672314		COVER MOTOR - CIRCUIT BOARD	SW-20B Hybrid	162
671310		BATTERY POLE -	SW-20B Hybrid	163
672325		COVER REAR WHEELS BLUE (WRAPPING OF 2)	SW-20B Hybrid	164
675705		NUT M10 AB (WRAPPING OF 20 PCS)	SW-20B Hybrid	165
671309		BATTERY POLE +	SW-20B Hybrid	166
679707		REAR WHEEL D.200	SW-20B Hybrid	167
678200		SPACER REAR WHEEL (WRAPPING OF 20 PCS)	SW-20B Hybrid	168
678570		SCREW WHEEL M10x45 (WRAPPING OF 20 PCS)	SW-20B Hybrid	169
672413		BATTERY - BATTERY CABLE	SW-20B Hybrid	170
671325		BATTERY OPTIMA YT S 2.7 12V	SW-20B Hybrid	171
672326		BASE COVER WITH BLUE LOGO	SW-20B Hybrid	172
673906		FRONT HANDLE RIGHT	SW-20B Hybrid	173
678549		SCREW 3,5x13 (WRAPPING OF 20 PCS)	SW-20B Hybrid	174
672315		COVER FRONT HANDLE RIGHT BLUE	SW-20B Hybrid	175
672327		COVER BATTERY CHARGER	SW-20B Hybrid	176
678560		SIDE WHEELS BLUE, SUPPORT, SCREW (WRAP. OF 2PCS.)	SW-20B Hybrid	179
671315		CORD BLOCK	SW-20B Hybrid	180
676603		SUPPORT PLATE	SW-20B Hybrid	181
672412		BATTERY-BOARD CABLE BLACK	SW-20B Hybrid	182
673804		CORD PROTECTION GUIDE	SW-20B Hybrid	183
672406		FLEX STEEL CORD	SW-20B Hybrid	184
672411		BATTERY-BOARD CABLE RED	SW-20B Hybrid	185
679808		WASHERS 6x18 (WRAPPING OF 20 PCS)	SW-20B Hybrid	186
678541		SCREW 3,9x32 (WRAPPING OF 20 PCS)	SW-20B Hybrid	187
678571		SCREW M8x50 (WRAPPING OF 20 PCS)	SW-20B Hybrid	193
675706		NUT M8 AB (WRAPPING OF 20 PCS)	SW-20B Hybrid	194
673907		FRONT HANDLE LEFT	SW-20B Hybrid	196
672316		COVER FRONT HANDLE LEFT BLUE	SW-20B Hybrid	197
673407		JOINT GASKET	SW-20B Hybrid	200
678303		SPRING BASE LIFTING	SW-20B Hybrid	201
674800		SOUND INSULATION	SW-20B Hybrid	202
671311		BALLAST PB	SW-20B Hybrid	203
671210		FRONT BUMPER	SW-20B Hybrid	205
676604		STAINLESS STEEL PLATE	SW-20B Hybrid	206
673321		FILTER INTAKE COOLING AIR	SW-20B Hybrid	207
673322		FILTER EXHAUST COOLING AIR	SW-20B Hybrid	208
673323		FILTER EXHAUST SUCTION AIR	SW-20B Hybrid	209
674801		SOUND INSULATION	SW-20B Hybrid	210
673324		FOAM FILTER BASE	SW-20B Hybrid	212
678531		SCREW 3,9x13 (WRAPPING OF 20 PCS)	SW-20B Hybrid	213
673304		Motor protection hepa filter washable	SW-20B Hybrid	
673305		Cloth washable filter bag (3 per pack)	SW-20B Hybrid	