



RSW28

Rider Vacuum Sweeper

Part List & Exploded View



Figure 1

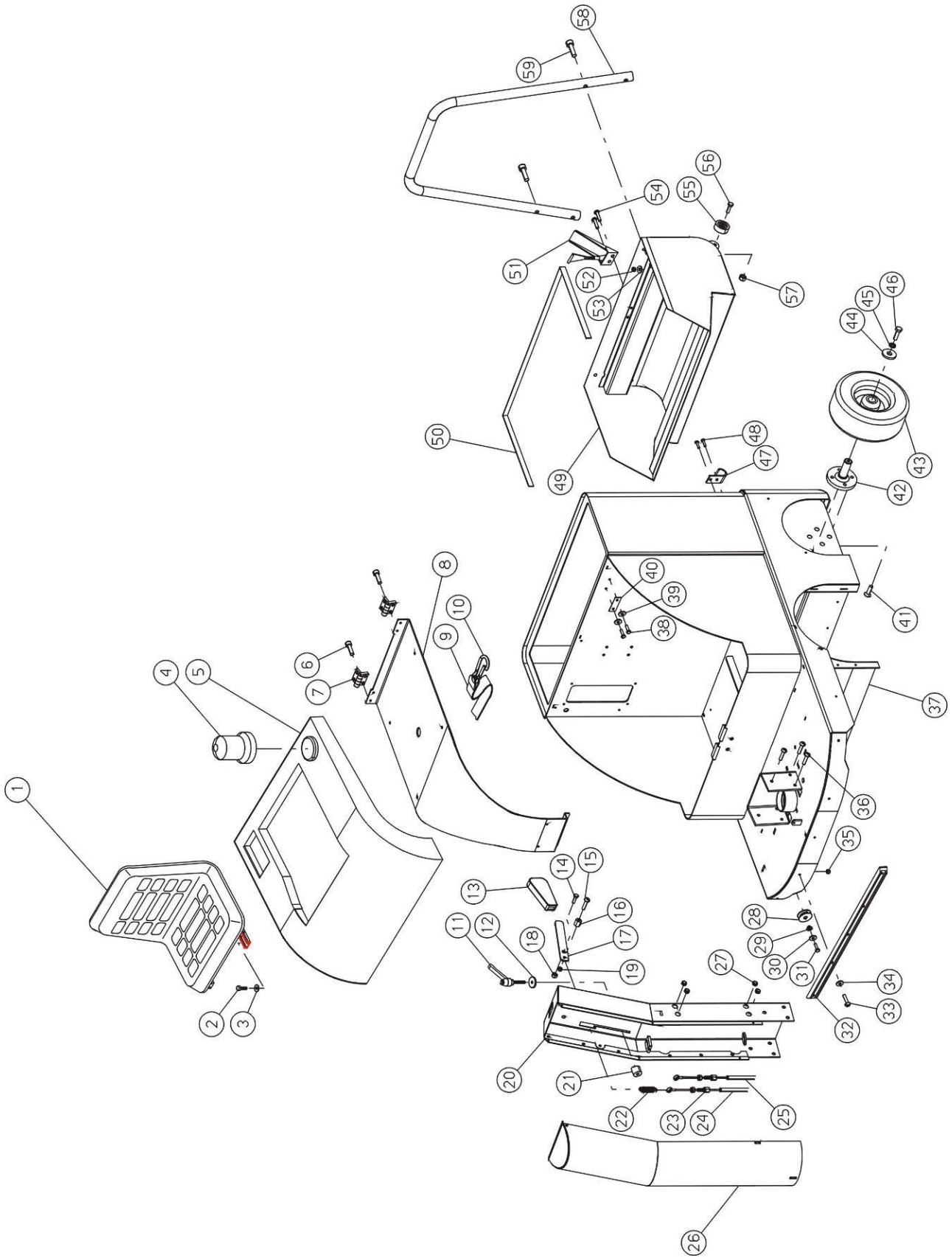


Figure 2

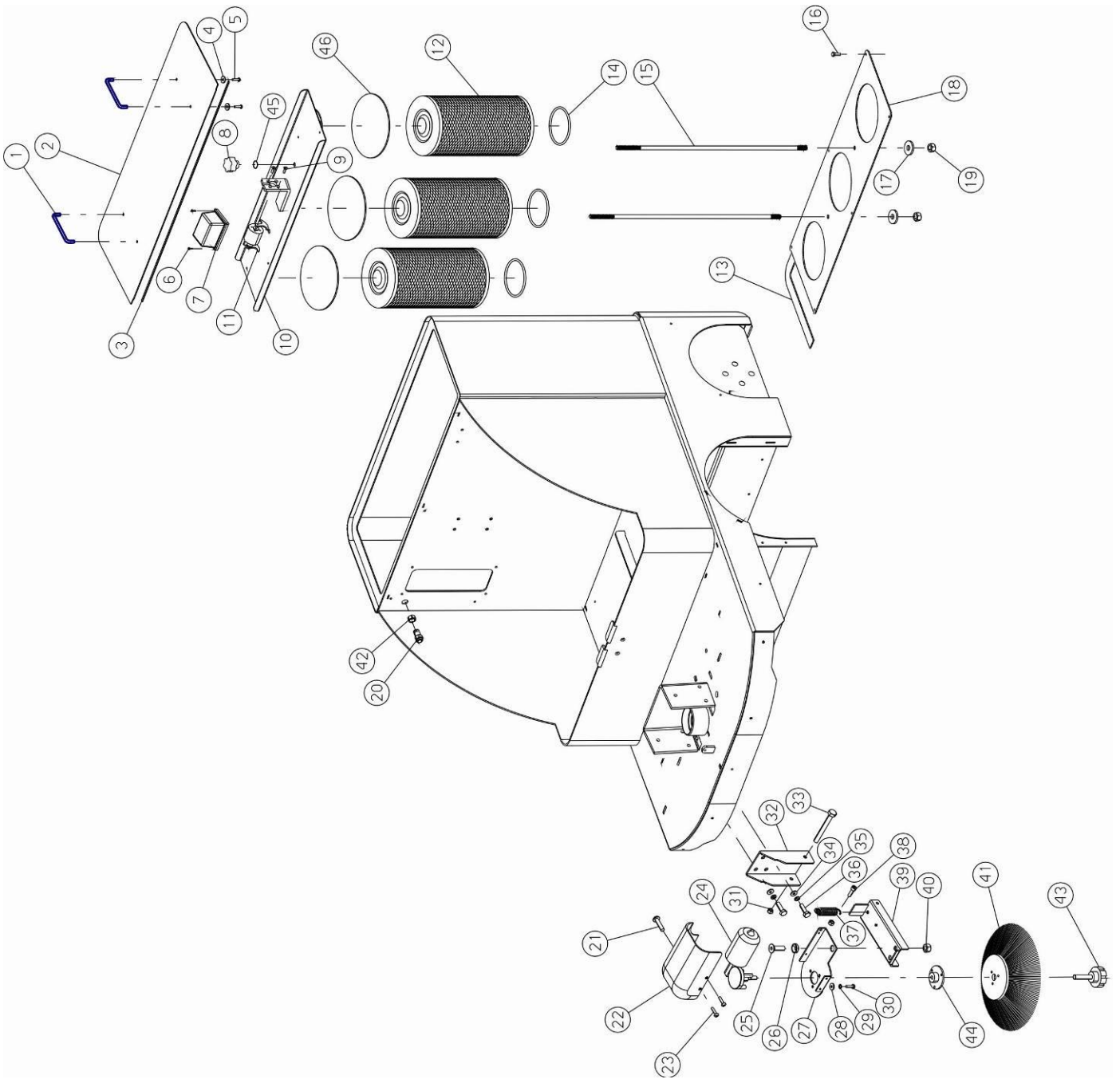


Figure 3

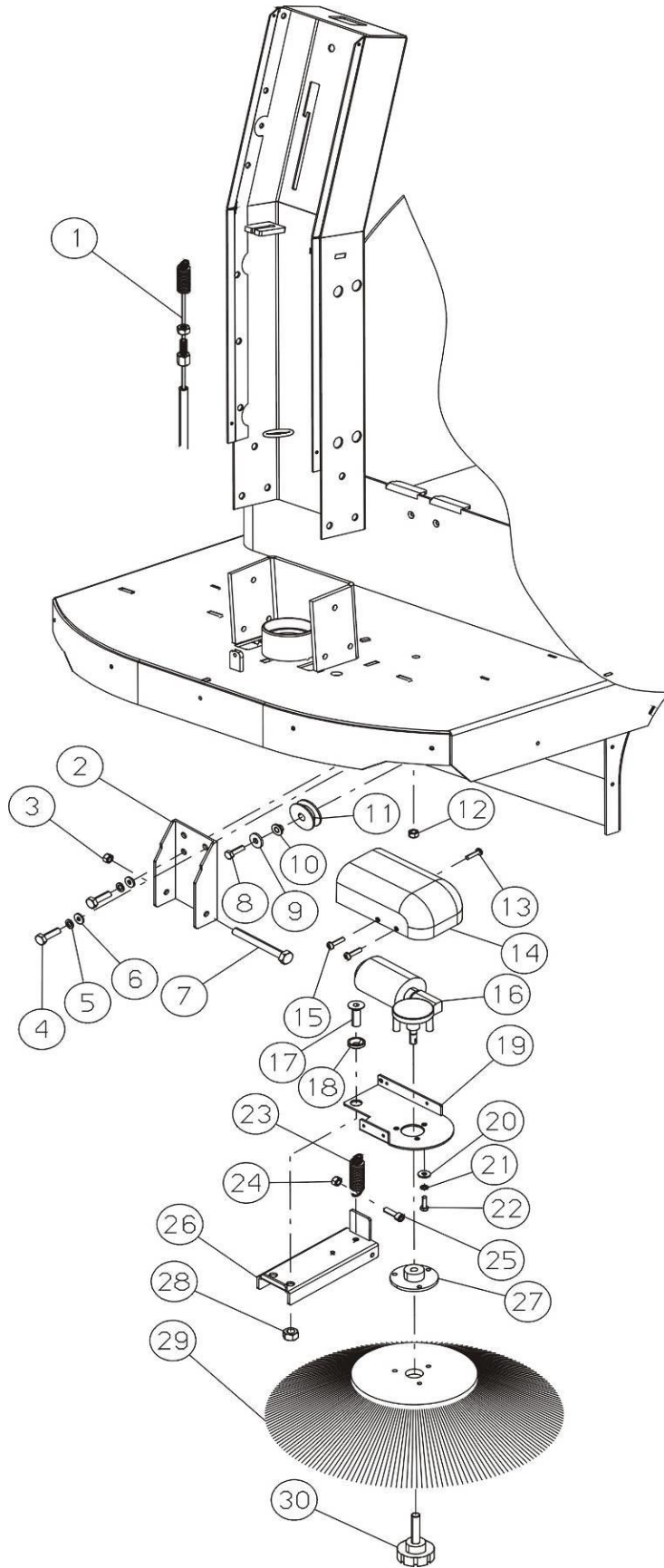


Figure 4

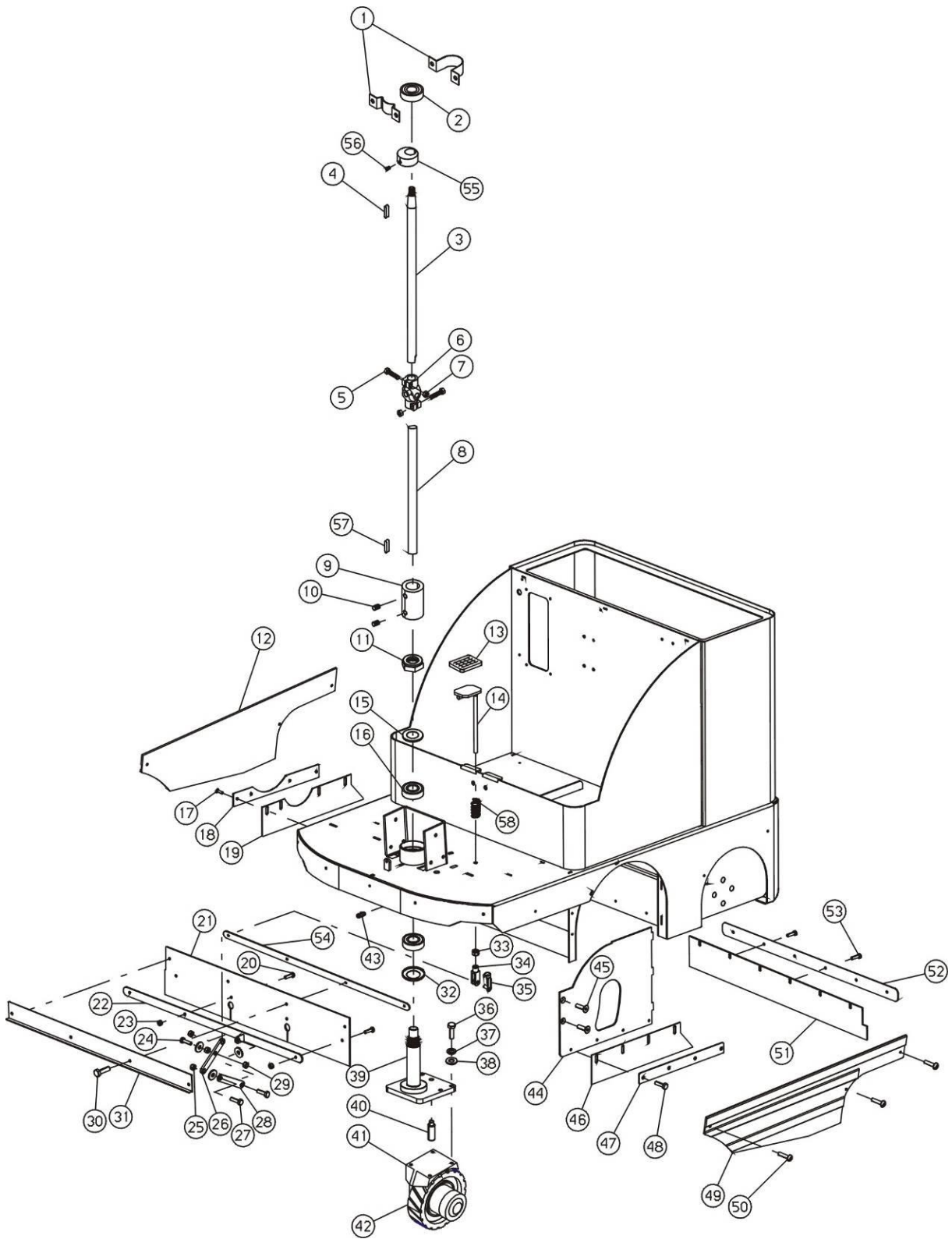


Figure 5

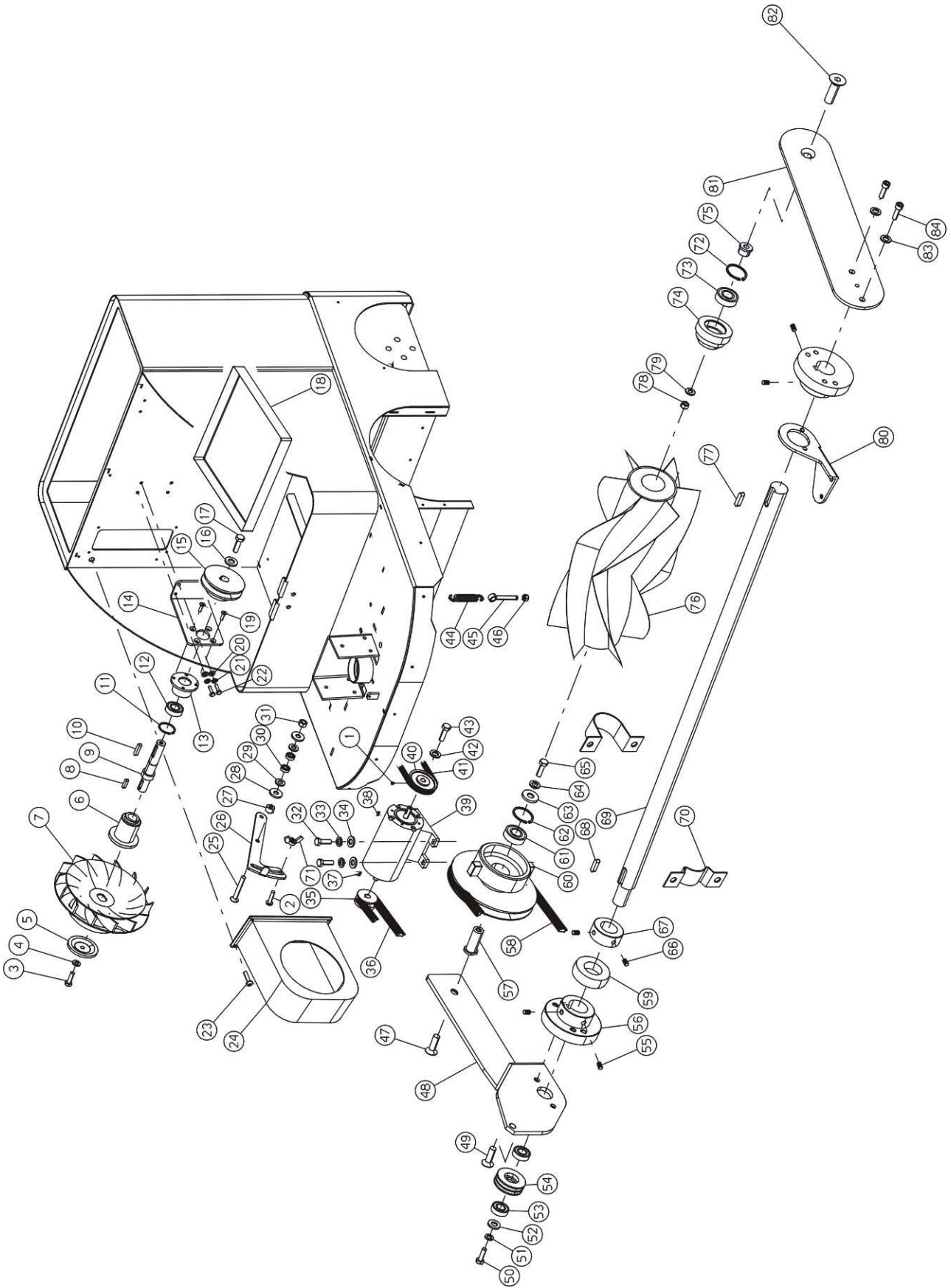


Figure 6

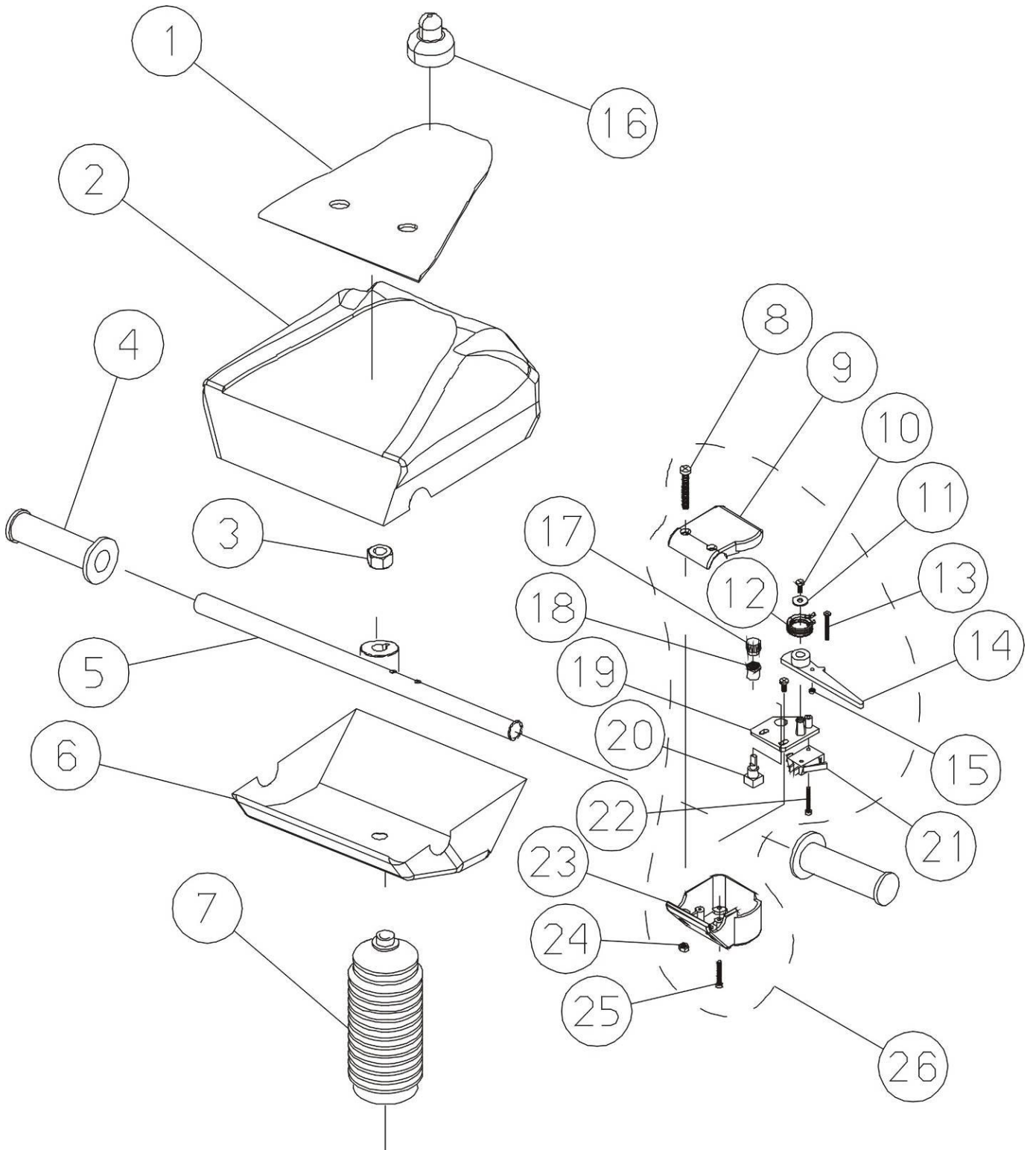
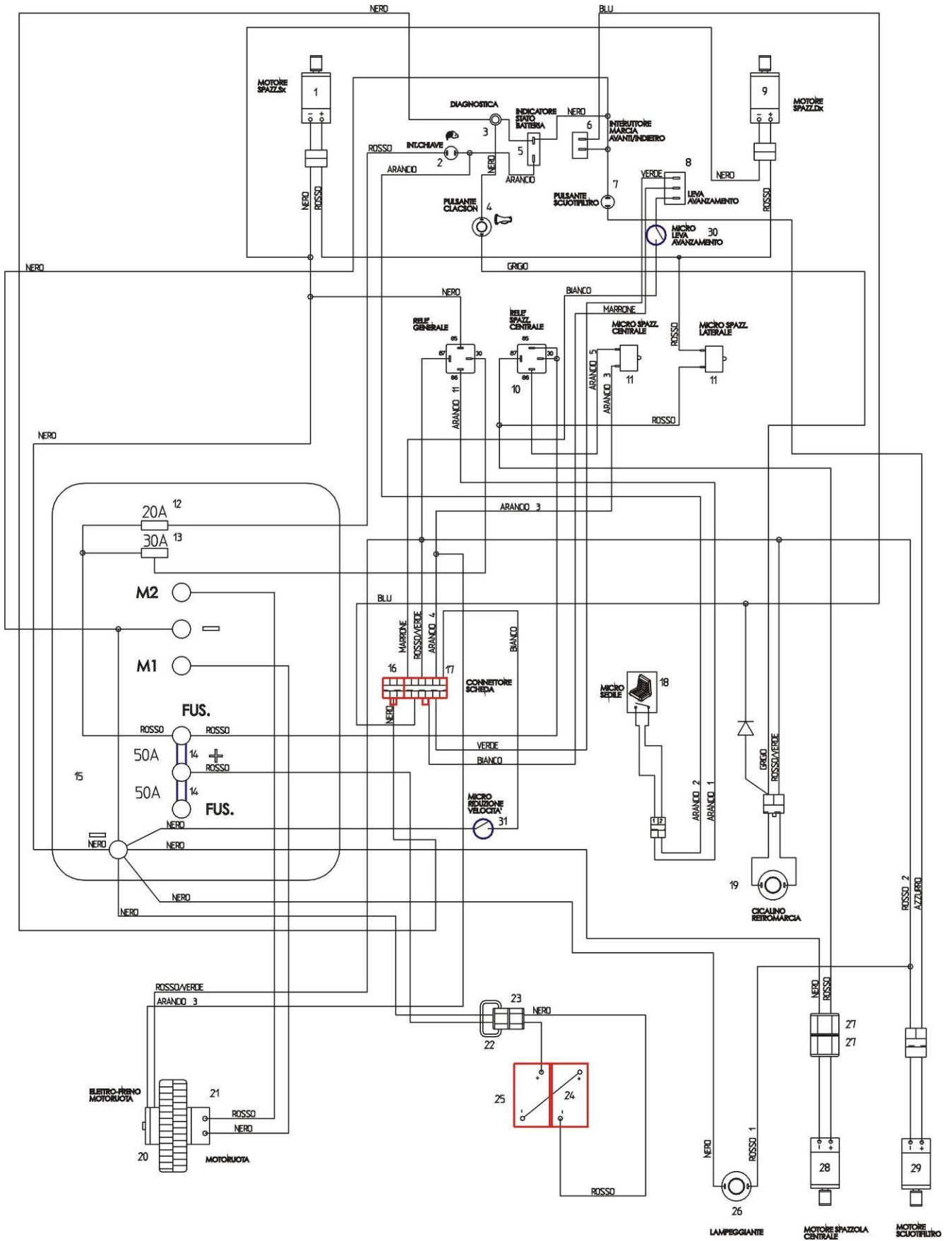


Figure 7



Reference	Part Number	Quantity	Description
Figure 1 001	318508	1	SEAT
Figure 1 002	311319	4	CUP-HEADED BOLT
Figure 1 003	319802	4	WASHER D.8
Figure 1 004	315104	1	FLASHLIGHT LAMP 12/24
Figure 1 005	314203	1	SEAT SUPPORT CASE
Figure 1 006	318507	8	SCREW
Figure 1 007	314507	2	BODY HINGE
Figure 1 008	318563	1	SEAT SUPPORT
Figure 1 009	311313	1	BELT
Figure 1 010	314510	1	HOOK
Figure 1 011	315005	2	KNOB
Figure 1 012	319815	2	WASHER
Figure 1 013	315002	2	KNOB
Figure 1 014	318513	2	HEXAGONAL SCREW
Figure 1 015	318519	2	SCREW
Figure 1 016	318205	2	LEVER SPACER
Figure 1 017	315114	2	SIDE BRUSH LEVER
Figure 1 018	315708	2	SELF-LOCKING NUT
Figure 1 019	315707	2	SELF-LOCKING NUT
Figure 1 020	314201	1	FRONT CASE
Figure 1 021	316706	2	SIDE BRUSHES PIN
Figure 1 022	318523	5	SCREW
Figure 1 023	317501	2	BRAKE WIRE REGULATOR
Figure 1 024	312407	1	SIDE BRUSH CABLE
Figure 1 025	312408	1	MAIN BRUSH CABLE
Figure 1 026	314202	1	CASE
Figure 1 027	313803	4	FAIRLEAD
Figure 1 028	316901	1	SIDE BRUSH PULLEY
Figure 1 029	311108	1	PULLEY BUSH
Figure 1 030	319802	1	WASHER D.8
Figure 1 031	318505	1	HEXAGONAL SCREW
Figure 1 032	311207	1	FRONT BUMPER
Figure 1 033	318520	5	SCREW
Figure 1 034	319802	5	WASHER D.8
Figure 1 035	315708	1	SELF-LOCKING NUT
Figure 1 036	318518	6	SCREW
Figure 1 037	313201	1	MAIN FRAME
Figure 1 038	318504	2	HEXAGONAL SCREW
Figure 1 039	319803	2	WASHER
Figure 1 040	311316	1	BELT SUPPORT BRACKET
Figure 1 041	318555	4	COUNTERSUNK SCREW
Figure 1 042	316702	2	WHEEL PIN
Figure 1 043	319704	2	REAR WHEEL
Figure 1 044	319810	2	WASHER
Figure 1 045	319813	2	WASHER
Figure 1 046	318513	2	HEXAGONAL SCREW
Figure 1 047	314508	1	RECOVERY TANK HOOK
Figure 1 048	318524	2	SCREW
Figure 1 049	310805	1	RECOVERY TANK SHEET

Figure 1	050	313403	1	GASKET
Figure 1	051	314509	1	ADJUST. GALV. HOOK
Figure 1	052	315707	2	SELF-LOCKING NUT
Figure 1	053	319803	4	WASHER
Figure 1	054	318556	2	SCREW
Figure 1	055	319703	2	WHEEL
Figure 1	056	318505	2	HEXAGONAL SCREW
Figure 1	057	315708	2	SELF-LOCKING NUT
Figure 1	058	313905	1	HANDLE
Figure 1	059	318507	4	SCREW
Figure 2	001	313903	2	FILTERS COVER HANDLE
Figure 2	002	312310	1	SUCTION FILTERS COVER
Figure 2	003	313404	1	ADHESIVE GASKET
Figure 2	004	319809	4	WASHER
Figure 2	005	311317	4	CHEESE BOLT
Figure 2	006	318521	2	SCREW
Figure 2	007	312311	1	ENGINE COVER
Figure 2	008	315004	2	KNOB
Figure 2	009	318548	8	COUNTERSUNK SCREW
Figure 2	010	310810	1	FILTER SHAKER SHEET
Figure 2	011	315204	1	FILTER-SHAKER MOTOR
Figure 2	012	313310	3	CARTRIDGE FILTER
Figure 2	013	313405	1	ADHESIVE GASKET
Figure 2	014	313402	3	FILTER GASKET
Figure 2	015	317402	2	TIE ROD
Figure 2	016	318504	4	HEXAGONAL SCREW
Figure 2	017	319802	2	WASHER D.8
Figure 2	018	310809	1	FILTERS SUPPORT SHEET
Figure 2	019	315708	2	SELF-LOCKING NUT
Figure 2	020	313802	1	FAIRLEAD
Figure 2	021	318502	1	SCREW
Figure 2	022	312319	1	PROTECTION CASE
Figure 2	023	318502	2	SCREW
Figure 2	024	313501	1	GEAR REDUCTION
Figure 2	025	318551	1	COUNTERSUNK SCREW
Figure 2	026	311106	1	SIDE BRUSH BUSH
Figure 2	027	318564	1	RIGHT SIDE BRUSH SUPPORT
Figure 2	028	319803	3	WASHER
Figure 2	029	319801	3	WASHER
Figure 2	030	318504	3	HEXAGONAL SCREW
Figure 2	031	315707	1	SELF-LOCKING NUT
Figure 2	032	316101	1	BRUSH SUPPORT PLATE
Figure 2	033	318511	1	HEXAGONAL SCREW
Figure 2	034	319803	2	WASHER
Figure 2	035	319801	2	WASHER
Figure 2	036	318504	2	HEXAGONAL SCREW
Figure 2	037	318301	1	SPRING
Figure 2	038	311309	1	CHEESE BOLT
Figure 2	039	318510	1	ENGINE SUPPORT
Figure 2	040	315717	1	SELF-LOCKING NUT
Figure 2	041	310901	1	SIDE BRUSH

Figure 2	042	315718	1	NYLON RING NUT
Figure 2	043	315003	1	KNOB
Figure 2	044	313303	1	FLANGE
Figure 2	045	319819	2	WASHER
Figure 2	046	312316	3	PROTECTION RUBBER
Figure 3	01	312407	1	SIDE BRUSH CABLE
Figure 3	02	316101	1	BRUSH SUPPORT PLATE
Figure 3	03	315707	1	SELF-LOCKING NUT
Figure 3	04	318504	2	HEXAGONAL SCREW
Figure 3	05	319801	2	WASHER
Figure 3	06	319803	2	WASHER
Figure 3	07	318511	1	HEXAGONAL SCREW
Figure 3	08	318505	1	HEXAGONAL SCREW
Figure 3	09	319802	1	WASHER D.8
Figure 3	10	311108	1	PULLEY BUSH
Figure 3	11	316901	1	SIDE BRUSH PULLEY
Figure 3	12	315715	1	SELFLOCKING NUT
Figure 3	13	318502	1	SCREW
Figure 3	14	314206	1	ENGIN CASE
Figure 3	15	318502	2	SCREW
Figure 3	16	313502	1	GEAR REDUCTION
Figure 3	17	318551	1	COUNTERSUNK SCREW
Figure 3	18	311106	1	SIDE BRUSH BUSH
Figure 3	19	318566	1	LEFT SIDE BRUSH SUPPORT
Figure 3	20	319803	3	WASHER
Figure 3	21	319801	3	WASHER
Figure 3	22	318504	3	HEXAGONAL SCREW
Figure 3	23	318301	1	SPRING
Figure 3	24	315715	1	SELFLOCKING NUT
Figure 3	25	311309	1	CHEESE BOLT
Figure 3	26	318510	1	ENGINE SUPPORT
Figure 3	27	313303	1	FLANGE
Figure 3	28	315717	1	SELF-LOCKING NUT
Figure 3	29	310901	1	SIDE BRUSH
Figure 3	30	315003	1	KNOB
Figure 4	01+02	311107	1	BUSH + BEARING SUPPORT
Figure 4	003	317704	1	STEERING WHEEL SHAFT
Figure 4	004	319201	1	TONGUE
Figure 4	005	318512	2	HEXAGONAL SCREW
Figure 4	006	314902	1	STEERING JOINT
Figure 4	007	315708	2	SELF-LOCKING NUT
Figure 4	008	317705	1	LOWER SHAFT
Figure 4	009	318204	1	SHAFT SPACER
Figure 4	010	312702	2	DOWEL
Figure 4	011	315712	1	SELF-LOCKING RING NUT
Figure 4	012	314205	1	RIGHT SIDE CASE
Figure 4	013	312320	1	PEDAL COVER
Figure 4	014	315115	1	FLAP PEDAL LEVER
Figure 4	015	312317	1	PROTECTION
Figure 4	016	311311	2	BEARING
Figure 4	017	318546	4	SCREW M5x12

Figure 4	018	315108	1	RIGHT SIDE LISTEL
Figure 4	019	310701	1	RIGHT BLADE
Figure 4	020	318503	4	HEXAGONAL SCREW
Figure 4	021	310703	1	FRONT BLADE
Figure 4	022	315109	1	FRONT FLAP LISTEL
Figure 4	023	315716	4	SELF-LOCKING NUT
Figure 4	024	318512	1	HEXAGONAL SCREW
Figure 4	025	315708	2	SELF-LOCKING NUT
Figure 4	026	315116	1	SHORT LEVER
Figure 4	027	318505	2	HEXAGONAL SCREW
Figure 4	028	315117	1	LONG LEVER
Figure 4	029	315708	2	SELF-LOCKING NUT
Figure 4	030	318503	4	HEXAGONAL SCREW
Figure 4	031	315106	1	FRONT LISTEL
Figure 4	032	312318	1	DUST COVER
Figure 4	033	315710	1	NUT
Figure 4	034	313309	1	FORK
Figure 4	035	312105	1	CLIPS
Figure 4	036	318505	4	HEXAGONAL SCREW
Figure 4	037	319813	4	WASHER
Figure 4	038	319802	4	WASHER D.8
Figure 4	039	318574	1	DRIVING WHEEL SUPPORT
Figure 4	040	316705	1	PIN
Figure 4	041	319705	1	DRIVING WHEEL
Figure 4	042	319706	1	TYRE
Figure 4	043	313801	1	GREASER
Figure 4	044	310806	1	SHEET
Figure 4	045	318546	2	SCREW M5x12
Figure 4	046	310704	1	LEFT BLADE
Figure 4	047	315105	1	LEFT LISTEL
Figure 4	048	318503	4	HEXAGONAL SCREW
Figure 4	049	314204	1	LEFT CASE
Figure 4	050	318517	6	SCREW
Figure 4	051	310702	1	REAR BLADE
Figure 4	052	315107	1	REAR LISTEL
Figure 4	053	318503	4	HEXAGONAL SCREW
Figure 4	054	315110	1	FLAP LISTEL
Figure 4	055	311401	1	CAM
Figure 4	056	312701	1	DOWEL
Figure 4	057	319205	1	TONGUE
Figure 4	058	318305	1	SPRING
Figure 5	001	312704	2	DOWEL M5X10
Figure 5	002	318522	1	SCREW
Figure 5	003	318559	1	SCREW
Figure 5	004	319812	1	WASHER
Figure 5	005	319820	1	WASHER
Figure 5	006	316701	1	SUCTION FAN PIN
Figure 5	007	313002	1	SUCTION FAN
Figure 5	008	319201	1	TONGUE
Figure 5	009	316703	1	SUCTION FAN PIN
Figure 5	010	319202	1	TONGUE

Figure 5 011	312101	1	RING
Figure 5 012	311307	2	ROLL BEARING
Figure 5 013	318565	1	BEARINGS SUPPORT
Figure 5 014	310803	1	FAN SUPPORT SHEET
Figure 5 015	316905	1	FAN PULLEY
Figure 5 016	319812	1	WASHER
Figure 5 017	318503	1	HEXAGONAL SCREW
Figure 5 018	318601	1	BATTERY TANK
Figure 5 019	318554	4	COUNTERSUNK SCREW
Figure 5 020	319804	4	WASHER D6
Figure 5 021	319801	4	WASHER
Figure 5 022	318503	4	HEXAGONAL SCREW
Figure 5 023	318502	4	SCREW
Figure 5 024	312424	1	SUCTION FAN CONVEYOR
Figure 5 025	318553	1	COUNTERSUNK SCREW
Figure 5 026	310808	1	TIGHTENER SHEET
Figure 5 027	318203	1	SPACER
Figure 5 028	319818	2	WASHER 8X32
Figure 5 029	319805	2	WASHER
Figure 5 030	311310	2	BEARING
Figure 5 031	315708	1	SELF-LOCKING NUT
Figure 5 032	311318	4	HEXAGONAL-HEADED BOLT
Figure 5 033	319801	4	WASHER
Figure 5 034	319804	4	WASHER D6
Figure 5 035	316906	1	MAIN BRUSH ENGINE PUL
Figure 5 036	311320	1	MAIN BRUSH ENGINE BEL
Figure 5 037	319204	1	TONGUE 4X4X10
Figure 5 038	319201	1	TONGUE
Figure 5 039	312901	1	ENGINE
Figure 5 040	316904	1	MAIN BRUSH ENGINE PUL
Figure 5 041	311314	1	BELT
Figure 5 042	319811	2	WASHER
Figure 5 043	318558	2	HEXAGONAL SCREW
Figure 5 044	318301	1	SPRING
Figure 5 045	317401	1	ZINC-PLATED TIE ROD
Figure 5 046	315713	1	STAINLESS STEEL NUT
Figure 5 047	318550	1	COUNTERSUNK SCREW
Figure 5 048	315113	1	MAIN BRUSH LEVER
Figure 5 049	318549	2	COUNTERSUNK SCREW
Figure 5 050	318561	1	HEXAGONAL SCREW
Figure 5 051	319801	1	WASHER
Figure 5 052	319804	1	WASHER D6
Figure 5 053	311307	2	ROLL BEARING
Figure 5 054	316902	1	TRANSMISSION PULLEY
Figure 5 055	312701	2	DOWEL
Figure 5 056	313305	2	SHAFT FLANGE
Figure 5 057	316704	1	PIN
Figure 5 058	311315	1	BELT
Figure 5 059+070	311107	2	BUSH + BEARING SUPPORT
Figure 5 060	313304	1	FLANGE
Figure 5 061	311307	2	ROLL BEARING

Figure 5 062	312101	2	RING
Figure 5 063	319805	1	WASHER
Figure 5 064	319801	1	WASHER
Figure 5 065	318560	1	SCREW
Figure 5 066	312704	4	DOWEL M5X10
Figure 5 067	318206	2	SPACER
Figure 5 068	319203	1	TONGUE
Figure 5 069	317706	1	MAIN BRUSH SHAFT
Figure 5 070+059	311107	2	BUSH + BEARING SUPPORT
Figure 5 071	315719	1	NUT M6 UNI 5448/71
Figure 5 072	317601	1	O-RING
Figure 5 073	311321	1	ROLL BERAING
Figure 5 074	316903	1	MAIN BRUSH PULLEY
Figure 5 075	311105	1	PULLEY BUSH
Figure 5 076	310902	1	MAIN BRUSH
Figure 5 077	319203	1	TONGUE
Figure 5 078	315708	2	SELF-LOCKING NUT
Figure 5 079	319805	2	WASHER
Figure 5 080	310807	1	SHEET
Figure 5 081	310804	1	BRUSH ARM SHEET
Figure 5 082	318552	2	COUNTERSUNK SCREW
Figure 5 083	319801	2	WASHER
Figure 5 084	318507	2	SCREW
Figure 6 001	315118	1	DASHBOARD STICKER
Figure 6 002	312312	1	DASHBOARD COVER
Figure 6 003	315711	1	NUT
Figure 6 004	315001	2	KNOB
Figure 6 005	313904	1	HANDLE
Figure 6 006	312313	1	DASHBOARD COVER
Figure 6 007	311312	1	BELLOWS
Figure 6 008	318557	2	SCREW
Figure 6 009	312308	1	UPPER COVER
Figure 6 010	318514	1	SCREW
Figure 6 011	319814	1	WASHER
Figure 6 012	318304	1	SPRING
Figure 6 013	318515	1	SCREW
Figure 6 014	315112	1	PLASTIC LEVER
Figure 6 015	315709	1	NUT
Figure 6 016	311501	1	CAP
Figure 6 017	313503	1	PLASTIC GEAR
Figure 6 018	311103	1	BUSH
Figure 6 019	318562	1	SUPPORT
Figure 6 020	312904	1	POTENTIOMETER
Figure 6 021	318506	1	MICRO SWITCH
Figure 6 022	318547	2	COUNTERSUNK SCREW
Figure 6 023	312309	1	LOWER COVER
Figure 6 024	315714	2	NUT
Figure 6 025	318516	2	SCREW
Figure 6 026	315010	1	FEED LEVER KIT
Figure 7 001	313502	1	GEAR REDUCTION
Figure 7 002	318573	1	KEY SWITCH

Figure 7 003	312903	1	RED LED
Figure 7 004	311308	1	BLACK BUTTON
Figure 7 005	315601	1	AMPEROMETER
Figure 7 006	318571	1	SWITCH
Figure 7 007	311308	1	BLACK BUTTON
Figure 7 008	318506	1	MICRO SWITCH
Figure 7 009	313501	1	GEAR REDUCTION
Figure 7 010	312905	1	RELAY 24V
Figure 7 011	318572	2	MICRO SWITCH
Figure 7 012	313307	1	20A FUSE
Figure 7 013	313306	1	30A FUSE
Figure 7 014	313308	2	FUSE 50A
Figure 7 015	312902	1	ELECTRONIC CARD
Figure 7 016	312418	1	6-POLE-MINIFIT
Figure 7 017	312417	1	12-POLE-MINIFIT
Figure 7 018	318508	1	SEAT
Figure 7 019	314511	1	REVERSE BLEEPER
Figure 7 020	311322	1	ELECTROBRKE
Figure 7 021	319705	1	DRIVING WHEEL
Figure 7 022	313906	1	HANDLE
Figure 7 023	312719	2	BATTERY CHARGER PLUG
Figure 7 024	312123	1	BATTERY CONNECT.CABLE
Figure 7 025	311306	1	BATTERY
Figure 7 026	315104	1	FLASHLIGHT LAMP 12/24
Figure 7 027	312420	2	BATTERY CHARGE PLUG
Figure 7 028	312901	1	ENGINE
Figure 7 029	315204	1	FILTER-SHAKER MOTOR
Figure 7 030	318506	1	MICRO SWITCH
Figure 7 031	318570	1	MICROSWITCH AM15039